



CorePro LEDspot LV



CorePro LED spot ND 2.9-20W MR16 827 36D

CorePro LEDspots are a perfect fit for spot lighting and deliver warm halogen-like light. They are compatible with most existing fixtures with MR16 GU5.3 holders and are designed as a retrofit replacement for halogen or incandescent spots. CorePro LEDspots deliver huge energy savings and minimize maintenance cost.

Product data

General Information	
Cap-Base	GU5.3
Nominal lifetime	15,000 hour(s)
Switching Cycle	50,000
Lighting Technology	LED
Flux measurement reference	Narrow Cone
CE mark	Yes
EU RoHS compliant	Yes
Light Technical	
Color Code	827 [CCT of 2700K]
Beam Angle (Nom)	36 degree(s)
Luminous Flux	230 lm
Luminous Intensity (Nom)	560 cd
Color Designation	Warm White (WW)
Correlated Color Temperature (Nom)	2700 K
Luminous Efficacy (rated) (Nom)	79.00 lm/W
Color Consistency	<6
Color rendering index (CRI)	80
LLMF At End Of Nominal Lifetime (Nom)	70 %
Luminous Flux in 90° Cone (Rated)	230 lm
Photobiological safety according to EN 62471	RG1

Operating and Electrical	
Line Frequency	- Hz
Input Frequency	- Hz
Power Consumption	2.9 W
Lamp Current (Nom)	340 mA
Wattage Equivalent	20 W
Starting Time (Nom)	0.5 s
Warm-up time to 60% light	0.5 s
Power Factor (Fraction)	0.6
Voltage (Nom)	ac electronic 12 V
Temperature	
T-Case Maximum (Nom)	75 °C
Controls and Dimming	
Dimmable	No
Mechanical and Housing	
Bulb Shape	MR16
Approval and Application	
Energy Efficiency Class	F
Suitable For Accent Lighting	Yes

CorePro LEDspot LV

Energy Consumption kWh/1000 h	3 kWh
EPREL Registration Number	421456
EyeComfort	Yes

Application Conditions

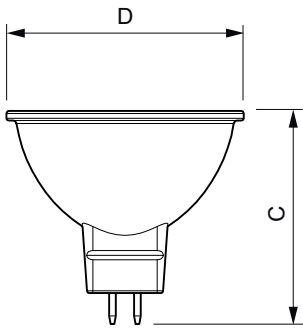
can it be used in closed luminaires	No
-------------------------------------	----

Product Data

Order product name	CorePro LED spot ND 2.9-20W MR16 827 36D
Full product name	CorePro LED spot ND 2.9-20W MR16 827 36D

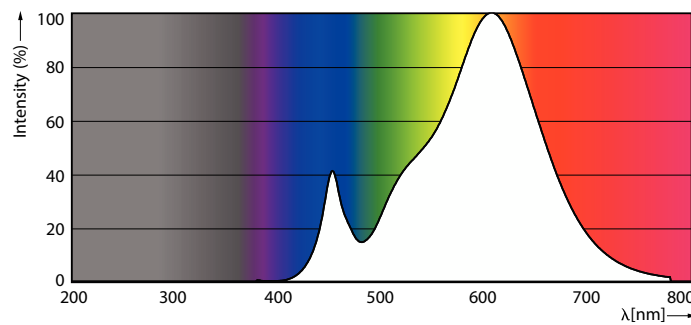
Full product code	871951430704900
Order code	929002494502
Material Nr. (12NC)	929002494502
Numerator - Quantity Per Pack	1
EAN/UPC - Product/Case	8719514307049
Numerator - Packs per outer box	10
EAN/UPC - Case	8719514307056

Dimensional drawing

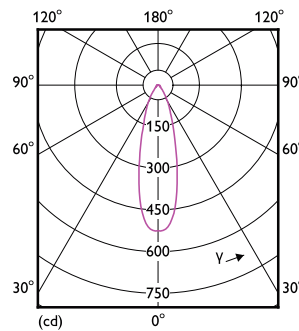


Product	D	C
CorePro LED spot ND 2.9-20W MR16 827 36D	50.5 mm	45.5 mm

Photometric data



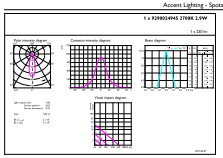
Spectral Power Distribution Colour - CorePro LED spot ND 2.9-20W MR16 827 36D



Light Distribution Diagram - CorePro LED spot ND 2.9-20W MR16 827 36D

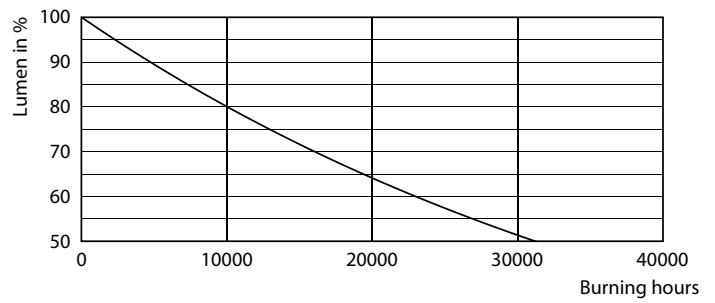
CorePro LEDspot LV

Photometric data



Accent Lighting Spots - CorePro LED spot ND 2.9-20W MR16 827 36D

Lifetime



Life Expectancy Diagram - CorePro LED spot ND 2.9-20W MR16 827 36D

Lumen Maintenance Diagram - CorePro LED spot ND 2.9-20W MR16 827 36D

