



MASTER VALUE LEDs pot LV



MAS LED SPOT VLE D 7.5-50W MR16 927 36D

Philips MASTER VALUE MR16 is the series of Low Voltage (12VAC) Halogen MR16 replacements. Not only does it employ Philips' patented solution to guarantee the broadest possible compatibility with standard 12V Halogen electronic transformers. It also delivers beam intensity which is equivalent to the 50W Philips Halogen MR16 lamps. The form-factor of Philips MASTER Value LED MR16 guarantees a 100% form on the back-side of the lamp (exact form with Halogen lamps.)

Warnings and Safety

- Operating temperature range is between -20° C and 45° C ambient
- Only to apply in dry or damp locations and most of open fixtures with lamp-holders that offer sufficient space (10 mm free air space)
- Not intended for use with emergency light fixtures or exit lights

Product data

General Information	
Cap-Base	GU5.3
Nominal lifetime	25,000 hour(s)
Switching Cycle	50,000
Lighting Technology	LED
Flux measurement reference	Narrow Cone
CE mark	Yes
EU RoHS compliant	Yes

Light Technical

Color Code	927 [CCT of 2700K]
Beam Angle (Nom)	36 degree(s)
Luminous Flux	621 lm

Luminous Intensity (Nom)	1,600 cd
Color Designation	Warm White (WW)
Correlated Color Temperature (Nom)	2700 K
Luminous Efficacy (rated) (Nom)	82 lm/W
Color Consistency	<6
Color rendering index (CRI)	90
LLMF At End Of Nominal Lifetime (Nom)	70 %
Luminous Flux in 90° Cone (Rated)	621 lm
Photobiological safety according to EN 62471	RG1

Operating and Electrical

Line Frequency	- Hz
Input Frequency	- Hz

MASTER VALUE LEDspot LV

Power Consumption	7.5 W
Lamp Current (Nom)	660 mA
Wattage Equivalent	50 W
Starting Time (Nom)	0.5 s
Warm-up time to 60% light	0.5 s
Power Factor (Fraction)	0.7
Voltage (Nom)	ac electronic 12 V

Temperature

T-Case Maximum (Nom)	95 °C
----------------------	-------

Controls and Dimming

Dimmable	Only with specific dimmers
----------	----------------------------

Mechanical and Housing

Bulb Shape	MR16
------------	------

Approval and Application

Energy Efficiency Class	F
Suitable For Accent Lighting	Yes
Energy Consumption kWh/1000 h	8 kWh

EPREL Registration Number	453180
EyeComfort	Yes

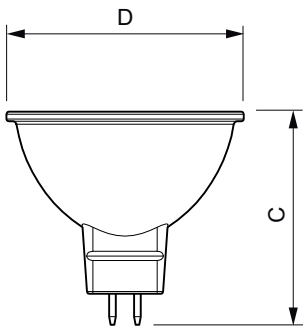
Application Conditions

can it be used in closed luminaires	No
-------------------------------------	----

Product Data

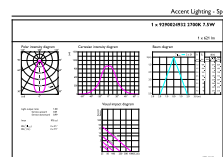
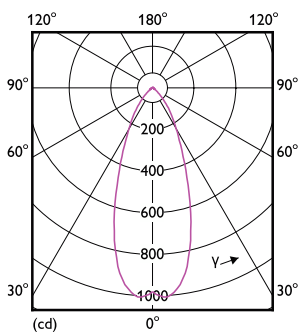
Order product name	MAS LED SPOT VLE D 7.5-50W MR16 927 36D
Full product name	MAS LED SPOT VLE D 7.5-50W MR16 927 36D
Full product code	871951430732200
Order code	929002493202
Material Nr. (12NC)	929002493202
Numerator - Quantity Per Pack	1
EAN/UPC - Product/Case	8719514307322
Numerator - Packs per outer box	10
EAN/UPC - Case	8719514307339

Dimensional drawing



Product	D	C
MAS LED SPOT VLE D 7.5-50W MR16 927 36D	50.5 mm	45.5 mm

Photometric data

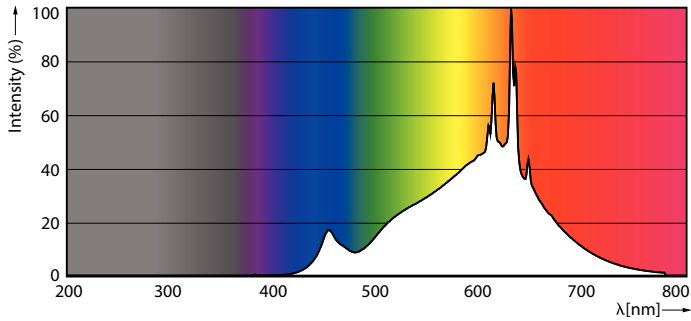


Light Distribution Diagram - MAS LED SPOT VLE D 7.5-50W MR16 927 36D

Accent Lighting Spots - MAS LED SPOT VLE D 7.5-50W MR16 927 36D

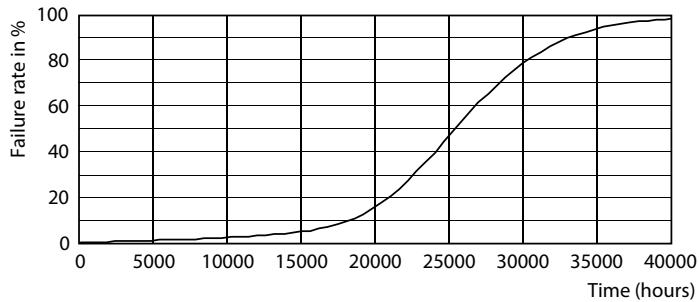
MASTER VALUE LEDspot LV

Photometric data

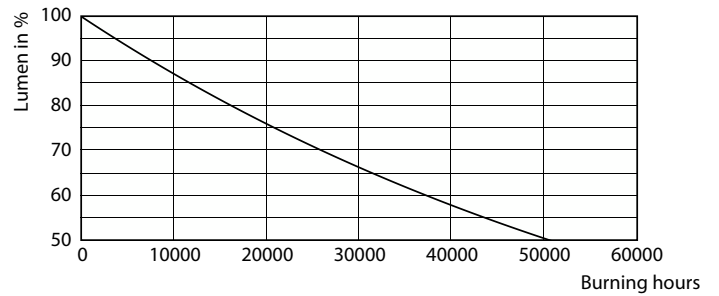


Spectral Power Distribution Colour - MAS LED SPOT VLE D 7.5-50W MR16 927 36D

Lifetime



Life Expectancy Diagram - MAS LED SPOT VLE D 7.5-50W MR16 927 36D



Lumen Maintenance Diagram - MAS LED SPOT VLE D 7.5-50W MR16 927 36D

