



CoreLine Projector gen2

ST151T LED30S/940 WB BK

38 degree(s), 940 neutral white, Power supply unit (On/Off), Black

The well-known CoreLine Projector with its latest generation has undergone important design and performance improvement, raising the bar even higher and setting a new standard for track projectors used in retail and hospitality applications.

Warnings and Safety

- The luminaire should be mounted outside of arm's reach
- The luminaire should be installed by a qualified electrician and wired in accordance with the latest IEE electrical regulations or the national requirements

Product data

General Information	
Light source replaceable	No
Number of gear units	1 unit
Driver included	Yes
Lighting Technology	LED
Value ladder	Value
CE mark	Yes
Warranty period	5 years
Flammability mark	-
ENEC mark	ENEC mark
Glow-wire test	Temperature 650 °C, duration 30 s
EU RoHS compliant	Yes

Light Technical	
Luminous Flux	3,000 lm
Saturated Red (R9)	>50
Correlated Color Temperature (Nom)	4000 K
Luminous Efficacy (rated) (Nom)	110 lm/W
Color rendering index (CRI)	>90
Flickering value (PstLM) - Flickering value as per EN 61000-3-3	1
Stroboscopic effect visibility measure (SVM)	1.6
Beam angle of light source	38 degree(s)
Light source color	940 neutral white
Optic type	Wide beam
Luminaire light beam spread	38°

CoreLine Projector gen2

Unified glare rating CEN	20
Operating and Electrical	
Input Voltage	220 to 240 V
Line Frequency	50 or 60 Hz
Initial CLO power consumption	27 W
Average CLO power consumption	27 W
Inrush current	43.8 A
Inrush time	0.0115 ms
Power Consumption	27 W
Power Factor (Fraction)	0.9
Connection	3C Track
Cable	-
Number of products on MCB of 16 A type B	30

Temperature	
Ambient temperature range	-20 to +40 °C

Controls and Dimming	
Dimmable	No
Driver/power unit/transformer	Power supply unit (On/Off)
Constant light output	No

Mechanical and Housing	
Housing Material	Aluminum
Reflector material	-
Optic material	Polycarbonate
Optical cover material	Polycarbonate
Fixation material	-
Housing Color	Black
Optical cover finish	-
Overall length	207 mm
Overall width	87 mm
Overall height	125 mm
Overall diameter	80 mm
Dimensions (Height x Width x Depth)	125 x 87 x 207 mm

Approval and Application	
Ingress protection code	IP20 [Finger-protected]
Mech. impact protection code	IK03 [0.3 J]
Sustainability rating	-
Protection class IEC	Safety class I
Photobiological risk	Photobiological risk group 0 @200mm to EN62778
Photobiological risk specification	0.2 m

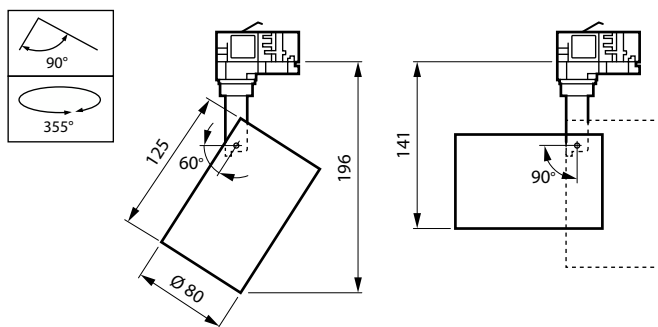
Initial Performance (IEC Compliant)	
Luminous flux tolerance	+/-10%
Initial chromaticity	(0.3837, 0.3828) SDCM <4
Power consumption tolerance	+/-10%

Over Time Performance (IEC Compliant)	
Control gear failure rate at median useful life 50000 h	0.05 %
Lumen maintenance at median useful life* 50000 h	L70

Application Conditions	
Performance ambient temperature Tq	25 °C
Maximum dim level	Not applicable
Suitable for random switching	No

Product Data	
Order product name	ST151T LED30S/940 WB BK
Full product name	ST151T LED30S/940 WB BK
Full product code	871951452860499
Order code	911401847082
Material Nr. (12NC)	911401847082
Numerator - Quantity Per Pack	1
EAN/UPC - Product/Case	8719514528604
Numerator - Packs per outer box	10
EAN/UPC - Case	8719514528680

Dimensional drawing



CoreLine Projector gen2

