



CoreLine panel

RC132V G5 36S/840 PSU W60L60 OC

CoreLine panel, 28.5 W, 600x600 mm, 3600 lm, 4000 K, UGR19

Philips CoreLine panel Gen5 delivers on the CoreLine promise of innovation, easy installation and excellent illumination. Designed as a direct replacement for functional luminaires in general lighting applications, this LED panel light's innovative MultiLumen feature offers a choice of three lumen packages in a single luminaire. This makes it easy to select the right product, gives you the flexibility respond to customer preferences on site, and means fewer product codes on stock. Installing this CoreLine RC132V LED panel is quick and easy too, thanks to a quick connector or Wieland connector. Interact Ready luminaires with integrated wireless communications are also available in this CoreLine range, ready to be used with Interact gateways, sensors and software.

Product data

General Information		Light Technical	
Light source replaceable	No	Luminous Flux	3,600 lm
Number of gear units	1 unit	Saturated Red (R9)	<50
Driver included	Yes	Correlated Color Temperature (Nom)	4000 K
Lighting Technology	LED	Luminous Efficacy (rated) (Nom)	125 lm/W
Value ladder	Performance	Color rendering index (CRI)	≥80
CE mark	Yes	Flickering value (PstLM) - Flickering value as per EN 61000-3-3	1
Warranty period	5 years	Stroboscopic effect visibility measure (SVM)	0.4
Flammability mark	For mounting on normally flammable surfaces	Light source color	840 neutral white
ENEC mark	ENEC mark	Optic type	Beam angle 90°
Glow-wire test	Temperature 650 °C, duration 30 s	Luminaire light beam spread	90°
EU RoHS compliant	Yes	Unified glare rating CEN	19

CoreLine panel

Operating and Electrical	
Input Voltage	220-240 V
Line Frequency	50 or 60 Hz
Inrush current	16 A
Inrush time	0.2 ms
Power Consumption	28.5 W
Power Factor (Fraction)	0.9
Connection	Push-in connector 3-pole
Cable	-
Number of products on MCB of 16 A type B	21
Temperature	
Ambient temperature range	-10 to +40 °C
Controls and Dimming	
Dimmable	No
Driver/power unit/transformer	Power supply unit (On/Off)
Control interface	-
Constant light output	No
Mechanical and Housing	
Housing Material	Steel
Reflector material	Acrylate
Optic material	Polystyrene
Optical cover material	Acrylate
Fixation material	-
Housing Color	White
Optical cover finish	Microprismatic lens
Overall length	595 mm
Overall width	595 mm
Overall height	62 mm
Dimensions (Height x Width x Depth)	62 x 595 x 595 mm
Approval and Application	
Ingress protection code	IP20/44 [Finger-protected; wire-protected, splash-proof]

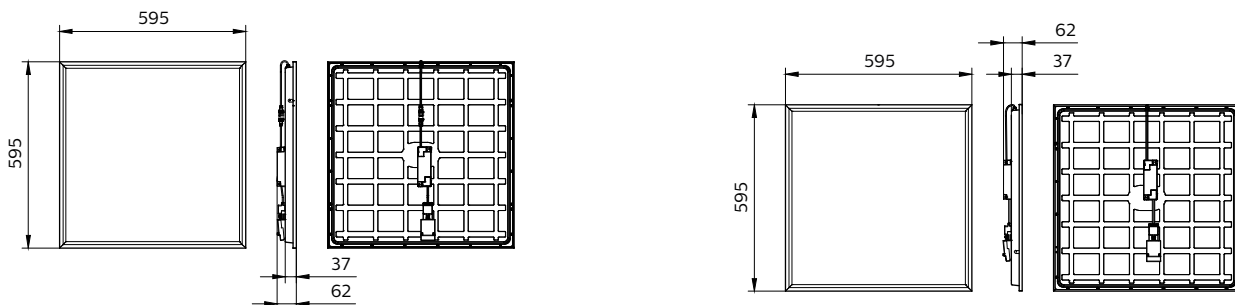
Mech. impact protection code	IK03 [0.3 J]
Sustainability rating	-
Protection class IEC	Safety class II
Photobiological risk	Photobiological risk group 0 @200mm to EN62778
Photobiological risk specification	0.2 m
Initial Performance (IEC Compliant)	
Luminous flux tolerance	+/-10%
Initial chromaticity	(0.38, 0.38) SDCM≤3
Power consumption tolerance	+/-10%

Over Time Performance (IEC Compliant)	
Control gear failure rate at median useful life 50000 h	5 %
Lumen maintenance at median useful life* 50000 h	L90
Lumen maintenance at median useful life* 100000 h	L80

Application Conditions	
Performance ambient temperature Tq	25 °C
Suitable for random switching	Yes

Product Data	
Order product name	RC132V G5 36S/840 PSU W60L60 OC
Full product name	RC132V G5 36S/840 PSU W60L60 OC
Full product code	871951495005400
Order code	911401841184
Material Nr. (12NC)	911401841184
Numerator - Quantity Per Pack	1
EAN/UPC - Product/Case	8719514950054
Numerator - Packs per outer box	1
EAN/UPC - Case	8719514950054

Dimensional drawing



CoreLine panel

