



eW Graze QLX Powercore

eW Graze QLX Powercore, 4000 K, 10° x 60° Beam Angle, 914 mm (3 ft)

eW Graze QLX Powercore, 4000 K, 10° x 60° Beam Angle, 914 mm (3 ft)

Many architectural structures need a linear fixture capable of illuminating several storeys with minimal setback and reduced power consumption. Property owners/end users need a controllable product capable of dynamic illumination to draw attention to their establishments and emphasise their brands. Graze QLX Powercore is capable of illuminating over 10 metres at very close setback distances. Powercore technology enables simple installation and long product run lengths.

Product data

General information		Operating and electrical	
Lamp family code	LED-HB [LED High Brightness]	Input Voltage	100 to 277 V
Light source colour	Neutral white	Input frequency	50 to 60 Hz
Light source replaceable	No	Controls and dimming	
Driver included	Yes	Dimmable	Yes
Optical cover/lens type	PCC [Polycarbonate bowl/cover clear]	Mechanical and housing	
Luminaire light beam spread	10° x 60°	Housing material	Extruded aluminium
Protection class IEC	Safety class I	Optical cover/lens material	Polycarbonate
CE mark	CE mark	Length	914 mm
UL mark	UL and cUL mark	Colour	Aluminium
Lifetime to 70% luminous flux	100000 h		

eW Graze QLX Powercore

Approval and application

Ingress protection code	IP66 [Dust penetration-protected, jet-proof]
Mech. impact protection code	IK10 [20 J vandal-resistant]
Vibration standard	Not compliant to ANSI C136.31, 3G. Special orders are available to conform to the standard. Please contact your Color Kinetics Lighting Sales rep for custom configurations.
FCC mark	FCC Class A
Vibration rating	Not compliant to ANSI C136.31, 3G. Special orders are available to conform to the standard. Please contact your Color Kinetics Lighting Sales rep for custom configurations.

Initial performance (IEC compliant)

Init. Corr. Colour Temperature	4000 K
Initial input power	42 W

Over time performance (IEC compliant)

Lumen Maintenance 50% at 25 °C	60000
Reported	
Lumen Maintenance 50% at 50 °C	60000
Reported	
Lumen Maintenance 70% at 25 °C	60000
Reported	

Lumen Maintenance 70% at 50 °C	60000
Reported	

Application conditions

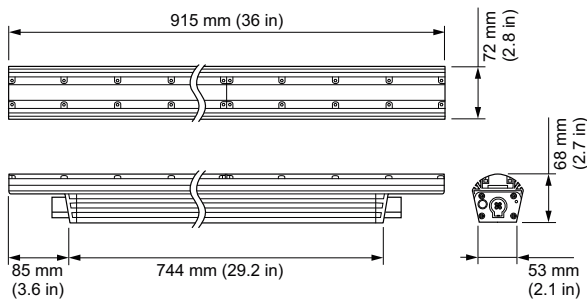
Ambient temperature range	-40 to +50 °C
---------------------------	---------------

Product data

Full product code	871829161137000
Order product name	BCS427 10x60/4000 L914
EAN/UPC – product	8718291611370
Order code	523-000081-34
SAP numerator – quantity per pack	1
Numerator – packs per outer box	1
SAP material	910503703781
Net Weight (Piece)	3.800 kg
Commercial Code	523-000081-34
Catalogue number description	eW Graze QLX Powercore, 4000 K, 10° x 60° Beam Angle, 914 mm (3 ft)



Dimensional drawing



BCS427 10x60/4000 L914

