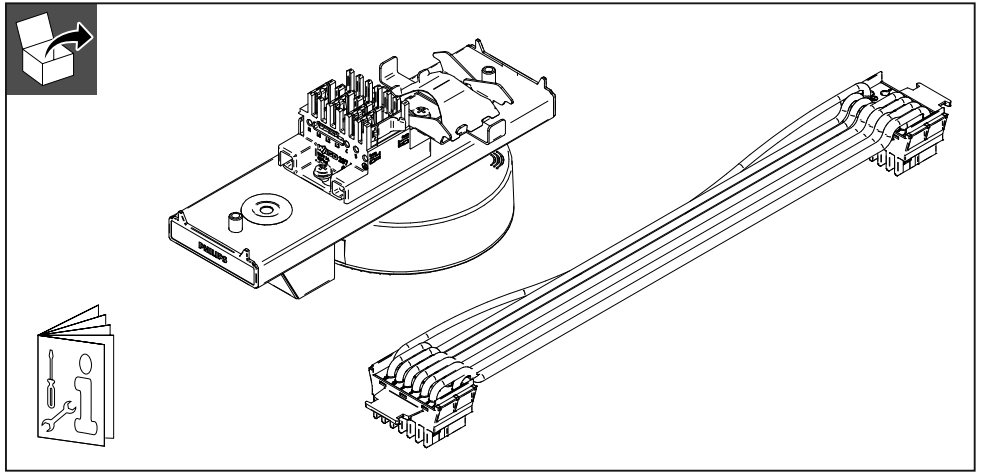


PHILIPS

Maxos Fusion

LL500E Gen2



50Hz
60Hz

220V
240V



LEDs

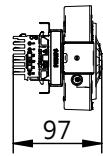
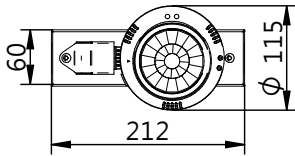
Max.
35 °C
Min.
-20 °C

IP20
LL500T

IK02

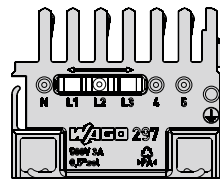


LL500E H4 Gen2

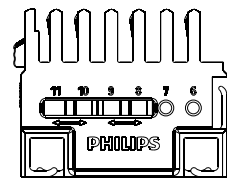


kg
0,6

FRONT SIDE

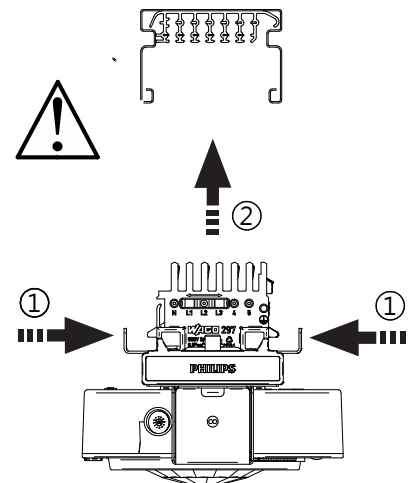
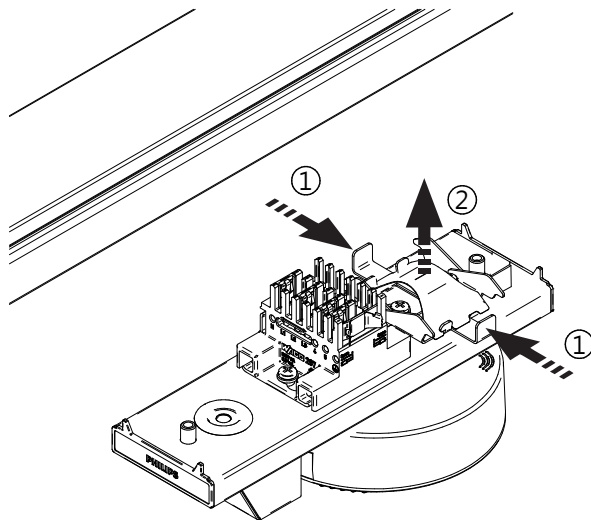
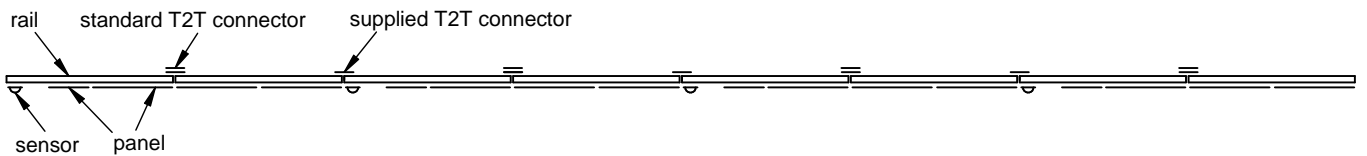


BACK SIDE



	PE	N	FRONT SIDE					BACK SIDE					Trunk Compatibility				
			L1	L2	L3	4	5	6	7	8	9	10	11	LL...T7...	LL...T9...	LL...T13...	
LL500E H4 Gen2	PE					SR+	SR-								✓	✓	✓

- for use with SR drivers
- one sensor can support Max 4 drivers. DALI line needs to be interrupted after max 4 drivers
- use the supplied T2T connector to electrically separate group of 1 sensor + 4 drivers with another group along the line



442710472830
2023-03-07
© Signify Holding
All rights reserved

