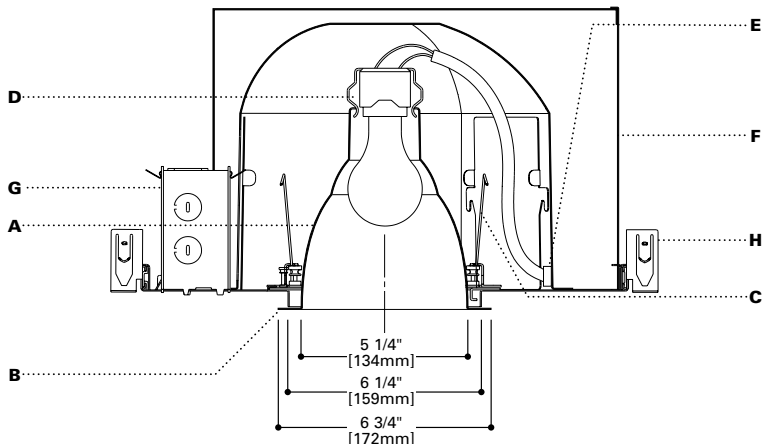


DESCRIPTION

Specification grade A lamp fixture rated for direct contact with insulation. The 50° cutoff to lamp and lamp image provides a glare-free, smooth, medium beam distribution. Soft white lamps rec-

ommended. **Lamp module and optical element can be changed after installation to provide a variety of lamp sources and distributions. e.g. into a PAR36 Adjustable.**



SPECIFICATION FEATURES

A... Reflector

.040 thick aluminum spun reflector available in iridescent free Clear, Gold, Haze, Warm Haze, or black Alzak®, or painted gloss white finish. Special cone colors listed below.

B... Flange

Self flange reflector or die-cast flange with either matte white or clear coat finish. Die-cast flanges are easily removed for field painting. Elements are keyed for proper insertion.

C... Attachment

Positive torsion springs pull flange tight to ceiling. Mechanical light trap eliminates spill light at edge of flange or reflector.

D... Socket

Nickel plated porcelain socket. Fixed socket height ensures consistent lamp position.

E... Electrical

Keyed quick connect provides easy lamp module installation.

F... Frame/Housing

Hot dipped galvanized 20 gauge steel frame with built in 1/2 inch plaster lip. Gunsights allow for consistent alignment. Aluminum .032 thick housing allows for heat dissipation and reduces weight. Matte black housing interior.

G... Junction Box

18 cubic inches, listed for 4#12 AWG or 6#14 AWG 90° C additional feed through conductors, has six 1/2 inch pryouts.

H... Bar Hangers

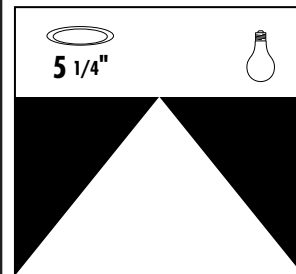
No Flex® bar hangers with positive locking, for use with wood, engineered wood and steel frame joists spaced up to 24" O.C. ship with platform. For use in T-bar ceilings order accessory MBCLP clips. Nailless barb and locator lip provide consistent installation height.

Codes

Thermally protected, IP labeled, for use in direct contact with insulation. Meets Washington State Air tight requirements, 1995 CABO Model Energy Code.

Labels

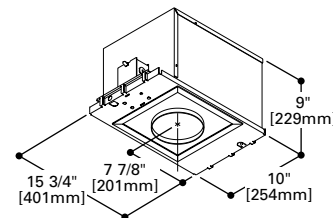
UL and cUL listed, standard damp label, IBEW union made.



**P5
M120
E5A19**

**100W A19
100W BT15
100W MB19
90W TB19
Incandescent**

5" DOWNLIGHT



Ceiling Cutout
6 1/4" (159mm)

ORDERING INFORMATION

Complete unit consists of a platform, module and element

Platform	Module	Optical Element	Finish	Flange	Accessories	
P5	M120	E5A19=5" A Lamp Downlight Reflector	<p>Standard B=Black C=Clear H=Haze G=Gold WMH=Warm Haze W=Gloss White MW=Matte White</p> <p>Custom K=Cognac KH=Cognac Haze CC=Chocolate</p>	<p>Custom Cont'd CCH=Chocolate Haze BU=Blush BUH=Blush Haze GP=Graphite GPH=Graphite Haze PN=Pine PNH=Pine Haze SK=Sky SKH=Sky Haze</p>	<p>Blank=White Die-cast SF=Self Flange RAW=Natural Die-cast SFWF=Self Flange Painted White</p>	<p>MBCLP=40 Push On T Bar Clips (for 10 Units) PLE5=Plaster Lip Extension for Max 2" Thick Ceiling FMC5= Flush Mount Collar</p>

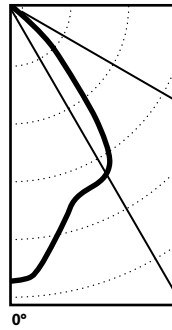
PHOTOMETRICS

P5-M120-E5A19C

Test No. H36062
 Lamp: 100A19/IF
 Lumens: 1720
 Cutoff: 50°
 Spacing: 1.0
 Efficiency: 70.9%
 Unit LPW: 12.2

Candelas	
Vertical Angle	CD
90	0
85	0
75	0
65	0
55	0
45	201
35	598
25	784
15	842
5	1049
0	1102

Distribution



Luminance	
Degree	cd/m ²
85°	0
75°	0
65°	0
55°	0
45°	20346

Cone of Light

Distance to Illuminated Plane	Initial Nadir Footcandles	Beam Diameter
4'6"	54	6'0"
5'6"	36	7'0"
6'6"	26	8'6"
8'0"	17	10'6"
10'0"	11	13'0"
12'0"	8	15'6"

Lamp Wattage Multiplier
 75W x 0.68
 60W x 0.50

Zonal Lumen Summary

Zone	Lumens	%Lamp	%Luminaire
0-30	699	40.6	57.2
0-40	1060	61.6	86.7
0-60	1220	71.0	99.8
0-90	1222	71.1	100.0
90-180	0	0.0	0.0
0-180	1222	71.1	100.0

Coefficient of Utilization

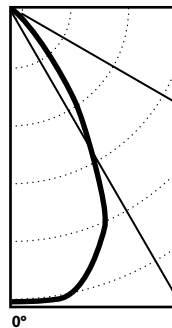
Ceiling Reflectance	80%					70%		50%		30%		0%
	70	50	30	10	50	10	50	10	50	10	0	
Room Cavity Ratio	0	85	85	85	85	83	83	79	79	76	76	71
1	81	79	77	76	77	75	75	72	72	70	70	67
2	77	74	71	69	73	68	71	67	68	65	65	63
3	74	69	66	63	68	63	67	62	65	61	61	59
4	70	65	61	59	64	58	63	58	61	57	57	55
5	67	61	57	54	60	54	59	53	58	53	53	51
6	63	57	53	50	57	50	56	50	55	49	49	48
7	60	53	49	46	53	46	52	46	51	46	46	44
8	56	50	45	43	49	42	48	42	48	42	42	41
9	53	46	42	39	46	39	45	39	44	39	39	38
10	50	43	39	36	43	36	42	36	41	36	36	35

P5-M120-E5A19C

Test No. H36098
 Lamp: 100BT15/
 HAL/SW
 Lumens: 1880
 Cutoff: 50°
 Spacing: 0.9
 Efficiency: 57.3%
 Unit LPW: 10.8

Candelas	
Vertical Angle	CD
90	0
85	0
75	0
65	1
55	2
45	145
35	418
25	760
15	953
5	1075
0	1078

Distribution



Luminance	
Degree	cd/m ²
85°	0
75°	0
65°	169
55°	250
45°	14677

Cone of Light

Distance to Illuminated Plane	Initial Nadir Footcandles	Beam Diameter
4'6"	53	4'6"
5'6"	36	5'6"
6'6"	26	6'0"
8'0"	17	7'6"
10'0"	11	9'6"
12'0"	8	11'6"

Lamp Wattage Multiplier
 75W x 0.70

Zonal Lumen Summary

Zone	Lumens	%Lamp	%Luminaire
0-30	717	38.1	66.5
0-40	975	51.8	90.4
0-60	1077	57.3	99.9
0-90	1078	57.3	100.0
90-180	0	0.0	0.0
0-180	1078	57.3	100.0

Coefficient of Utilization

Ceiling Reflectance	80%					70%		50%		30%		0%
	70	50	30	10	50	10	50	10	50	10	0	
Room Cavity Ratio	0	68	68	68	68	67	67	64	64	61	61	57
1	65	64	63	62	63	61	61	59	58	57	57	54
2	63	60	58	57	59	56	58	55	56	54	54	52
3	60	57	55	53	56	52	55	51	53	51	49	49
4	58	54	51	49	53	49	52	48	51	48	48	46
5	55	51	48	46	50	46	49	45	48	45	44	44
6	53	48	45	43	48	43	47	43	46	42	41	41
7	50	45	42	40	45	40	44	40	44	40	39	39
8	48	43	40	37	42	37	42	37	41	37	36	36
9	45	40	37	35	40	35	39	35	39	35	34	34
10	43	38	35	33	38	33	37	33	37	32	32	32

Notes and Formulas:

Luminance: To convert cd/m² to footlamberts, multiply by 0.2919

Cone of Light:

- Beam diameter is to 50% of maximum footcandles, rounded to the nearest half-foot.
- Footcandle values are initial. Apply appropriate light loss factors where necessary. See page 64-65 of catalog.

CU Notes/Formulas:

- maintained illuminance = lamp lumens x CU x light loss factors / room area
- total number of luminaires = total room area x maintained illuminance / lamp lumens x CU x light loss factors
- CU data based on 20% effective floor cavity reflectance.

Note: Specifications and Dimensions subject to change without notice.

Visit our web site at www.cooperlighting.com