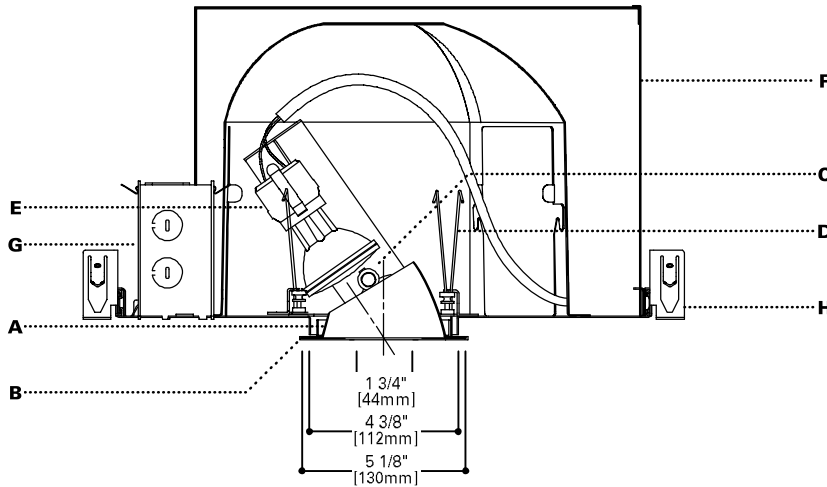


DESCRIPTION

Specification grade 50 watt PAR20 adjustable Pinhole fixture rated for direct contact with insulation. Adjustment mechanism features hot aiming capability, aiming marks and toolless locking. Pinhole minimizes aperture appearance, and reflector provides 50° cutoff to lamp and lamp image. Accommodates PAR20 lamps. **Optical element can be changed after installation to provide a variety of distributions. e.g. into a Downlight.**

tor provides 50° cutoff to lamp and lamp image. Accommodates PAR20 lamps. **Optical element can be changed after installation to provide a variety of distributions. e.g. into a Downlight.**



SPECIFICATION FEATURES

A...Reflector

.040 thick aluminum spun parabolic interior reflector in Black Alzak® finish.

B...Flange

Die-cast flange with matte white finish and 2" pinhole. Die-cast flanges are easily removed for field painting. Elements are keyed for proper insertion.

C...Adjustability

Lamp locks in 361° rotation, 35° tilt. Unit is relamped without unlocking adjustments. Translating centerbeam optics maximize light output.

D...Attachment

Positive torsion springs pull flange tight to ceiling. Mechanical light trap eliminates spill light at edge of flange or reflector.

E...Socket

Nickel plated porcelain socket. Two position socket ensures consistent lamp position.

F...Frame/Housing

Hot dipped galvanized 20 gauge steel frame with built in 1/2 inch plaster lip. Aluminum .032 thick housing allows for heat dissipation and reduces weight. Matte black housing interior.

G...Junction Box

18 cubic inches, listed for 4#12 AWG or 6#14 AWG 90° C additional feed through conductors, has six 1/2 inch pryouts.

H...Bar Hangers

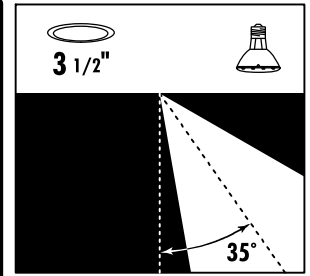
No Flex® bar hangers with positive locking, for use with joists spaced up to 24" O.C. ship with platform. For use in T-bar ceilings order accessory MBCLP. Nailless barb and locator lip provide consistent installation height.

I...Codes

Thermally protected, IP labeled, for use in direct contact with insulation. Meets Washington State Air tight requirements, 1995 CABO Model Energy Code.

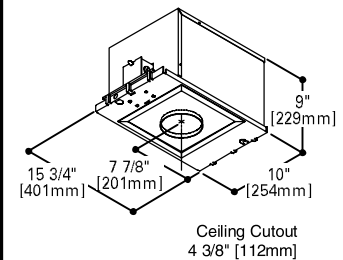
J...Labels

UL listed, CSA certified, standard damp label, IBEW union made.



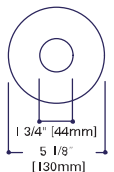
**P3120
E3PINLARGE
E3PINRD**

**50 W PAR20
3" ADJUSTABLE
PINHOLE**



Ceiling Cutout
4 3/8" [112mm]

E3PINLARGE
E3PINLARGE RAW
E3PINRD



ORDERING INFORMATION

Complete unit consists of a platform and element

Platform

P3120

P3120 = 3" Airtight IC Rated Housing

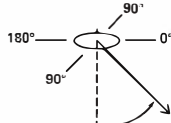
Optical Element

E3PINRD = PAR20 2" 35° Adjustable Pinhole with radius edges
E3PINLARGE= PAR20 2" 35° Adjustable Pinole

Accessories

MBCLP = 40 Push On T Bar Clips (for 10 Units)
PLE3 = Plaster Lip Extension for Max 2" Thick Ceiling
FMC3= Flush Mount Collar

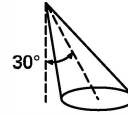
PHOTOMETRICS



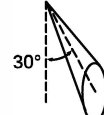
Luminance
cd/m² @ Maximum Tilt



0° Aiming Angle
Horizontal Footcandles



30° Aiming Angle
Horizontal Footcandles



30° Aiming Angle
Vertical Footcandles

Lamp	Luminance cd/m ² @ Maximum Tilt			0° Aiming Angle Horizontal Footcandles				30° Aiming Angle Horizontal Footcandles					30° Aiming Angle Vertical Footcandles					
	Degree	@ 180°	@ 90°	D	FC	L	W	D	FC	L	W	CB	D	FC	L	W	CB	
GE 50PAR20/H/SP10																		
Lumens: 570	85°	0	0	6'	157	0.9	0.9	6'	95	1.4	1.0	3.5	2'	195	1.1	0.6	3.5	
10° x 10°	75°	0	0	8'	88	1.2	1.2	8'	54	1.9	1.3	4.6	3'	86	1.6	0.9	5.2	
CBCP: 6000	65°	0	0	10'	57	1.5	1.5	10'	34	2.3	1.6	5.8	4'	49	2.2	1.2	6.9	
	55°	0	281	12'6"	36	1.9	1.9	12'6"	22	2.9	2.0	7.2	5'	31	2.7	1.5	8.7	
	45°	228	228															
								Test # H21284					Test # H21285					Test # H21285

Note: Photometrics are from P3120-E3AAC, actual performance using E3PINLARGE element will be less.

Notes and Definitions:

Luminance: To convert cd/m² to footlamberts, multiply by 0.2919

- Data is based upon bare lamps photometrics.
- Beam spread is to 50% center beam candlepower (CBCP.)

D=Distance to floor or wall.

FC=Footcandles on floor or wall at center beam aiming location.

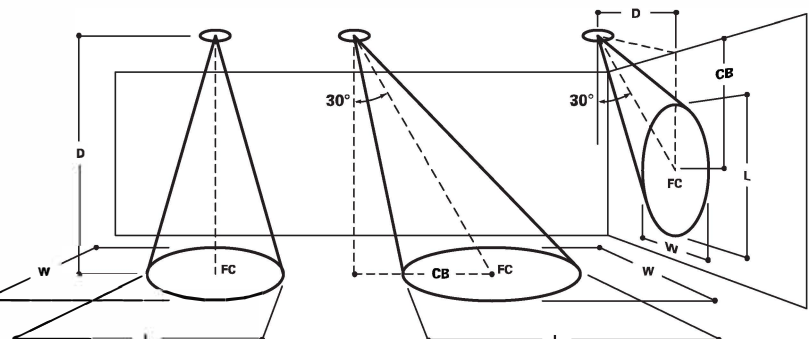
L=Effective Visual Beam length in feet (50% of maximum footcandle level.)

W=Effective Visual Beam width in feet (50% of maximum footcandle level.)

CB=Distance across or down to center beam location.

IRiS believes that bare lamp data photometrics vastly overstate the performance of adjustable accent fixtures. The "real world photometrics" shown here are from off the shelf lamps in fixtures and operated at 120.0 volts. Please see page 64 & 65 of the IRiS catalog for further discussion and appropriate correction multipliers.

The photometrics shown here are using the P3120 with a clear adjustable element.



Note: Specifications and Dimensions subject to change without notice.

Visit our web site at www.cooperlighting.com