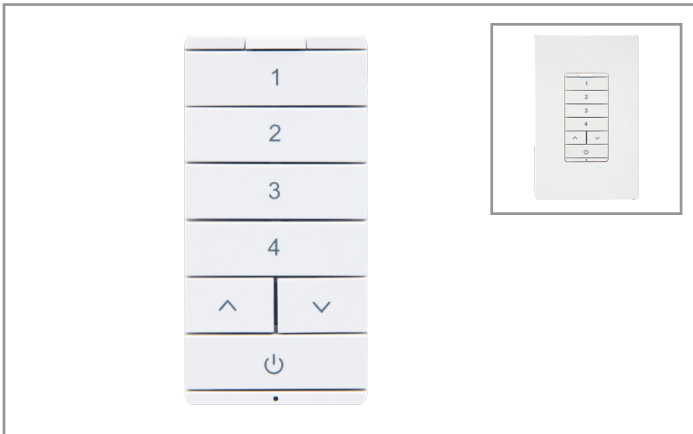


Project		Catalog #		Type	
Prepared by		Notes		Date	



HALO HOME™

Multi-Room Scene Keypad Hardwired

Multi-button controller with ON/OFF & dimming for HALO Home devices, groups or scenes.

Typical Applications

Residential, Multi-Family and Light Commercial

Interactive Menu

- Order Information [page 2](#)
- Product Specifications [page 3](#)
- Product Warranty [page 3](#)

Product Certification



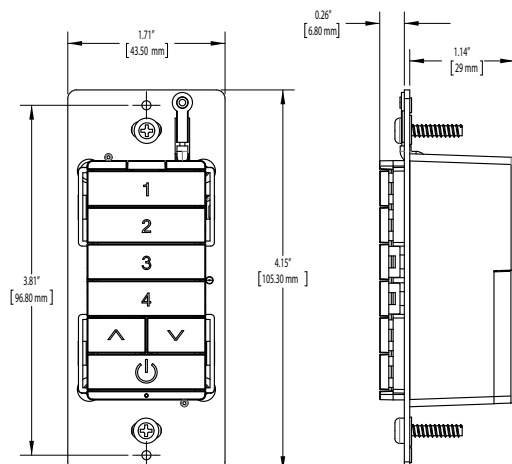
Product Features




Top Product Features

- Operates using secure Bluetooth mesh network
- Program 4 custom buttons to control devices, groups or scenes
- Control most recently activated button, with dimming and power keys
- Tap buttons once for on, twice for off
- Air-gap switch to disconnect power to connected fixtures
- Fits Decora style wallplate (sold separately)

Dimensional and Mounting Details



Order Information

Icon Key:  Configurable Product

SAMPLE ORDER NUMBER: **HIWSKA1BLE40AWH**

Models	Power Source	Generation	Radio	Finish
HIWSK = HALO HOME Multi-Room Scene Keypad	A = AC line powered 120-277VAC 50/60Hz max 5.0 Amps	1 = 1st generation	BLE40A = Bluetooth Mesh wireless control, 4.0	WH = White
Notes	Notes	Notes	Notes	Notes

Product Specifications

Wireless System

- Utilizes Bluetooth 4.1 with mesh networking topology
- Wireless range of up to 100 feet line-of-sight (LOS) between HALO Home devices and up to 33 feet LOS from smartphone/tablet to closest device.
- 2.4GHz signal frequency
- Setup groups, scenes and schedules to automate lighting with the HALO Home mobile app

Wireless Pairing

- See HALO Home Quick Start Guide for wireless setup, guidance and troubleshooting: www.cooperlighting.com

Bluetooth Mesh

- HALO Home products work better together. Smartphone(s) will need to be within range of HALO Home device to control
- Expand and strengthen the Bluetooth mesh network range by adding HALO Home devices. Learn more at www.cooperlighting.com

Features

- Turn Scenes on and off from the Scene Keypad or the free HALO Home app
- Features four scene buttons, dim-up and dim-down buttons, and an all-off button
- Works with HALO Home smart LED lights or group of lights on the same circuit with the HALO Home Smart Dimmer

Environmental

- Rated for Indoor Use only. 32°F to 104°F (0°C to 40°C) damp locations

Design Features

- Range: Up to 100 feet line of sight
- Keypad has four 6" pre-stripped wire leads for line (black), load (red), ground (green) and neutral (white)
- Air-gap switch will also disconnect power from the connected load
- Neutral wire will be required for installation
- One status LED under firmware control
- Acoustic noise will not exceed 22 dBa SPL at 1 ft

Button Functions

- Four (4) buttons control ON/OFF of devices, groups or scenes
- Tap once for ON, twice for OFF
- Dim up and down keys will control the last activated scene
- Power key will turn off last activated scene
- Double tap power key to turn off devices, groups and scenes associated with keypad

Factory Reset

- Press the 1 button - 4 times.
Press the Power/Wake up button - 4 times.
Press the 1 button - 4 more times
- The LED indicator on the unit will blink, followed by a pause and then blink again after a successful reset.

Certifications & Compliance

- cULus Listed. Complies with FCC Part 15, Class B
- Industry Canada RSS-Gen and RSS-247.
- Bluetooth Certification 4.1 or higher + Mesh networking topology
- ROHS-2

Warranty

- Five-year limited warranty, consult website for details. www.cooperlighting.com