

**DESCRIPTION**

Splay trim for use with R and PAR lamps in H5 series housings. Dual position socket support for R and PAR lamps.

<b>Catalog #</b>		<b>Type</b>
<b>Project</b>		
<b>Comments</b>		<b>Date</b>
<b>Prepared by</b>		

**DESIGN FEATURES**

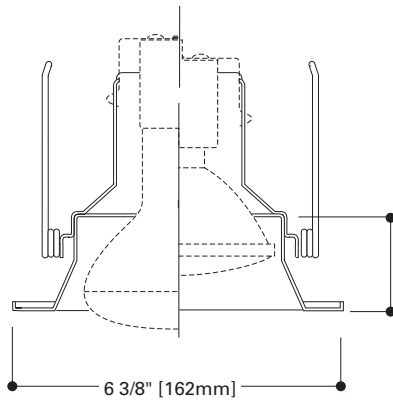
Torsion springs pull trim tight to ceiling.  
Straight sided trim ring coordinates with die cast Halo 3" and 4" trims.

**LAMP LISTINGS**

**H51CAT** 65W BR30, 75W R30, 75W PAR30  
**H5RICAT**

**H251CAT** 50W PAR30L, 50W PAR30, 60W BR30

**H5T** 75W R30, 75W PAR30,  
**H5RT** 50W R20, 50W PAR20



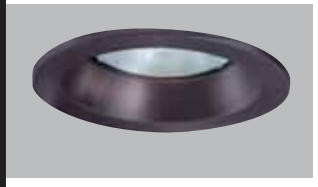
**5000P**  
White with White Splay



**5000SN**  
Satin Nickel



**5000AC**  
Antique Copper



**5000TBZ**  
Tuscan Bronze

**5000**  
5" Splay Trim

H5T-5000 50W PAR30FL 1100 Lumens			H5T-5000 50W R30FL 900 Lumens		
Dia	FC	Work Plane	FC	Dia	
3'0"	86	5'6"	15	6'0"	
4'0"	62	6'6"	11	7'0"	
5'0"	41	8'0"	7	8'0"	
6'0"	26	10'0"	5	10'0"	
7'0"	18	12'0"	3	12'0"	

Based on Bare Lamp Data  
Work Plane is 2 1/2 ft above floor  
Dia of circle is 50% of max footcandles directly under fixture

**Trim**

5000=5" Splay Trim

**Finish**

P=White Trim Ring with White Splay  
SN=Satin Nickel Trim Ring with Satin Nickel Splay  
AC=Antique Copper Trim Ring with Antique Copper Splay  
TBZ=Tuscan Bronze Trim Ring with Tuscan Bronze Splay

**Accessory**

OT500P=5" Oversize Trim Ring - White