

**DESCRIPTION**

Adjustable gimbal for use with R30 and PAR30 lamps in H5 series housings. Gimbal adjusts up to 25° from horizontal.

<b>Catalog #</b>		<b>Type</b>
<b>Project</b>		
<b>Comments</b>		<b>Date</b>
<b>Prepared by</b>		

**DESIGN FEATURES**

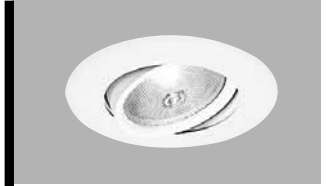
Torsion springs pull trim tight to ceiling.  
Straight sided trim ring coordinates with die cast Halo 3" and 4" trims.

**LAMP LISTINGS**

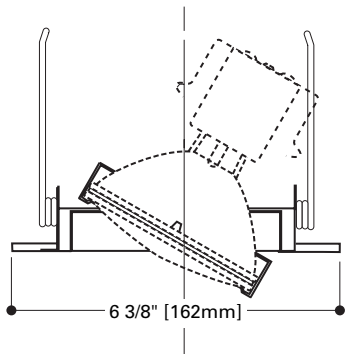
**H51CAT** 50W PAR30  
**H5RICAT**

**H251CAT** 50W PAR30, 50W R30

**H5T** 75W R30  
**H5RT**



**5060P**  
White  
**5060**  
5" Adjustable  
Gimbal



75W PAR30SP 1100 Lumens				
D	FC	L x W	S	
2	568	1 1	1	
3	252	2 2	2	
4	142	3 2	2	
5	91	3 3	3	
6	63	4 3	3	

Based on typical bare lamp data

**Trim**

5060=5" Adjustable Gimbal Trim

**Finish**

P=White Trim Ring with White Gimbal

**Accessory**

OT500P=5" Oversize Trim Ring - White

Note: Specifications and Dimensions subject to change without notice.

Visit our web site at [www.cooperlighting.com](http://www.cooperlighting.com)