

**FEATURES**

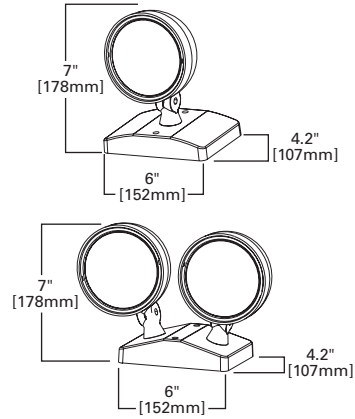
- High-impact, engineering-grade thermoplastic construction
- Reflector provides emergency lighting to the egress surface
- Must be connected to a 9.6V DC emergency battery source
- Available in both single and double head options
- Adjustable swivel

**ENERGY DATA**

See Specification Sheet for Energy Data

Compliances may not apply to all product configurations. Please consult the product spec sheet for compliance details.

**COMPLIANCES:** UL Listed, NYC Code Compliant



RF LED - REMOTE

**ORDERING INFORMATION**

Family	Number of Heads
RFLED401	1
RFLED402	2

**FEATURES**

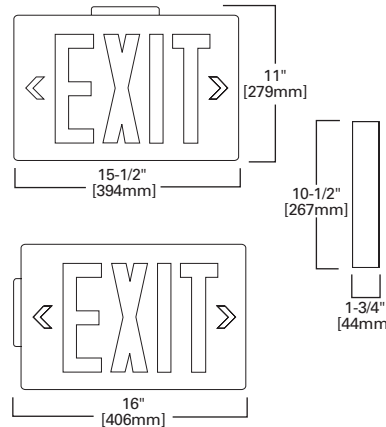
- Die-cast aluminum housing with canopy
- Brushed aluminum face
- Dual voltage input 120/277 VAC, 60Hz
- Long-life, energy-efficient LEDs
- Premium sealed nickel cadmium batteries with 15-year life expectancy
- Universal, field-selectable chevrons
- Ceiling, wall and end mounting

**ENERGY DATA**

See Specification Sheet for Energy Data

Compliances may not apply to all product configurations. Please consult the product spec sheet for compliance details.

**COMPLIANCES:** UL924 Listed; Damp Location, NYC Code Compliant



RXD - EXIT SIGN

**ORDERING INFORMATION**

**SAMPLE NUMBER:** RXDN8R1

Family	Battery	Letter Size	Letter Color	Number of Faces
RXD=Rival Die-Cast Exit	N=Self-Powered	8=8"	R=Red	1=One Face 2=Two Faces