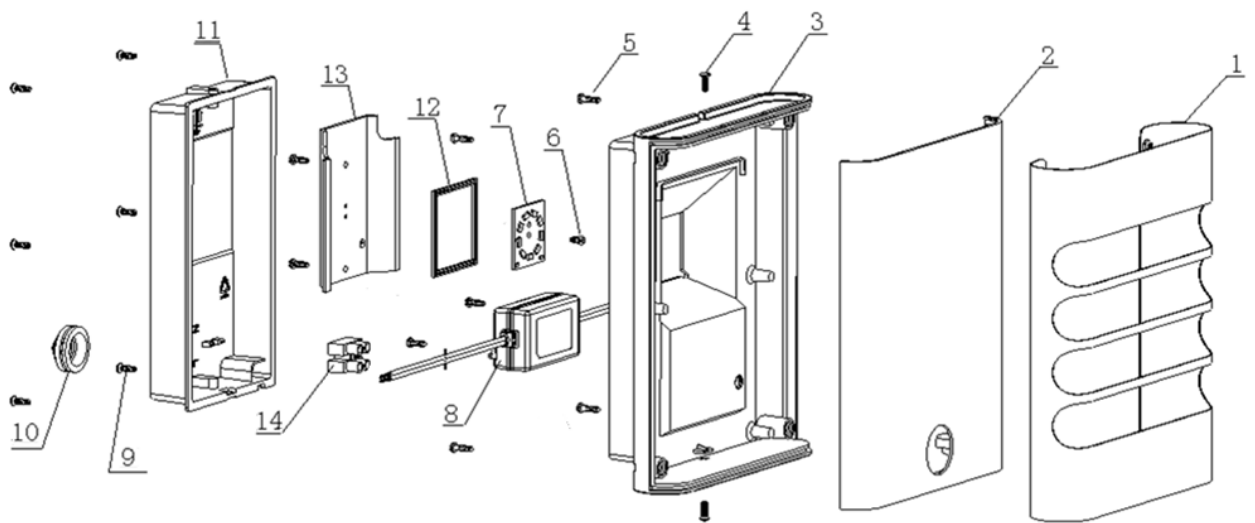


## Dismantling Recommendation on Disposal at End of Life

### Composition Explanation



No.	Components	Specifications	Unit	Quantity
1	17273F cover	SS	PCS	1
2	17273F diffuser	PC	PCS	1
3	17273F body	ABS	PCS	1
4	BT3*10 screw	SS 304	PCS	2
5	BT2.9*8 screw	Zinc coated	PCS	8
6	M3*5 screw	Zinc coated	PCS	1
7	YL20-6-8DB4W-C006		PCS	1
8	YL5W150-030P driver		PCS	1
9	BT3*16 screw	SS 304	PCS	6
10	φ27 gromet	TPE	PCS	1
11	17273F wall plate	ABS	PCS	1
12	17273F gasket	Rubber	PCS	1
13	17273F heat sink	AL	PCS	1
14	Terminal block	PA10	PCS	1

## Dismantling Recommendation on Disposal at End of Life

### Dismantling

- Type: Without permanent damage

### Recommendation on Disposal

- Plastic part: Reuse and Recycling
- Electrical part: Incineration and disposal
- Metal part: Recycling

### Light source dismantling process

