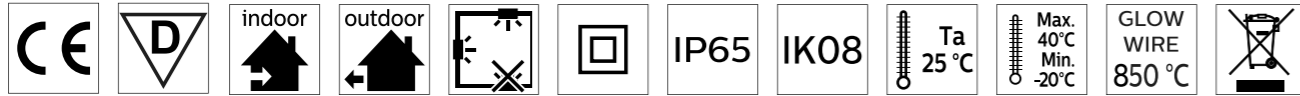
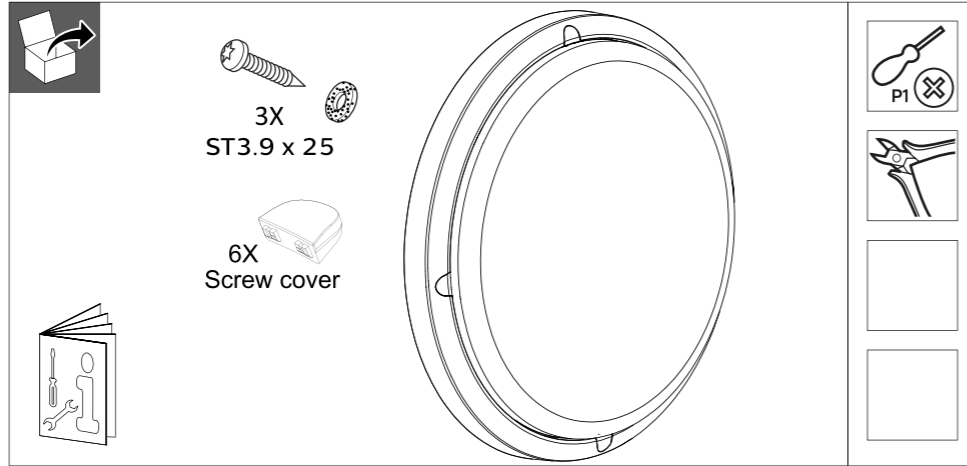


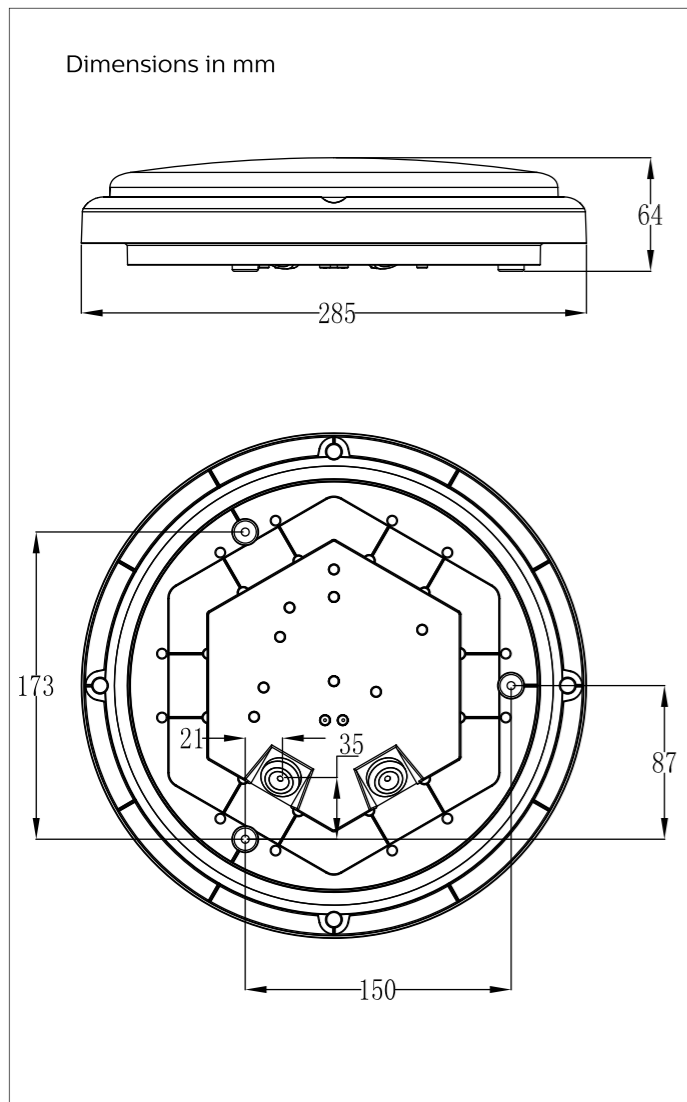
PHILIPS

Ledinaire Wall mounted

WL070V



	CCT(K)	Lumen (lm)	P(W)	Driver	Options	220V 240V	50Hz 60Hz	kg
WL070V LED11S		1100	11	NA	NA			0.58
WL070V LED17S	3000/4000	1700	17	PSU	NA	•	•	0.61
		1700	19	MDU				

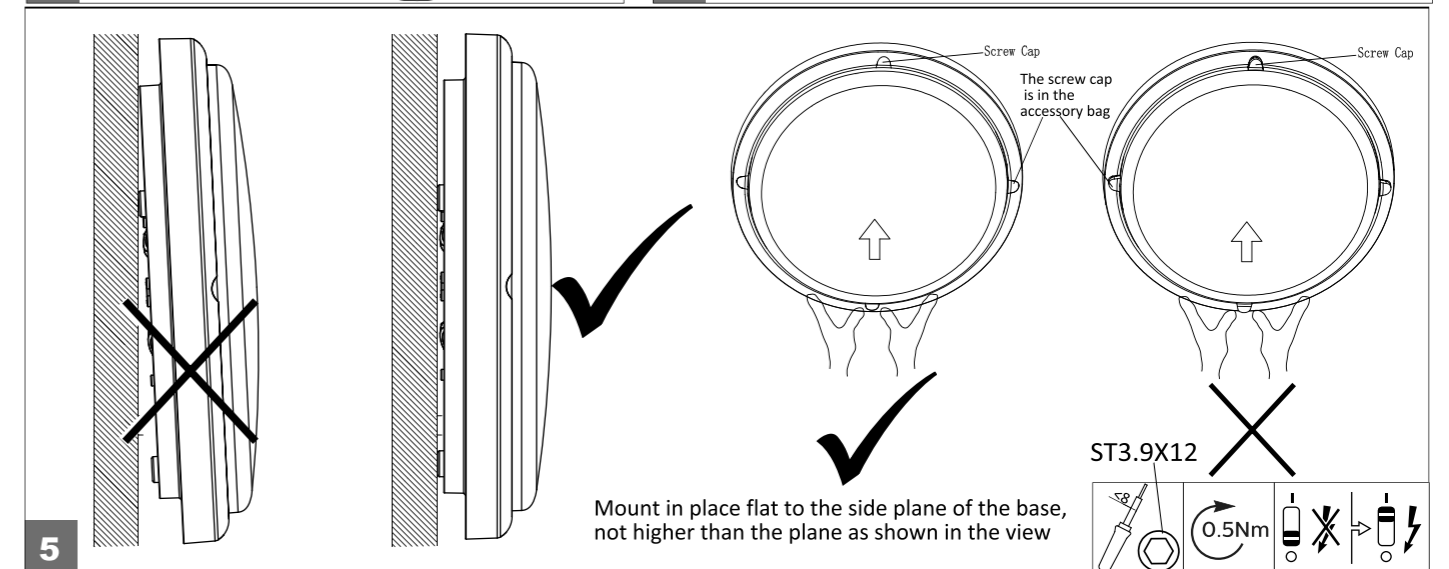
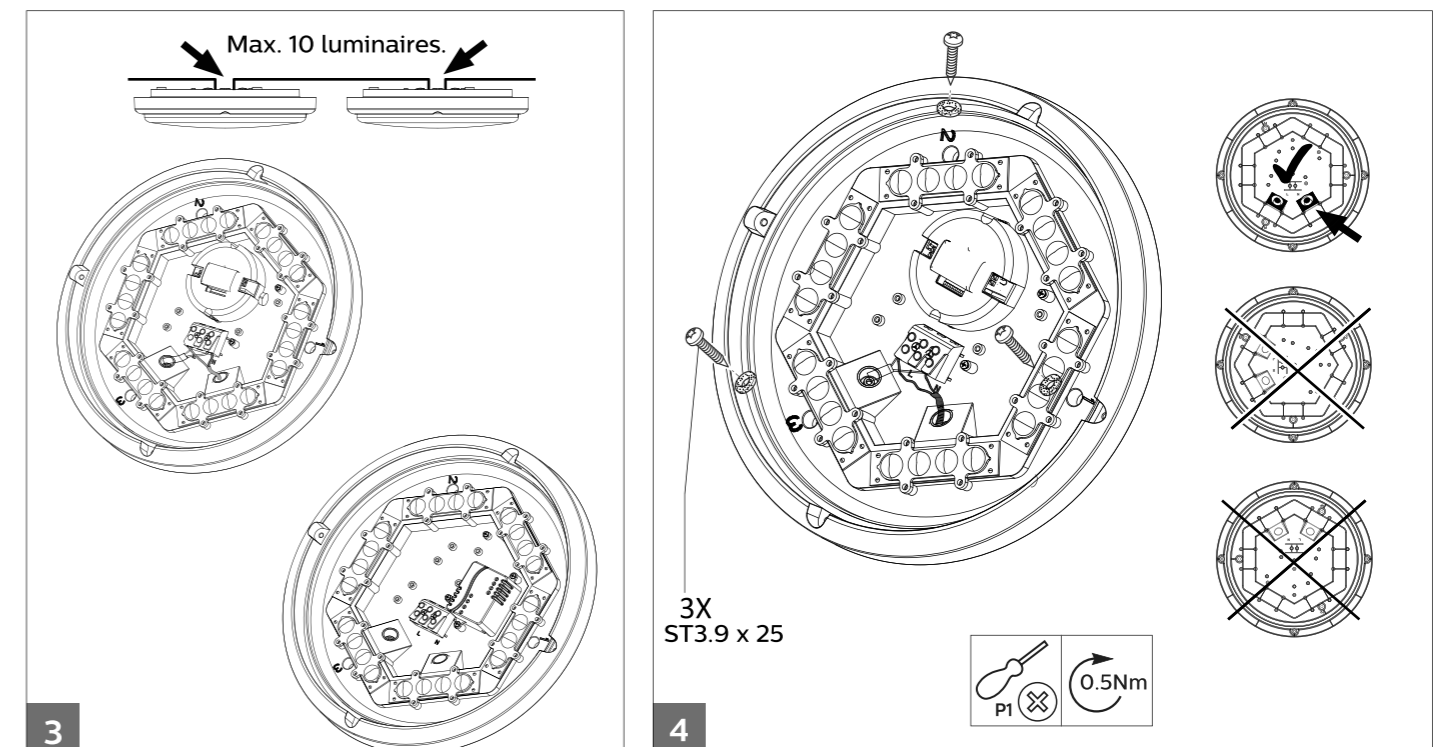
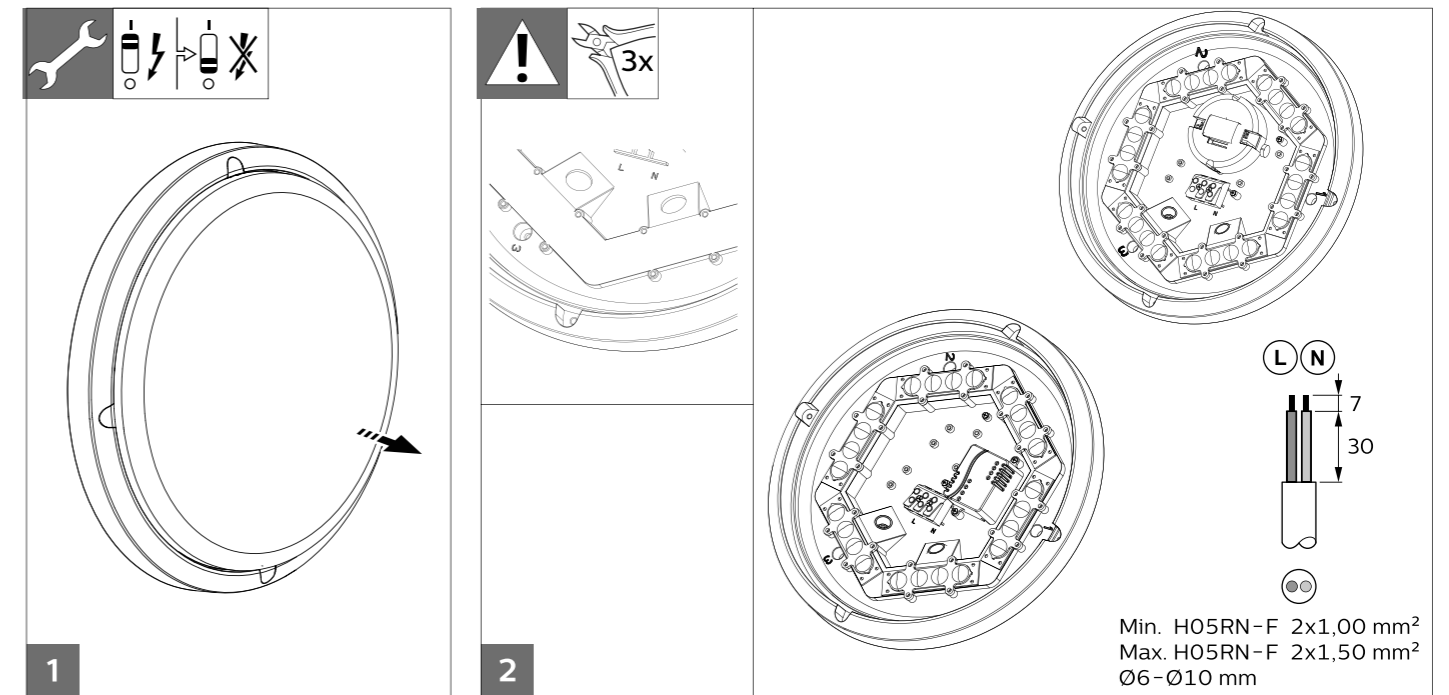


ATTENTION
OBSERVE PRECAUTIONS
FOR HANDLING
ELECTROSTATIC
SENSITIVE
DEVICES

- The luminaire shall be installed by a qualified electrician and wired in accordance with the latest IEE electrical regulations or the national requirements.
- This luminaire is not suitable for use as emergency lighting. The light source contained in this luminaire shall only be replaced by the manufacturer or his service agent or a similar qualified person.
- For use in environments where an accumulation of conductive dust on the luminaire may be expected.
- For outdoor operation at a building: only when all its cables run indoor, with a maximum distance of 10 meter

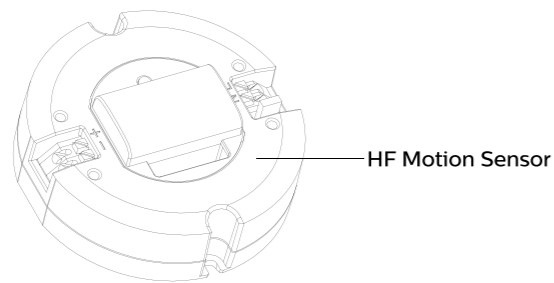
Inrush current

	LED11S	LED17S
Electrical characteristics		
I _{max} (A)	10	13
T _{ref} (μs)	1.9	2.2
MCB	Luminaires Max.	
B-10 A	22	22
B-13 A	28	28
B-16 A	35	35
C-10 A	36	36
C-13 A	46	46
C-16 A	57	57



HF Motion Sensor (For WL070V LED17S MDU only)

By selecting the combination on the DIP switch, sensor data can be precisely set for each specific application.



	1	
I	ON	100%
II	-	50%

Detection area. (default 100%) show patterns.

Detection area can be reduced by selecting the combination on the DIP switches to fit precisely each application.

	2	3	
I	ON	ON	5S
II	ON	-	1min
III	-	ON	5min
IV	-	-	10min

Hold time. (default 5 min.)

Refers to the time period the lamp remains at 100% illumination after no motion detected

	4	5	
I	ON	ON	5Lux
II	ON	-	25Lux
III	-	ON	50Lux
IV	-	-	Disable*

Daylight sensor. (default 25 lux.)

The sensor can be set to only allow the lamp to illuminate below a defined ambient brightness threshold
When set to Disable mode, the daylight sensor will switch on the lamp when motion is detected regardless of ambient light level.
50 lux: twilight operation, 5 lux: darkness operation only.

	8	
I	ON	10%
II	-	25%

Stand-by dimming level. (default 25%)

The low light level you would like to have after the hold time in the long absence of people.

	6	7	
I	ON	ON	0S
II	ON	-	1min
III	-	ON	10min
IV	-	-	+∞

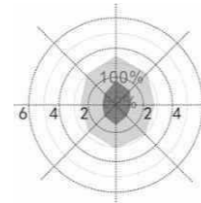
Stand-by period. (default 10 min.)

Refers to the time period the lamp remains at a low light level before it completely switches off in the long absence of people.
When set to 'VV' mode, the low light is maintained until motion is detected.

Detection area (radiation pattern)

Ceiling mounting

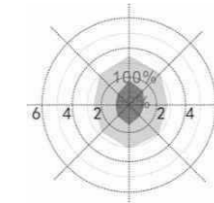
Ceiling mounted height: 3m
Sensitivity: 100%/50%



Normal moving (Speed: 1m/s)

Wall mounting:

Horizon mounted height: 2m
Sensitivity: 100%/50%



Normal moving (Speed: 1m/s)

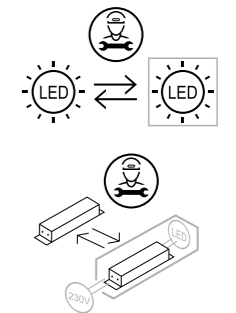
Notes:

- The Ledinaire Wall-mounted needs to be installed side-by-side in the same direction. The distance between each of the luminaires should be kept at least 3m to avoid mutual interference.
- Please pay attention to the installation environment:
 - Avoid high-density objects such as: metal, glass, concrete walls, etc., within the sensor detection area.
 - Avoid moving signals within the sensor detection area such as: fan, DC motor, sewer pipe, air outlet, heavy rainfall, motion behind a thin wall etc. This to avoid false triggers of the sensor.
 - Avoid shock & vibration in the environment of the application.
- In order to reach the common sensor distance the object move speed should be less than 1m/S. If an object moves with speed higher than 1m/s the detection distance will decrease.
- It is advised not to install a luminaire on a wooden surface. In case it must be installed on a wooden surface, the wood thickness must be more than 15cm.
- To avoid smaller detection range or abnormal operation, the Ledinaire Wall-mounted should not be installed in close distance to large areas of metal and glass (separation distance at least 1 m). Please reduce detection area setting or contact Signify to confirm the situation once the Ledinaire Wall-mounted works fails.

Ecodesign requirement

- EN This product contains a light source of energy efficiency class <D>.
- FR Ce produit contient une source lumineuse de classe d'efficacité énergétique <D>.
- BG Този продукт включва светлинен източник с клас на енергийна ефективност <D>.
- ES Este producto contiene una fuente luminosa de la clase de eficiencia energética <D>.
- CS Tento výrobek obsahuje světelný zdroj s třídou energetické účinnosti <D>.
- DA Dette produkt indeholder en lyskilde i energieeffektivitetsklasse <D>.
- DE Dieses Produkt enthält eine Lichtquelle der Energieeffizienzklasse <D>.
- ET Toode sisaldab energiatarvitusklassi <D> valgusallikat.
- EL Το προϊόν αυτό περιέχει φωτεινή πηγή της τάξης ενεργειακής απόδοσης <D>.
- HR Ovaj proizvod sadržava izvor svjetlosti klase energetske učinkovitosti <D>.
- IT Questo prodotto contiene una sorgente luminosa di classe di efficienza energetica <D>.
- LV Šis ražojums satur gaismas avotu, kura energoefektivitātes klase ir <D>.
- LT Šiame gaminyje yra šviesos šaltinis, kurio energijos vartojimo efektyvumo klasė <D>.
- HU „Ez a termék egy <D> energiahatékonysági osztályú fényforrást tartalmaz.
- MT Dan il-prodott fih sors tad-dawl tal-klassi tal-effiċjenza enerġetika <D>.
- NL Dit product bevat een lichtbron van energie-efficiëntieklasse <D>.
- PL Ten produkt zawiera źródło światła o klasie efektywności energetycznej <D>.
- PT Este produto contém uma fonte de luz da classe de eficiência energética <D>.
- RO Acest produs conține o sursă de lumină cu clasa de eficiență energetică <D>.
- SK Tento výrobok obsahuje svetelný zdroj triedy energetickej účinnosti <D>.
- SL Ta izdelek vsebuje svetlobni vir razreda energijske učinkovitosti <D>.
- FI Tämä tuote sisältää valonlähteen, jonka energiatehokkuusluokka on <D>.
- SV Denna produkt innehåller en ljuskälla med energieffektivitetsklass <D>.

LS&SCG replaceable



© 2021 Signify Holding.

All rights reserved. This document contains information relating to the product portfolio of Signify which information may be subject to change. No representation or warranty as to the accuracy or completeness of the information included herein is given and any liability for any action in reliance thereon is disclaimed. The information presented in this document is not intended as any commercial offer and does not form part of any quotation or contract. Philips and the Philips Shield Emblem are registered trademarks of Koninklijke Philips N.V.. All other trademarks are owned by Signify Holding or their respective owners.

Signify Holding,
The Netherlands

