

DESCRIPTION

Rimless adaptors for 4 and 6 inch square apertures can be field installed on select housing platforms providing means to install optical elements flush with the finished ceiling surface with a minimal visual presence. Compatible with both skim coat or traditional plaster ceiling construction.

Catalog #		Type
Project		
Comments		Date
Prepared by		

SPECIFICATION FEATURES

Mounting Frame

Die cast aluminum mounting frame installs over square aperture collar and bolts securely to housing platform rotation disc using hardware provided. Use collar for rotation and height adjustment to accurately align apertures. Accommodates 1/2" – 2" thick ceilings.

tight bond with joint compound or plaster. Alignment markings provide means to accurately orient apertures.

removed during adjustment and protects housing interior during finishing operations.

Perforated Frame

Die cast aluminum frame with a perforated overlap flange bolts securely to the mounting frame with captive machine screws and compresses the wallboard between the plaster frame reducing motion that can cause cracking. Textured white paint provides a

Mud Flange

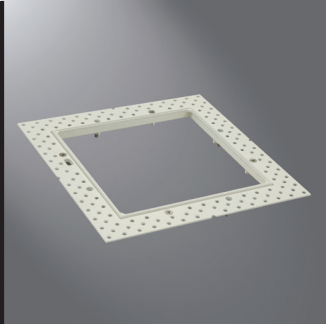
Juxtaposition of the mounting and perforated frames determine height of mud flange and can be set at 1/16", 1/8", 3/16" or 1/4" to accommodate various skim coat or plastering techniques. Height gage is visible thru window and viewable from below the fixture. Textured surface grips mud or plaster.

Gaskets

Open cell foam gaskets are applied after finishing reducing potential for damage and providing a light trap to minimize stray light.

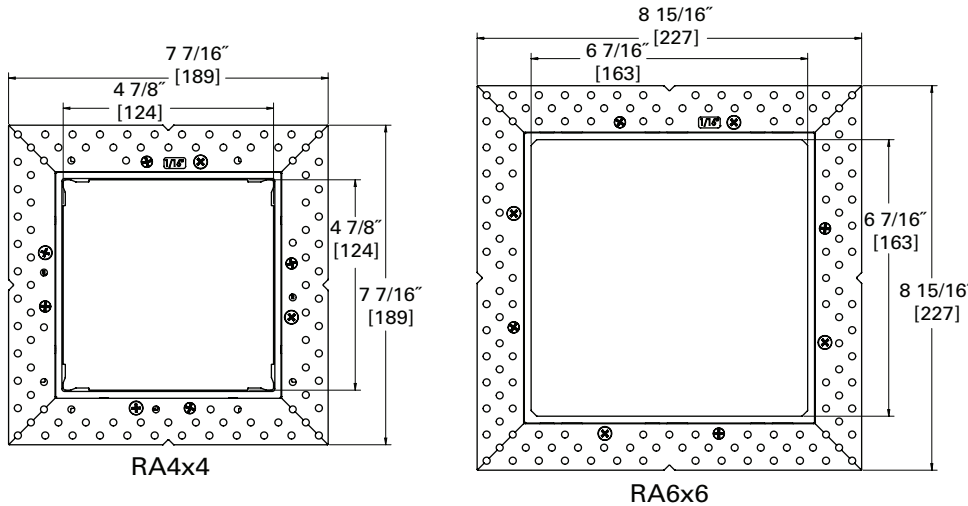
Overspray Protector

Composite cardboard and foam overspray protector can be



**RA4X4
RA6X6**

**Rimless Adapters for
4 and 6 Inch Square
Housing Platform**



ORDERING INFORMATION EXAMPLE: PN6S1H42E + E6SL2GMWRL + RA6X6 = 6" square, non IC, air tight housing platform, UNV 120/277V electronic ballast for (1) 26W DTT or 26/32/42WTTT lamp, diffuse glass lens shallow optical element, matte white finish, rimless adapter for 6" elements.



RA4X4 = Rimless adapter for 4" optical elements
RA6X6 = Rimless adapter for 6" optical elements