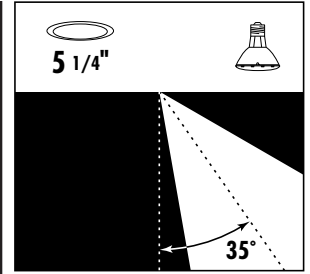
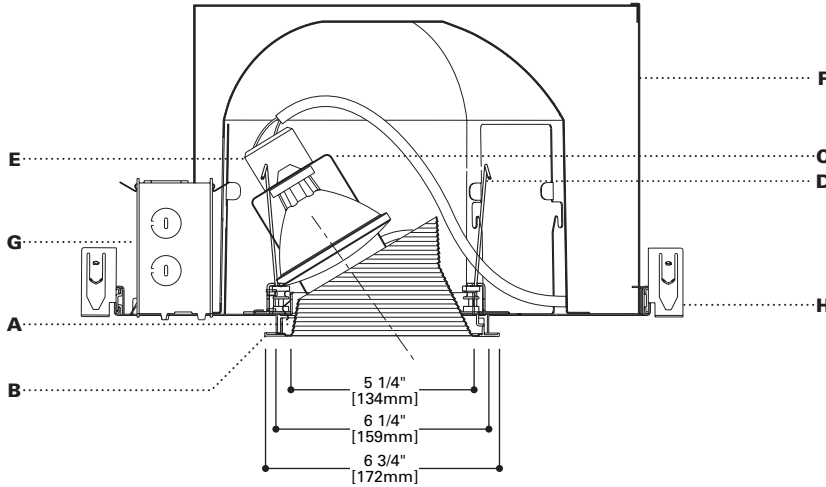


DESCRIPTION

Specification grade 75 watt PAR30 short neck adjustable fixture rated for direct contact with insulation. Adjustment mechanism features hot aiming capability, aiming marks and toolless locking. Optics provide glare-free 50° cutoff to

lamp. **Lamp module and optical element can be changed after installation to provide a variety of lamp sources and distributions. e.g. into an A19 Wall Wash**



**P5
M5P30
E5AAB**

**75 W PAR30
Short Neck Only**

5\"/>

SPECIFICATION FEATURES

A...Baffle

.040 thick aluminum spun sawtooth baffle in matte black or powdercoat white finish.

B...Flange

Die-cast flange with either matte white or clear coat finish. Die-cast flanges are easily removed for field painting. Elements are keyed for proper insertion.

C...Adjustability

Lamp locks in 361° rotation, 35° tilt. Unit is relamped without unlocking adjustments. Translating centerbeam optics maximize light output.

D...Attachment

Positive torsion springs pull flange tight to ceiling. Mechanical light trap eliminates spill light at edge of flange or reflector.

E...Socket

Nickel plated porcelain socket to prevent lamp freeze.

F...Frame/Housing

Hot dipped galvanized 20 gauge steel frame with built in 1/2 inch plaster lip. Aluminum .032 thick housing allows for heat dissipation and reduces weight. Matte black housing interior.

G...Junction Box

18 cubic inches, listed for 4#12 AWG or 6#14 AWG 90° C additional feed through conductors, has six 1/2 inch pryouts.

H...Bar Hangers

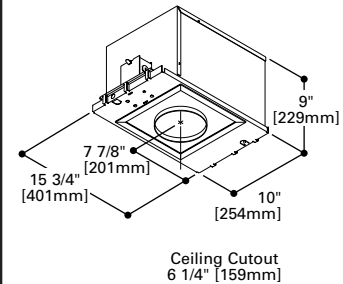
No Flex® bar hangers with positive locking, for use with wood, engineered wood and steel frame joists spaced up to 24" O.C. ship with platform. For use in T-bar ceilings order accessory MBCLP clips. Nailless barb and locator lip provide consistent installation height.

I...Codes

Thermally protected, IP labeled, for use in direct contact with insulation. Meets Washington State Air tight requirements, 1995 CABO Model Energy Code.

J...Labels

UL and cUL listed, standard damp label, IBEW union made.

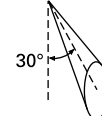
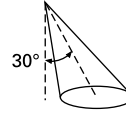
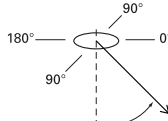


ORDERING INFORMATION

Complete unit consists of a platform, module and element

Platform	Lamp Module	Optical Element	Finish	Flange	Accessories
P5					
P5 = 5" Airtight IC Rated Housing	M5P30 = 5" PAR30 Adjustable Module	E5AA = 5" PAR30 35° Adjustable Accent Baffle	BB= Black Baffle WB= White Baffle	Blank= White die-cast RAW= Natural Die-cast	MBCLP = 40 Push On T Bar Clips (for 10 Units) PLE5 = Plaster Lip Extension for Max 2" Thick Ceiling FMC5 = Flush Mount Collar

PHOTOMETRICS



Lamp	Luminance cd/m ² @ Maximum Tilt			0° Aiming Angle Horizontal Footcandles				30° Aiming Angle Horizontal Footcandles					30° Aiming Angle Vertical Footcandles				
	Degree	@ 180°	@ 90°	D	FC	L	W	D	FC	L	W	CB	D	FC	L	W	CB
GE 75 PAR30/H/SP10																	
Beam Spread: 10°	85°	0	821	6'	83	2.8	2.8	6'	55	3.3	3.3	3.5	2'	132	2.1	1.6	3.5
CBCP: 13,000	75°	0	277	8'	47	3.7	3.7	8'	31	4.4	4.3	4.6	3'	59	3.1	2.5	5.2
Lumens: 1030	65°	0	169	10'	30	4.7	4.7	10'	20	5.5	5.4	5.8	4'	33	4.2	3.3	6.9
	55°	125	250	12' 6"	19	5.8	5.8	12' 6"	13	6.9	6.8	7.2	5'	21	5.2	4.1	8.7
	45°	101	506														
	Test # H22425			Test # H22426				Test # H22425					Test # H22425				

Lamp	Luminance cd/m ² @ Maximum Tilt			0° Aiming Angle Horizontal Footcandles				30° Aiming Angle Horizontal Footcandles					30° Aiming Angle Vertical Footcandles				
	Degree	@ 180°	@ 90°	D	FC	L	W	D	FC	L	W	CB	D	FC	L	W	CB
GE 75 PAR30/H/FL25																	
Beam Spread: 25°	85°	0	821	6'	80	2.7	2.7	6'	53	3.4	3.2	3.5	6'	16	5.6	3.9	10.4
CBCP: 3,100	75°	0	277	8'	45	3.6	3.6	8'	30	4.6	4.3	4.6	8'	9	7.5	5.2	13.9
Lumens: 1030	65°	0	169	10'	29	4.5	4.5	10'	19	5.7	5.4	5.8	10'	6	9.4	6.5	17.3
	55°	125	250	12' 6"	19	5.6	5.6	12' 6"	12	7.2	6.7	7.2	12'	4	11.3	7.8	20.8
	45°	101	506														
	Test # H22426			Test # H22426				Test # H22425					Test # H22425				

Lamp	Luminance cd/m ² @ Maximum Tilt			0° Aiming Angle Horizontal Footcandles				30° Aiming Angle Horizontal Footcandles					30° Aiming Angle Vertical Footcandles				
	Degree	@ 180°	@ 90°	D	FC	L	W	D	FC	L	W	CB	D	FC	L	W	CB
OS 50 PAR/CAP/IR/FL25																	
Beam Spread: 25°	85°	0	821	6'	352	0.9	0.9	6'	195	1.3	1.2	3.5	2'	381	1.2	0.7	3.5
CBCP: 2900	75°	0	277	8'	198	1.2	1.2	8'	109	1.8	1.5	4.6	3'	169	1.7	1.1	5.2
Lumens: 900	65°	0	169	10'	127	1.6	1.6	10'	70	2.2	1.9	5.8	4'	95	2.3	1.4	6.9
	55°	125	250	12' 6"	81	2.0	2.0	12' 6"	45	2.8	2.4	7.2	5'	61	2.9	1.8	8.7
	45°	101	405														
	Test # H22424			Test # H22423				Test # H22424					Test # H22424				

Lamp	Luminance cd/m ² @ Maximum Tilt			0° Aiming Angle Horizontal Footcandles				30° Aiming Angle Horizontal Footcandles					30° Aiming Angle Vertical Footcandles				
	Degree	@ 180°	@ 90°	D	FC	L	W	D	FC	L	W	CB	D	FC	L	W	CB
OS 50 PAR/CAP/IR/SP9																	
Beam Spread: 9°	85°	0	821	6'	80	2.7	2.7	6'	53	3.4	3.2	3.5	2'	145	1.9	1.3	3.5
CBCP: 13,000	75°	0	277	8'	45	3.6	3.6	8'	30	4.6	4.3	4.6	3'	65	2.8	2.0	5.2
Lumens: 900	65°	0	169	10'	29	4.5	4.5	10'	19	5.7	5.4	5.8	4'	36	3.8	2.6	6.9
	55°	0	250	12' 6"	19	5.6	5.6	12' 6"	12	7.2	6.7	7.2	5'	23	4.7	3.3	8.7
	45°	304	506														
	Test # H22428			Test # H22427				Test # H22428					Test # H22428				

Lamp	Luminance cd/m ² @ Maximum Tilt			0° Aiming Angle Horizontal Footcandles				30° Aiming Angle Horizontal Footcandles					30° Aiming Angle Vertical Footcandles				
	Degree	@ 180°	@ 90°	D	FC	L	W	D	FC	L	W	CB	D	FC	L	W	CB
OS 50 PAR/CAP/IR/FL40																	
Beam Spread: 40°	85°	0	0	6'	300	1.1	1.1	6'	199	1.5	1.2	3.5	2'	387	1.4	0.7	3.5
CBCP: 1,400	75°	0	0	8'	169	1.5	1.5	8'	112	2.0	1.5	4.6	3'	172	2.1	1.1	5.2
Lumens: 900	65°	0	0	10'	108	1.8	1.8	10'	72	2.6	1.9	5.8	4'	97	2.8	1.4	6.9
	55°	0	0	12' 6"	69	2.3	2.3	12' 6"	46	3.2	2.4	7.2	5'	62	3.6	1.8	8.7
	45°	0	202														
	Test # H22429			Test # H22430				Test # H22429					Test # H22429				

0° Aiming Angle Horizontal Footcandles				30° Aiming Angle Horizontal Footcandles					30° Aiming Angle Vertical Footcandles				
D	FC	L	W	D	FC	L	W	CB	D	FC	L	W	CB
6'	45	3.8	3.8	6'	32	4.3	4.2	3.5	2'	94	1.9	1.8	3.5
8'	25	5.1	5.1	8'	18	5.8	5.6	4.6	3'	42	2.9	2.7	5.2
10'	16	6.4	6.4	10'	12	7.2	7.0	5.8	4'	23	3.8	3.6	6.9
12' 6"	10	8.0	8.0	12' 6"	7	9.0	8.7	7.2	5'	15	4.8	4.5	8.7
Test # H22433				Test # H22434					Test # H22434				

Notes and Definitions:

Luminance: To convert cd/m² to footlamberts, multiply by 0.2919

• Beam spread is to 50% center beam candlepower (CBCP)

D=Distance to floor or wall.

FC=Footcandles on floor or wall at center beam aiming location.

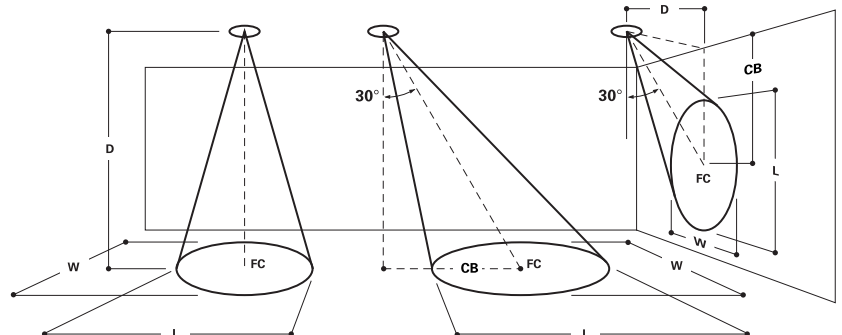
L=Effective Visual Beam length in feet (50% of maximum footcandle level.)

W=Effective Visual Beam width in feet (50% of maximum footcandle level.)

CB=Distance across or down to center beam location.

IRIS believes that bare lamp data photometrics vastly overstate the performance of low voltage adjustable accent fixtures.

The "real world photometrics" shown here are from off the shelf lamps in fixtures using a clear finish reflector.



Note: Specifications and Dimensions subject to change without notice.

Visit our web site at www.cooperlighting.com

