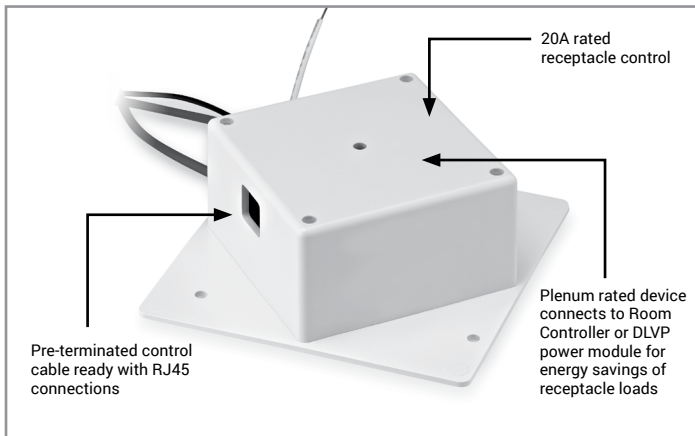


Project		Catalog #		Type	
Prepared by		Notes		Date	



Greengate

SPRC-R-20-120 & SP-R-20-120 Receptacle Rated Switchpack

Includes a 20A relay for ON/OFF control of connected outlets and provides energy efficient control of receptacles

Interactive Menu

- Order Information page 2
- Wiring Diagrams page 3
- Mounting Diagrams page 3
- Connected Systems page 3
- Product Warranty

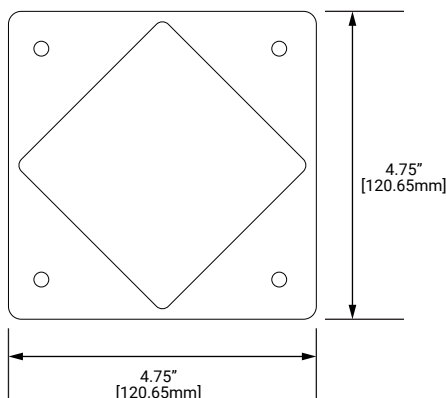
Product Certification



Top Product Features

- Pre-terminated control cable ready with RJ45 ports eliminate wiring errors
- Capable of switching up to 20 Amps
- Suitable for plenum installations
- Rated for ballast, tungsten and motor loads
- Mounts directly to junction box

Dimensional and Mounting Details



[additional product diagrams](#)

Order Information

Catalog Number

Catalog Number	Input	Ratings	Control
SPRC-R-20-120	120 VAC 50/60Hz	<ul style="list-style-type: none"> • 120, 277 VAC • General Use: 20A • Resistive: 20A • Tungsten: 20A • Standard Ballast: 20A • Electronic Ballast: 16A • Motor: 1.5HP @ 120 VAC • 2.0HP @ 277 VAC 	RJ45 for Room Controller and DLVP Class 2, LPS
SP-R-20-120	120 VAC 50/60Hz	<ul style="list-style-type: none"> • 120, 277 VAC • General Use: 20A • Resistive: 20A • Tungsten: 20A • Standard Ballast: 20A • Electronic Ballast: 16A • Motor: 1.5HP @ 120 VAC • 2.0HP @ 277 VAC 	Wire leads for low voltage occupancy sensors* Class 2, LPS

Product Specifications

Key Features

The Receptacle Rated Switchpack includes a 20A relay for ON/OFF control of connected outlets. The Receptacle Rated Switchpack connects to the Greengate Room Controller, DLVP power module, or any standard Greengate Occupancy Sensor. The Receptacle Rated Switchpack provides energy efficient control of receptacles.

Mechanical

Size: 4.75" x 4.75" x 2"

Environment:

- **Operating temperature:** 32° F to 104° F (0° C to 40° C)
- Less than 95%, non-condensing
- For indoor use only

Mounting: Mounts to the side of a 4" square box via 1/2" knockout

Housing:

- Medium impact injection molded housing.
- ABS resin complies with UL 94V-0. Plenum rated for external junction box mounting, with Teflon coated leads

Description/Operation

The Receptacle Rated Switchpack operates on 120 volts and is a Class 2 connection to the Room Controller, DLVP power module, or standard occupancy sensors. Upon power up, Receptacle Rated Switchpack automatically recognizes its connection to a Room Controller or DLVP power module and begins the most energy-efficient operation. The receptacle rated switchpack will control connected receptacles On and Off in response to input from the Room Controller, DLVP power module, or standard occupancy sensors.

Installation

Low-voltage devices are connected using provided pre-terminated control cables (ordered separately).

Electrical

Input:

- 120 VAC, 50-60 Hz operation

Output:

- 24 VDC 125 mA

RJ45 port for connection to pre-terminated control cables

Wire leads operate up to five sensors

Load: 1.5 HP @120 VAC

Standards/Ratings

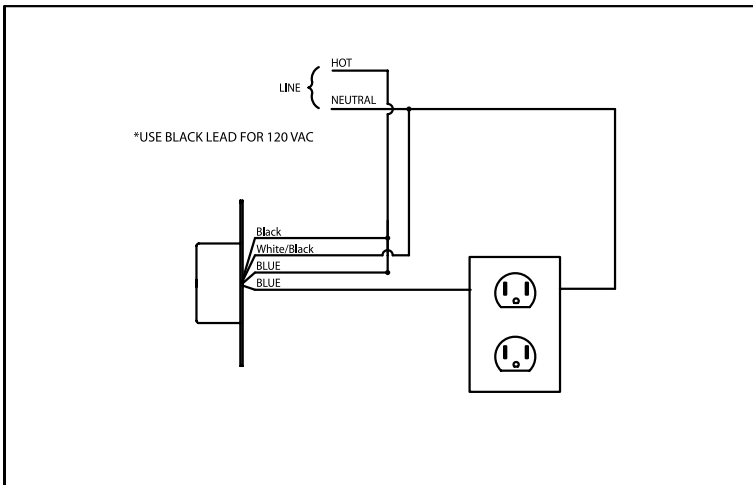
- UL 508 Listed
- cULus

Warranty

Consult website for warranty information

Wiring Diagrams

Wiring diagram for SPRC-R-20-120

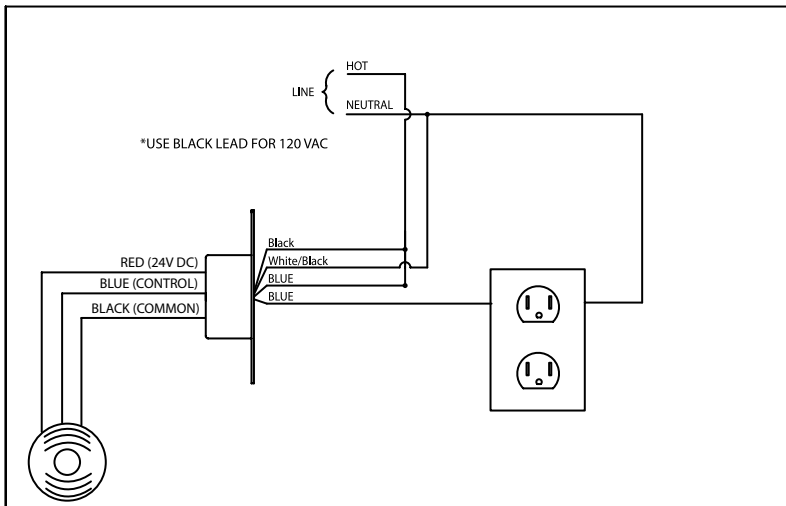


INPUT VOLTAGE:
120 VAC, 50/60Hz

CONTACT RATINGS:
20A 120/277 VAC STANDARD BALLAST
16A 120/277 VAC ELECTRONIC BALLAST
1.5 HP @ 120 VAC MOTOR

CAUTION: Before installing or performing any service on a Greengate system, the power **MUST** be turned off at the branch circuit breaker.

Wiring diagram for SP-R-20-120

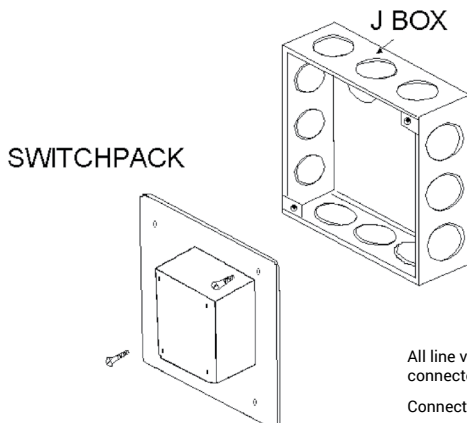


INPUT VOLTAGE:
120 VAC, 50/60Hz

CONTACT RATINGS:
20A 120/277 VAC STANDARD BALLAST
16A 120/277 VAC ELECTRONIC BALLAST
1.5 HP @ 120 VAC MOTOR

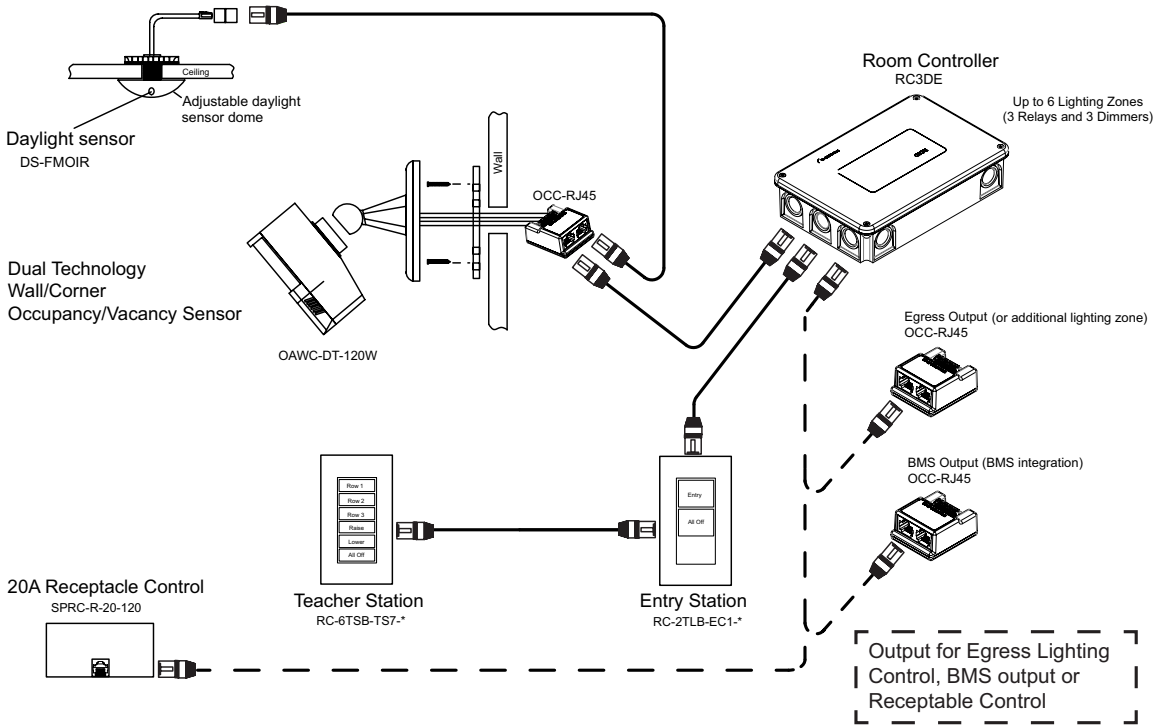
CAUTION: Before installing or performing any service on a Greengate system, the power **MUST** be turned off at the branch circuit breaker.

Mounting

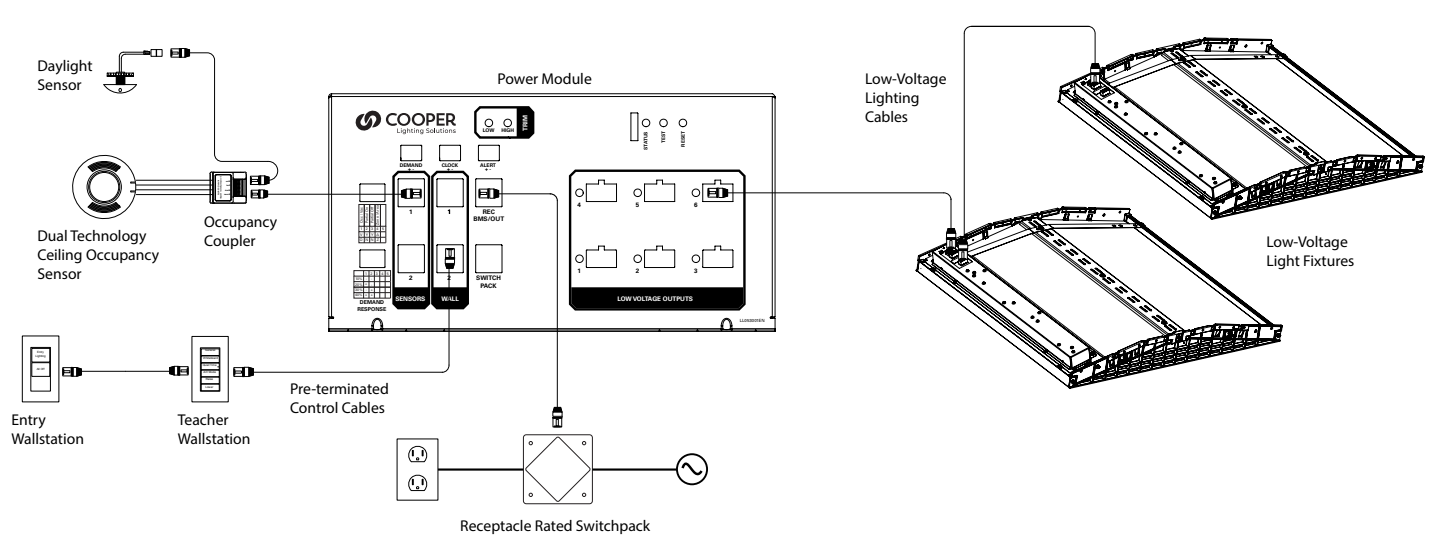


All line voltage connections are made via pigtails with twist-on wire connectors.
Connect the black supply lead to the power source.

Sample Room Controller System Topology



Sample DLVP System Topology



Control Systems

- Greengate