

## Description

Recessed 4" aperture shallow housing for use with LED integrated trims. Installs during electrical rough in 2x6 residential or shallow plenum commercial construction. Suitable for direct contact with insulation; airtight rating reduces airflow between living spaces and unconditioned areas providing additional energy savings. Use with compatible Halo® LED integrated trims and modules providing general, task and accent lighting when energy savings, long life and optical control are required.

Catalog #		Type
Project		
Comments		Date
Prepared by		

## Specification Features

### Housing

- Single wall deep drawn aluminum housing painted matte black for a visually dark interior
- Adjusts vertically to accommodate 1/2" to 1-1/4" thick ceilings and locks in position with (3) setscrews
- V notches facilitate use of guide strings or laser lines for precise positioning
- Integral gasket provides for airtight compliance
- Shipped with overspray protector installed
- Housing can be removed from below the ceiling for service or splice inspection

### Plaster Frame

- Compact galvanized steel plaster frame with integral bar hanger receivers
- Regressed screw provide positive horizontal bar hanger locking from below the ceiling
- Crimp points also provide for horizontal bar hanger locking

### Bar Hangers

- Captive preinstalled Got-Nail™ bar hangers supports housing any point along span
- Pass-N-Thru™ feature adjust from 8" to 24" wide without removal
- Score lines allow "tool-less" shortening for 12" joists

- Captive nail penetrates standard and engineered lumber
- Safety and guidance system prevents snagging, ensures smooth straight nail penetration and allows bar hangers to be easily removed and repositioned
- Leveling flange aligns plaster frame with structure
- Integral clip attaches directly to tee-bar

### Junction Box

- Galvanized steel junction box with 19.5in<sup>3</sup> internal volume
- Compartment provides isolation of low voltage field wiring
- Listed for (9) #12 AWG 90° C splice conductors
- (7) 1/2" conduit pry-outs positioned to allow straight conduit runs
- (3) Slide-N-Side™ non-metallic (NM) wire traps allows wiring outside the box
- Accepts 14-2, 14-3, 12-2, 12-3 U.S. and 14-2, 14-3, 12-2 Canadian NM cable
- (3) 4-port push wire nuts with clear caps for quick and reliable mains voltage connections

### Connector

- Two-conductor wire mount connector is rated for 120-277V and mates with Halo® LT4, RL4, RA4 and ML4 family of LED integrated trims.

- **CAUTION:** verify LED module input voltage is compatible with the input voltage of the housing. If uncertain, consult a qualified electrician
- Separate two-conductor wire mount connector for 0 – 10V low voltage control

### Code Compliance

- Type IC inherently protected, suitable for direct contact to air permeable insulation and cULus listed for damp locations
- Not for use in direct contact with spray foam insulation, consult NEMA LSD57-2013
- Wet location listed in covered ceilings and IP44 certified with select trims
- Airtight per ASTM-E283
- Suitable for use in clothes closets when installed in accordance with the NEC 410.16 spacing requirements
- Contains no mercury or lead and RoHS compliant
- Can be used for State of California Title 24 high efficacy LED compliance under JA8, reference Modernized Appliance Efficiency Database System (MAEDBS) for 2016 JA8 High Efficacy Lighting

### Warranty

- One year limited warranty, consult website for details.  
[www.cooperlighting.com](http://www.cooperlighting.com)



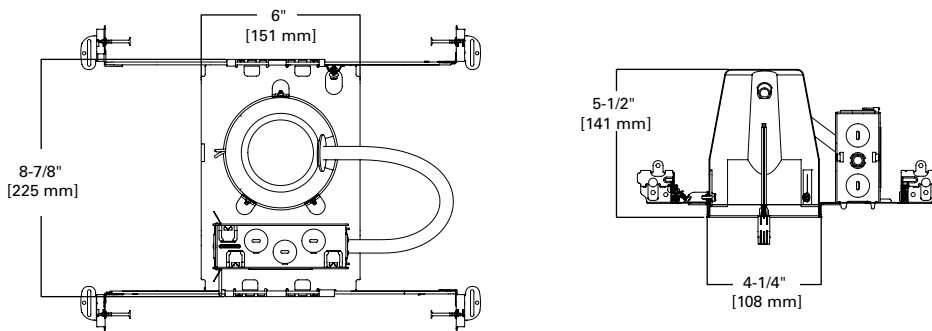
## H45ICATD010

### 4" Shallow Recessed New Construction Housing

### For Integrated LED Trims and Modules

### 20W Maximum

## Dimensions



## Ordering Information

A complete luminaire consists of a housing, LED module and trim, order separately.

Housing	Module / Trims
H45ICATD010 = 4" shallow new construction housing for LED integrated trims or modules with 0 – 10V low voltage dimming control	LA4 Family LT4 Family RA4 Family RL4 Family RSQ Family ML4 Family

### Notes:

1. Can be used with Halo LED modules with either phase cut or 0 – 10V analog dimming control options.