

DESCRIPTION

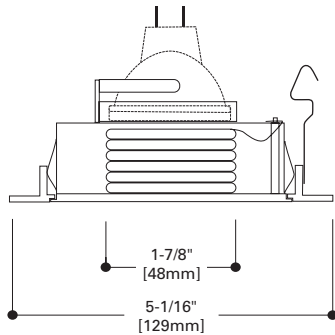
Pinhole Baffle trim for 12V low voltage 4" H1499 family recessed housings. Die cast trim ring with baffle. Trim ring available in a variety of finishes. Three "cat's paw" springs secure trim in housing.

DESIGN FEATURES

Cast aluminum trim ring available in Matte White, Silver, Satin Nickel, Antique Copper or Tuscan Bronze finishes. Baffle available in Black or White. Three pressure springs ensure positive retention in housing.

1419 is designed for use with the following small aperture housings;

- Line Voltage Housing
 - H1499T 50W 12V MR16
 - H1499RT 50W 12V MR16
 - H1499ICT 50W 12V MR16
 - H1499T75 75W 12V MR16



Catalog #		Type
Project		
Comments		Date
Prepared by		



1419P
Black Baffle with
White Trim Ring



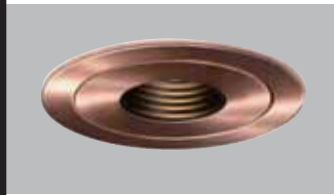
1419W
White Baffle with
White Trim Ring



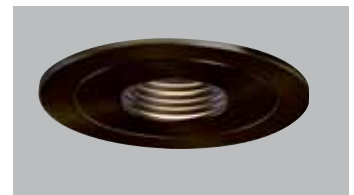
1419SL
Black Baffle with
Silver Trim Ring



1419SN
Black Baffle with
Satin Nickel Trim Ring



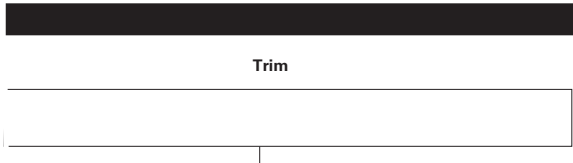
1419AC
Black Baffle with
Antique Copper Trim Ring



1419TBZ
Black Baffle with
Tuscan Bronze Trim Ring

1419
Pinhole Baffle Trim

4" TRIMS



- 1419P**= Black Baffle, White Trim Ring
- 1419W**= White Baffle, White Trim Ring
- 1419SL**= Black Baffle, Silver Trim Ring
- 1419SN**= Black Baffle, Satin Nickel Trim Ring
- 1419AC**= Black Baffle, Antique Copper Trim Ring
- 1419TBZ**= Black Baffle, Tuscan Bronze Trim Ring

Note: Specifications and Dimensions subject to change without notice.

Visit our web site at www.cooperlighting.com

Customer First Center 1121 Highway 74 South Peachtree City, GA 30269 770.486.4800 FAX 770 486.4801

ADV071046