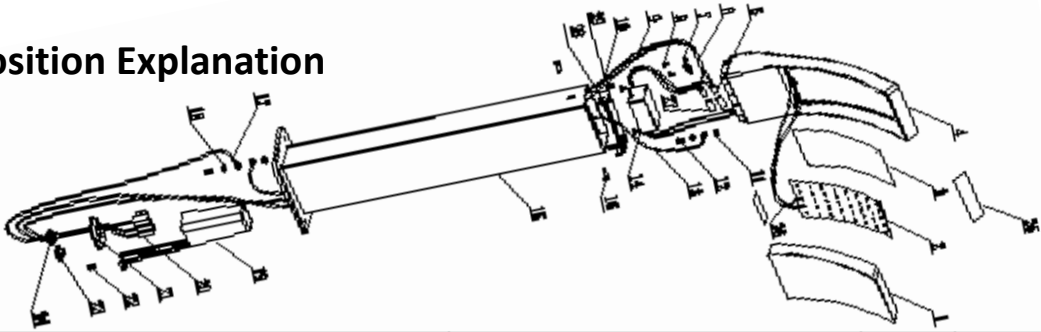


Dismantling Recommendation on Disposal at End of Life

Composition Explanation



No.	Components	Specifications	Unit	Quantity
1	Diffuser	PC	PCS	1
2	L2		PCS	1
3	Sticker	Rubber	PCS	1
4	Head	AL	PCS	1
5	Closed end connector		PCS	2
6	Ø5 heat shrinkable tube		M	0.03
7	Strain relief	PC	PCS	1
8	M3*5 screw	Zinc coated	PCS	4
9	VED brown wire	H05V-K 0.75mm2	PCS	1
10	VED blue wire	H05V-K 0.75mm2	PCS	1
11	Ø4 teeth washer	Zinc coated	PCS	2
12	M4*8 screw	Zinc coated	PCS	1
13	Earthing wire		PCS	1
14	Driver		PCS	1
15	Post	AL	PCS	1
16	M4*10 screw	SS	PCS	2
17	Earthing wire		PCS	1
18	Ø4 teeth washer	SS	PCS	2
19	Terminal box	ABS	PCS	1
20	Terminal block		PCS	1
21	Terminal box cover	ABS	PCS	1
22	M4*8 screw	SS	PCS	2
23	Gasket	Rubber	PCS	1
24	Gromet	Rubber	PCS	1
25	Reflector sheet		PCS	2
26	Ø3 heat shrinkable tube	φ3	M	0.03
27	Ø8 heat shrinkable tube	Ø8	M	0.08
28	Bracket	SS	PCS	1
29	M4*10 screw	Zinc coated	PCS	2

Dismantling Recommendation on Disposal at End of Life

Dismantling

- Type: Without permanent damage

Recommendation on Disposal

- Plastic part: Reuse and Recycling
- Electrical part: Incineration and disposal
- Metal part: Recycling

Dismantling process

