



by Signify

Cove

TruGroove Cove

Standalone or continuous run configurations

ATTENTION: Install in accordance with national and local building and electrical codes.

System Overview

These instructions review how to install TruGroove Cove fixtures. TruGroove Cove modules can be installed as individual standalone units, or they can be configured to create continuous runs. The graphic below shows the components required to install a typical row of TruGroove Cove fixtures.

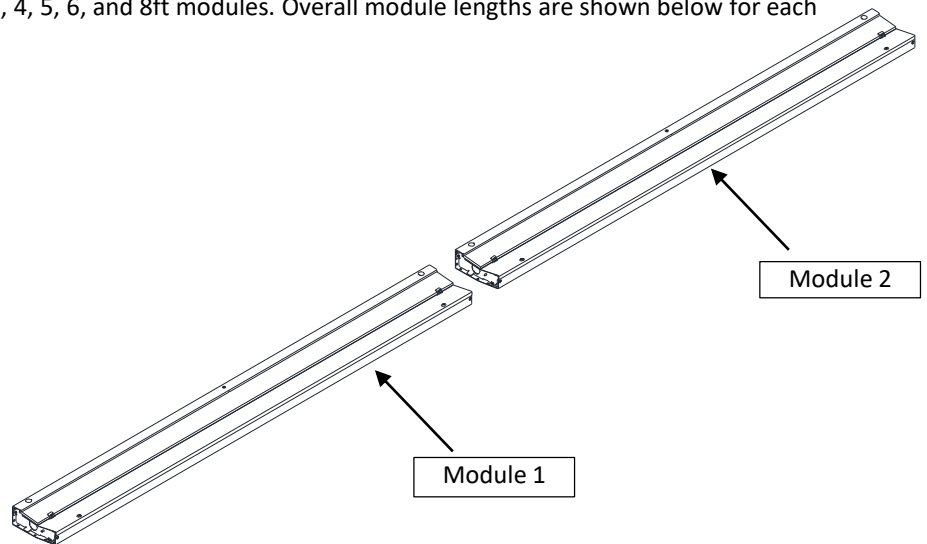


TOOLS REQUIRED: Phillips screwdriver, Flat-head screwdriver, #2 Robertson screwdriver (optional)

Module Lengths

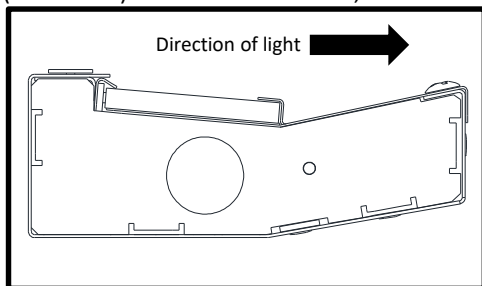
TruGroove Cove systems come in 2, 2.5, 3, 3.5, 4, 5, 6, and 8ft modules. Overall module lengths are shown below for each length option.

Nominal Row Length	Actual Fixture Length
2'	24-3/8"
2.5'	30-1/4"
3'	36-1/8"
3.5'	42-1/16"
4'	48"
5'	60-1/2"
6'	72-5/16"
8'	96"

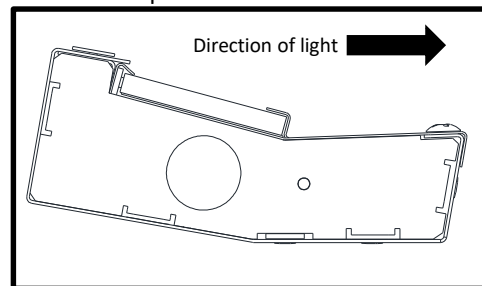


Mounting Options

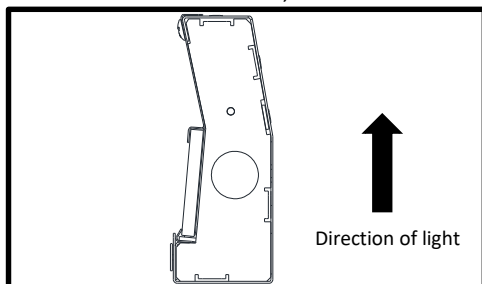
Different mounting options are available. Fixtures can be mounted either horizontally or vertically in two different positions (see below). Prior to installation, refer to building drawings to ensure correct placement.



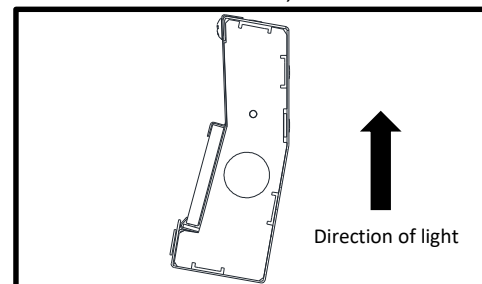
HORIZONTAL MOUNTING, Position A



HORIZONTAL MOUNTING, Position B



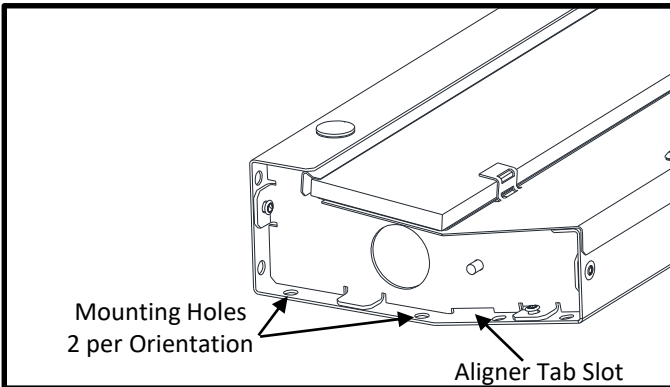
VERTICAL MOUNTING, Position A



VERTICAL MOUNTING, Position B

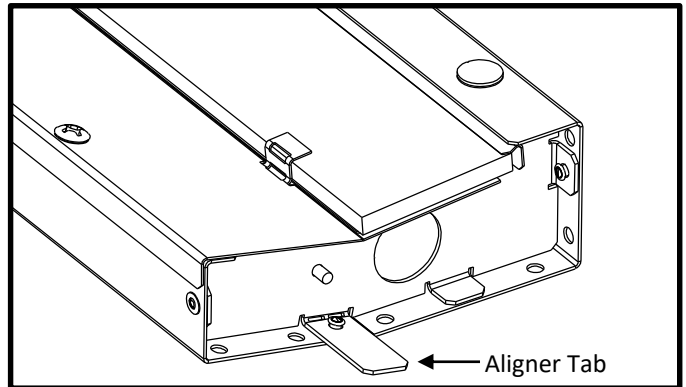
1 Unpack/prepare fixtures Arrange boxed fixtures on floor in specified mounting locations; remove fixtures from boxes.

2A Mount and install first fixture



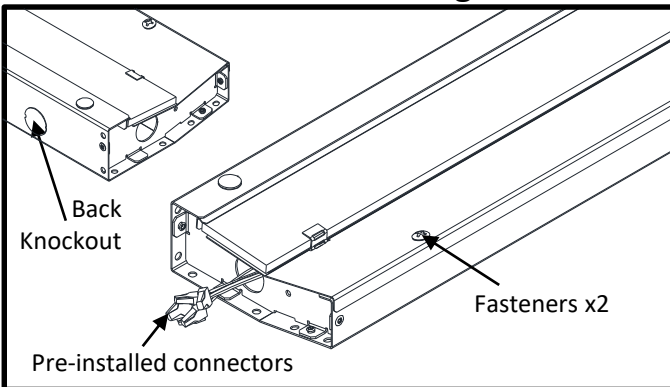
Step 2A: Drive mounting screws (supplied by others) into the appropriate mounting holes on the side of fixture that is to be the end of the run.

2B Mount and install first fixture



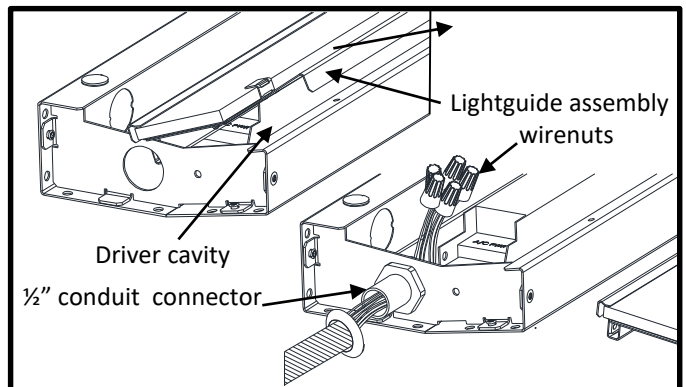
Step 2B: On the other side of the fixture, drive mounting screws (supplied by others) into the appropriate holes. There is an aligner tab that protrudes from this side of the product. This tab will fit into a slot in the next fixture in the run aligning the luminaire to the next. For standalone fixtures, the aligning tab may be ignored.

3 Complete electrical connections at end or back of housing



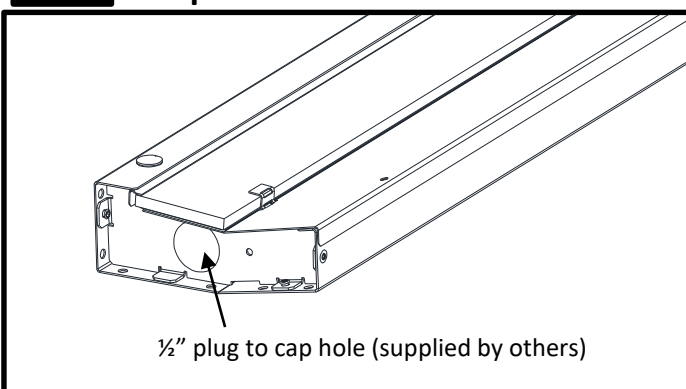
POWER LOCATIONS: For the first fixture in a run, remove the fasteners from the front edge of the product. Tilt the lightguide assembly upward to gain access to the driver cavity. Back power entry: remove the knockout for 1/2" conduit. Side power entry: use the end of the fixture (no knockout).

4 Complete electrical connections cont.



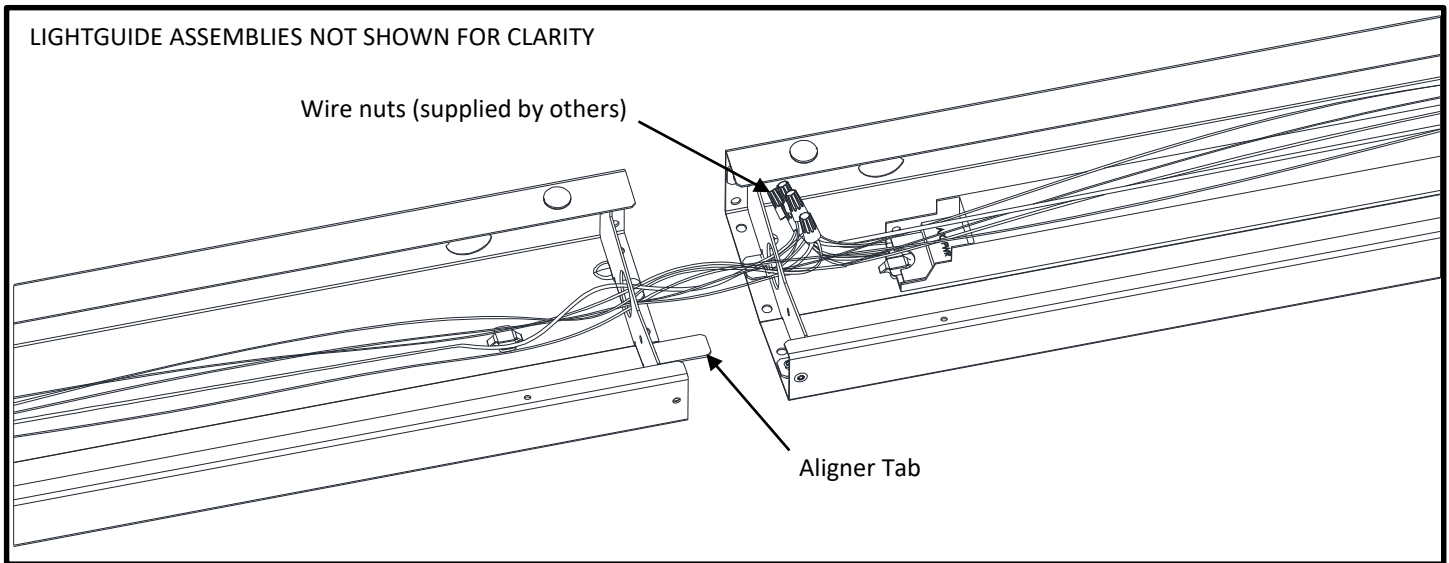
Fasten a 1/2" conduit connector to the knockout opening (supplied by others). Install power to the fixture leads using the pre-installed connectors or wirenuts (supplied by others). Tuck wires into wire cavity after completing connections. Reinstall the lightguide assembly and fasteners.

5 Complete electrical connections non-power locations



NON-POWER LOCATIONS: Cap all wires and tuck into wire cavity. At end of run, cap hole using 1/2" (for 7/8" hole) knock-out plug (supplied by others).

6 Install additional fixtures

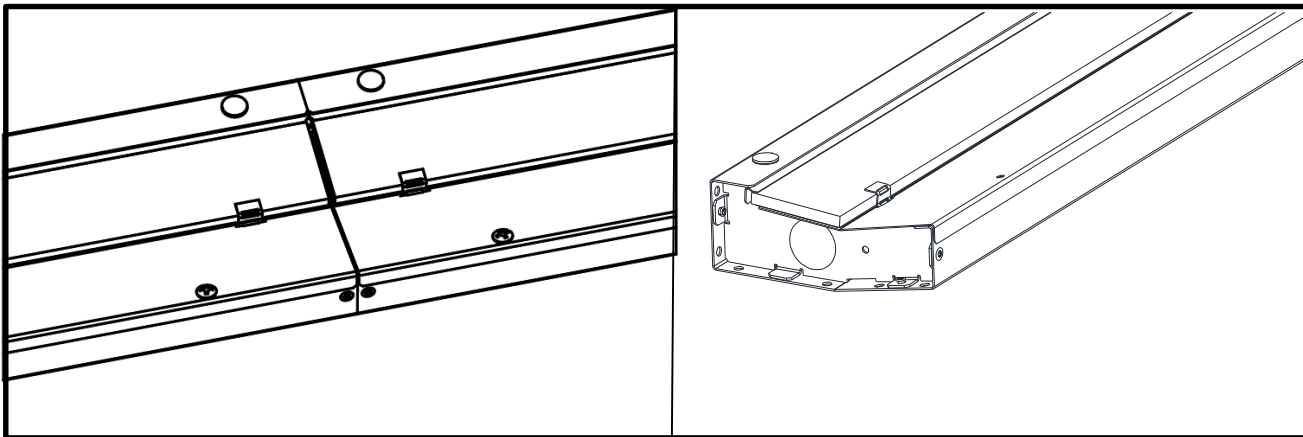


For each additional fixture, complete power connections. (Tuck connections into fixture). Reinstall light engines and secure with fasteners. Slide fixtures together and secure each additional fixture using appropriate fasteners through slots in housing, see steps 2A and 2B.

IMPORTANT: Maintain flush fit between fixtures.

IMPORTANT: When HORIZONTAL MOUNTING, Position B is chosen. Ledalite recommends to secure fixtures with fasteners (supplied by others) on both ends of each additional fixture. At the start and end when installing continuous runs on fixtures greater than 3' in length.

7 Finishing



Secure all components: Ensure all components are secure and installed according to local and national codes.

