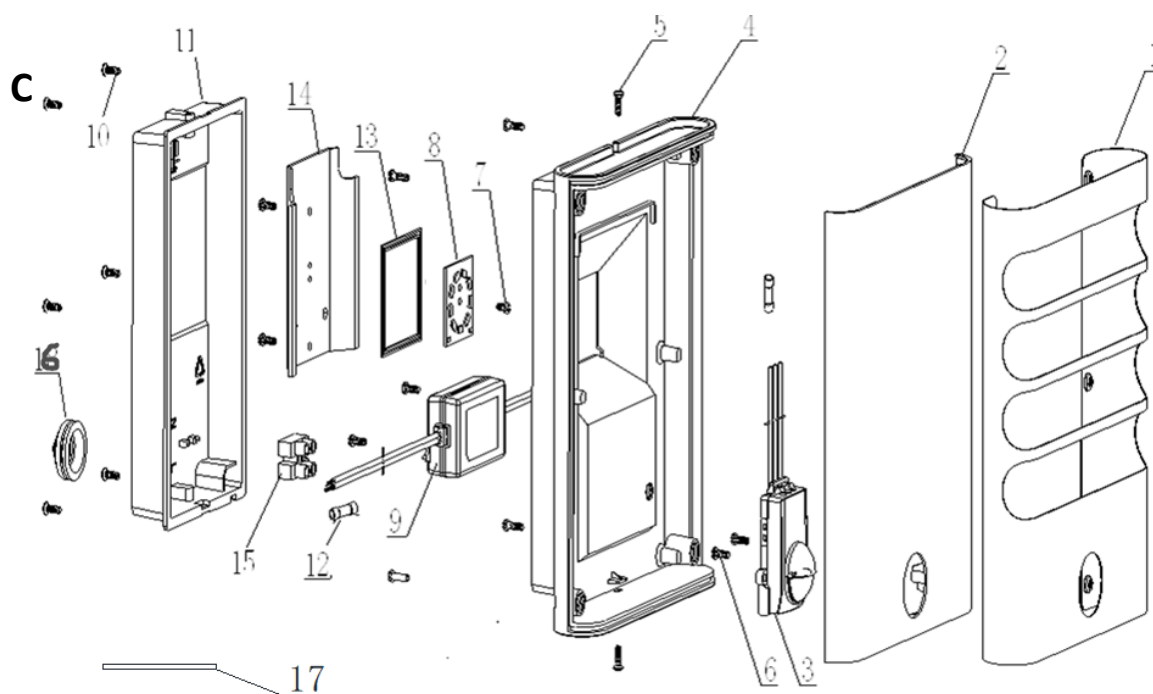


Dismantling Recommendation on Disposal at End of Life



| No. | Components | Specifications | Unit | Quantity |
|-----|----------------------|--------------------|------|----------|
| 1 | 17274F cover | SS | PCS | 1 |
| 2 | 17274F diffuser | PC | PCS | 1 |
| 3 | sensor | 12NC: 440400828251 | PCS | 1 |
| 4 | 17273F body | | PCS | 1 |
| 5 | BT3*10 screw | SS 304 | PCS | 2 |
| 6 | BT2.9*8 screw | Zinc coated | PCS | 10 |
| 7 | M3*5 screw | Zinc coated | PCS | 1 |
| 8 | YL20-6-8DB4W-C006 | | PCS | 1 |
| 9 | YL5W150-030P driver | | PCS | 1 |
| 10 | BT3*16 screw | SS 304 | PCS | 6 |
| 11 | 17273F wall plate | ABS | PCS | 1 |
| 12 | Closed end connector | | PCS | 1 |
| 13 | 17274F gasket | Rubber | PCS | 1 |
| 14 | 17274F heat sink | AL | PCS | 1 |
| 15 | Terminal block | PA10 | PCS | 1 |
| 16 | φ27 gromet | TPE | PCS | 1 |
| 17 | rappier | 3*60MM | PCS | 1 |

Dismantling Recommendation on Disposal at End of Life

Dismantling

- Type: Without permanent damage

Recommendation on Disposal

- Plastic part: Reuse and Recycling
- Electrical part: Incineration and disposal
- Metal part: Recycling

