

HALO OUTDOOR™

DESCRIPTION

This LED single head flood series produces over 5800 Lumens and was designed for superior large area coverage using the latest innovations in LEDs, drivers and optics. Using a dependable, die-cast aluminum housing, this fixture delivers light where you need it, keeping power consumption to a minimum. Available with and without integrated photo controls, this series comes in white or bronze finish.

Catalog #		Type
Project		
Comments		Date
Prepared by		

SPECIFICATION FEATURES

Construction

- Durable die-cast aluminum housing with UV stable clear lens
- Powder coated bronze or white finish
- Optically enhanced reflector improves efficiency and delivered lumens
- Tool-less head and motion sensor adjustment
- Wall or eave mounted to recessed or surface junction boxes

Optics

- Advanced optics for maximum coverage
- Field selectable CCT: 3000K, 4000K and 5000K (Default factory setting is 4000K)

Electrical

- 120-277VAC, 50/60Hz
- Maintenance-free LEDs with 70,000 hours of life
- Fixture operating temperature of -30°C to 40°C
- External supply wiring 75°C minimum
- Integral photocell allows for nighttime ON / daytime OFF operation (Integrated sensor SKUs only)

Warranty

- Five year limited warranty, consult website for details. www.cooperlighting.com

Compliance

- UL certified for US and Canada for wet locations
- EMI/RFI emissions per FCC 47CFR Part 15B
- Contains no mercury or lead and RoHS compliant.
- Photometric testing in accordance with IES LM-79-08
- Lumen maintenance projections in accordance with IES LM-80-08 and TM-21-11.



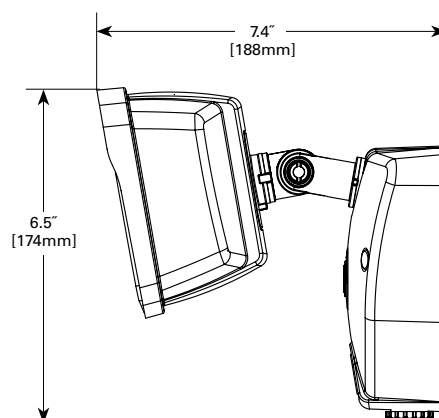
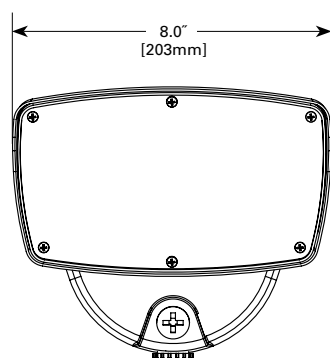
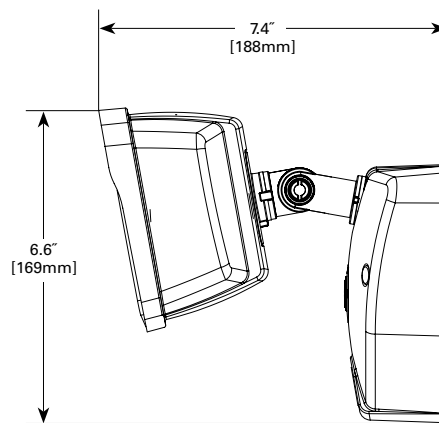
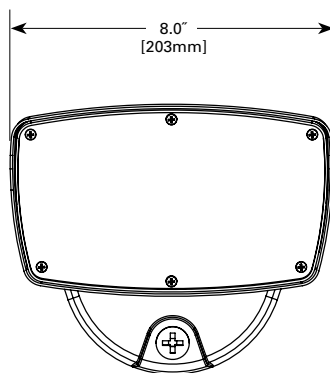
FSL503 HIGH LUMEN SINGLE HEAD FLOODLIGHT

5800 Lumen Series

seleCCTable™

Suitable for recessed or surface mount electrical junction boxes

DIMENSIONS



ENERGY DATA

Lumens	5800	
Input Voltage	120-277V	50/60Hz
Input Current @ 120V	(mA)	413
Input Power	(W)	51.6
Efficiency	(LPW)	112.4
THD: ≤ 20%		
PF: ≥ 0.90		

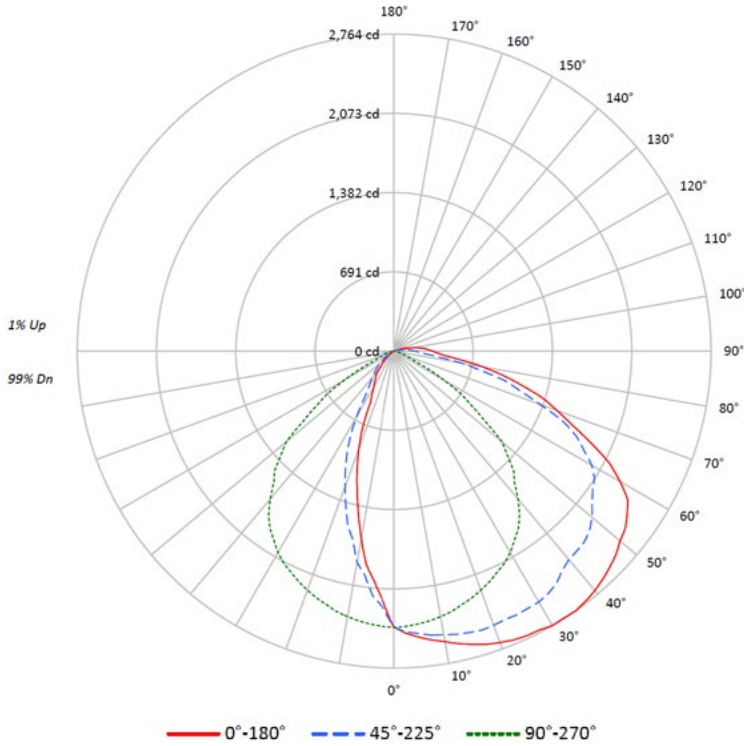
ORDERING INFORMATION

Sample Number: FSL503TIB or FSL503TW

Module	Lumens	CRI/CCT	Options	Colors
FSL = Single Large Flood	50 = 5800 lumens (nominal)	3T = Selectable CCT 3000K, 4000K, & 5000K	I = Integrated Photocell	B = Bronze W = White

PHOTOMETRY

LUMINOUS INTENSITY POLAR PLOT



ZONAL LUMENS

Zone	Lumens	%Fixture
0° - 10°	217.0	3.6
10° - 20°	583.9	9.8
20° - 30°	830.0	14.0
30° - 40°	974.2	16.4
40° - 50°	1015.6	17.1
50° - 60°	941.6	15.8
60° - 70°	734.7	12.4
70° - 80°	411.1	6.9
80° - 90°	151.7	2.6
90° - 100°	64.9	1.1
100° - 110°	15.9	0.3
110° - 120°	1.3	0.0
120° - 130°	1.2	0.0
130° - 140°	1.1	0.0
140° - 150°	0.9	0.0
150° - 160°	0.7	0.0
160° - 170°	0.3	0.0
170° - 180°	0.1	0.0
0° - 30°	1630.8	27.4
0° - 40°	2605.0	43.8
0° - 60°	4562.2	76.7
0° - 90°	5859.8	98.5
90° - 120°	82.1	1.4
90° - 150°	85.4	1.4
90° - 180°	86.0	1.4
0° - 180°	5946.2	100.0

FIELD PERFORMANCE MAY DIFFER FROM LABORATORY PERFORMANCE

FSL503 30° Tilt

Mounting Height	Length (L)	Width (W)	Area (Sq.Ft.)
10	40	45	1414
15	45	54	1909
20	50	50	1963
25	50	68	2670

Series	Voltage	Power (W)	Delivered Lumens (Lm)	Efficacy (Lm/W)	CCT	CRI	Controls
FSL503TB	120-277V	51.6	5800	112.4	3000K,4000K,5000K	82	None
FSL503TW	120-277V	51.6	5800	112.4	3000K,4000K,5000K	82	None
FSL503TIB	120-277V	51.6	5800	112.4	3000K,4000K,5000K	82	Integrated Photocell
FSL503TIW	120-277V	51.6	5800	112.4	3000K,4000K,5000K	82	Integrated Photocell