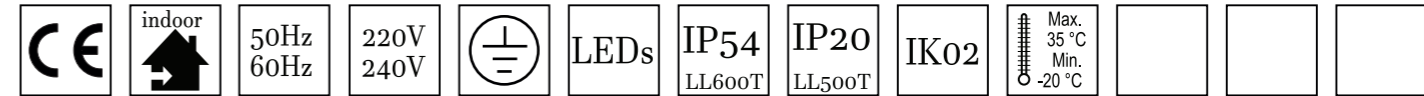
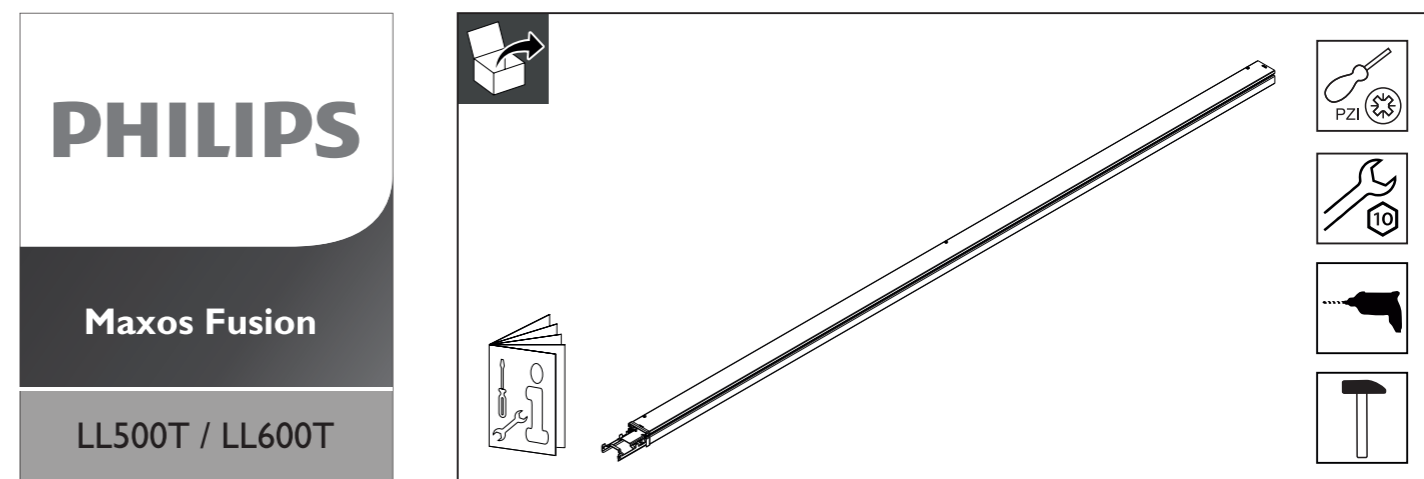
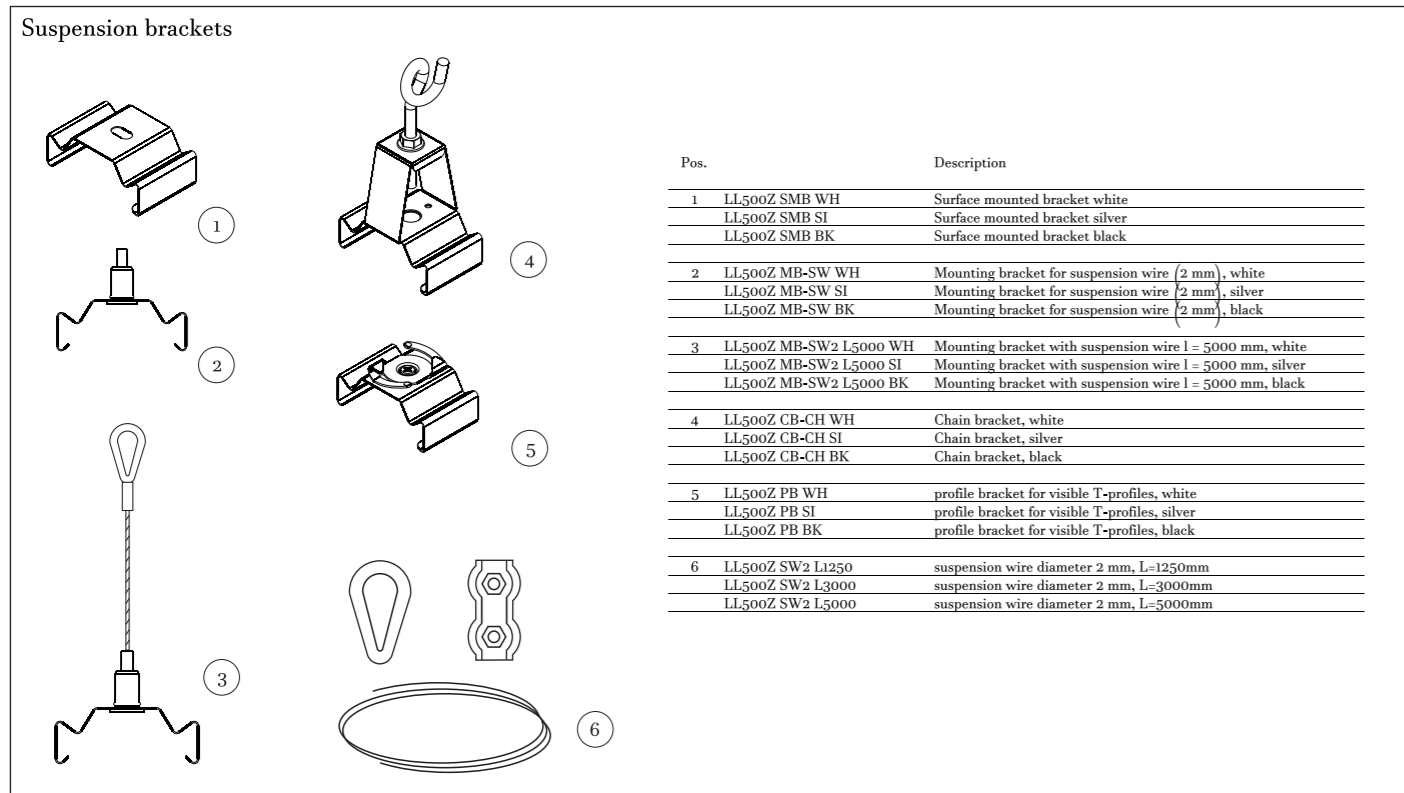


LL500Z CM L400
LL500Z CM L595

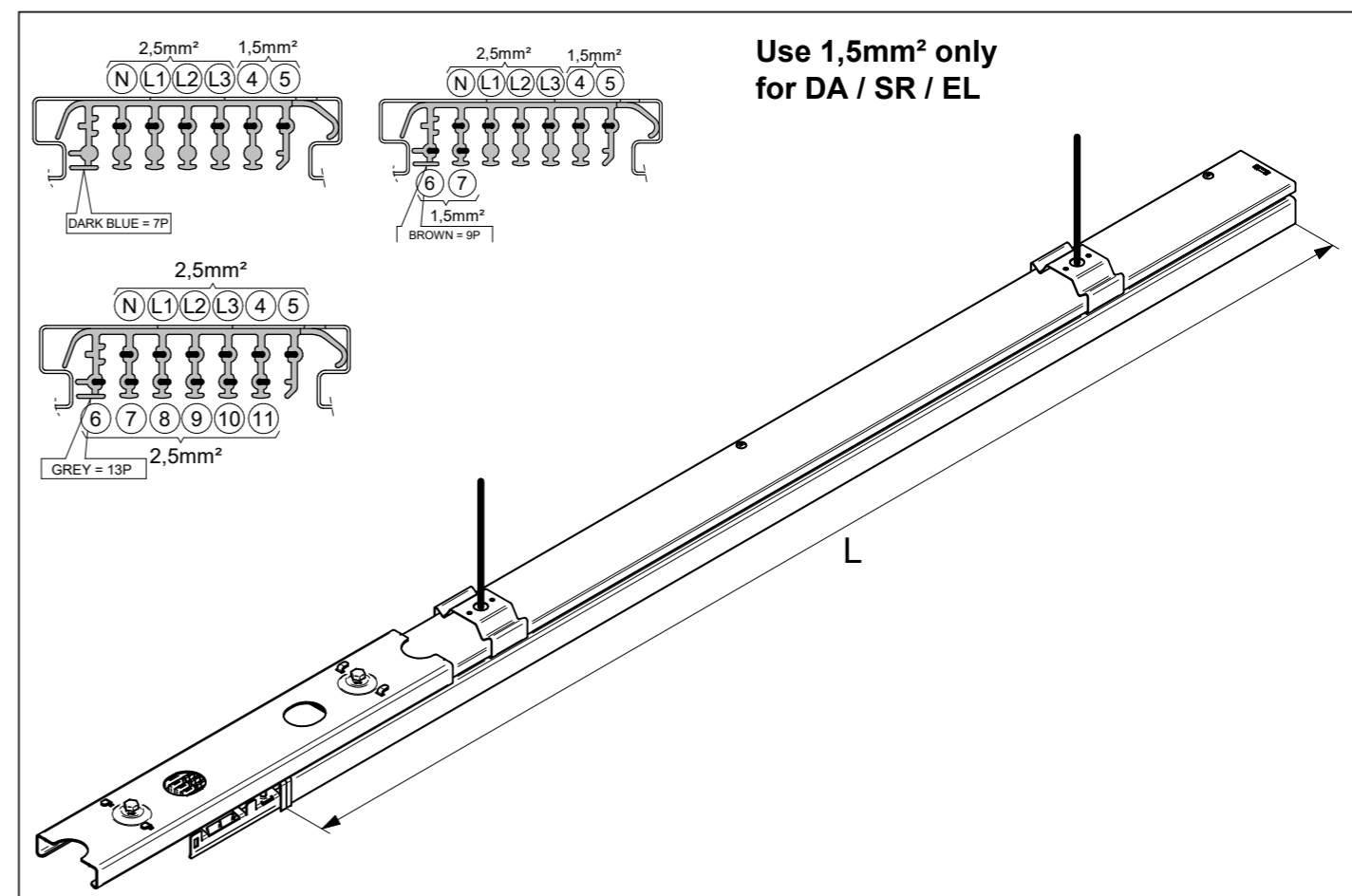


	L (mm)	7P kg	9P kg	13P kg
LL512T	1138	1.7	1.7	1.7
LL523T / LL623T	2276	3.3	3.3	3.3
LL546T / LL646T	4552	6.4	6.4	6.4

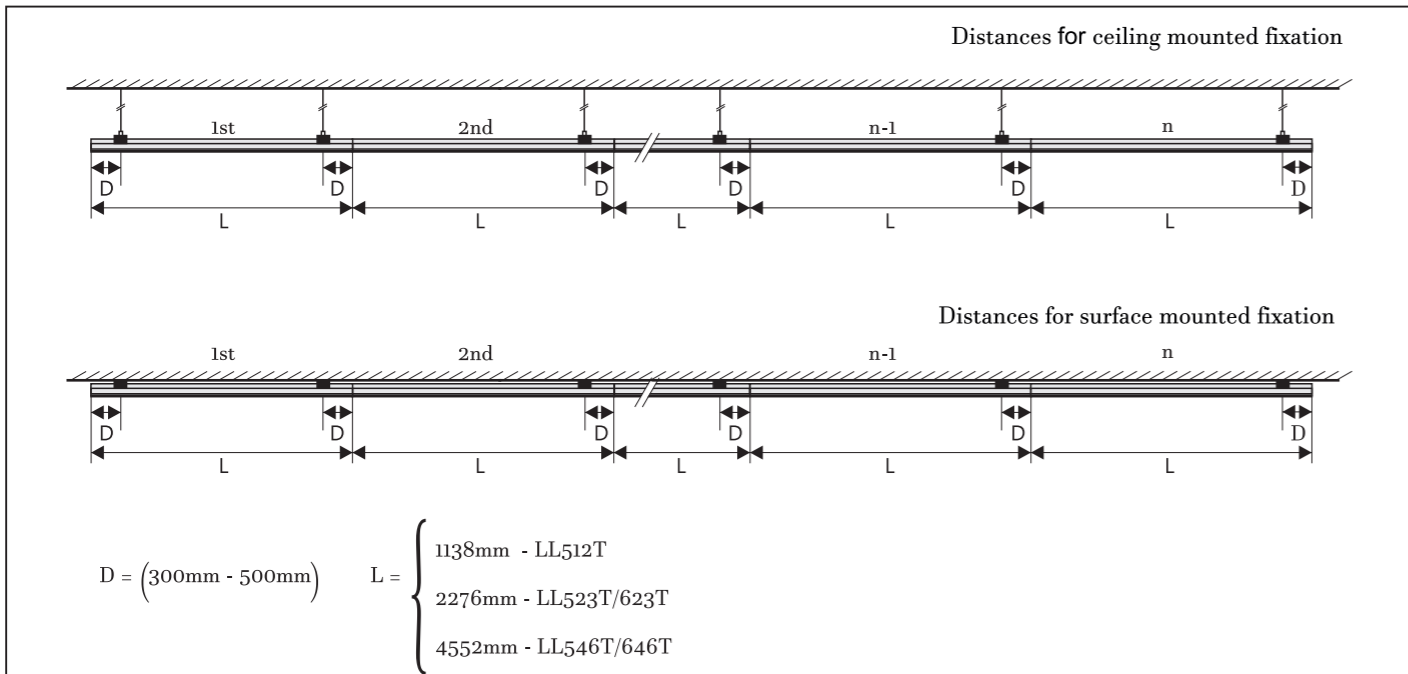
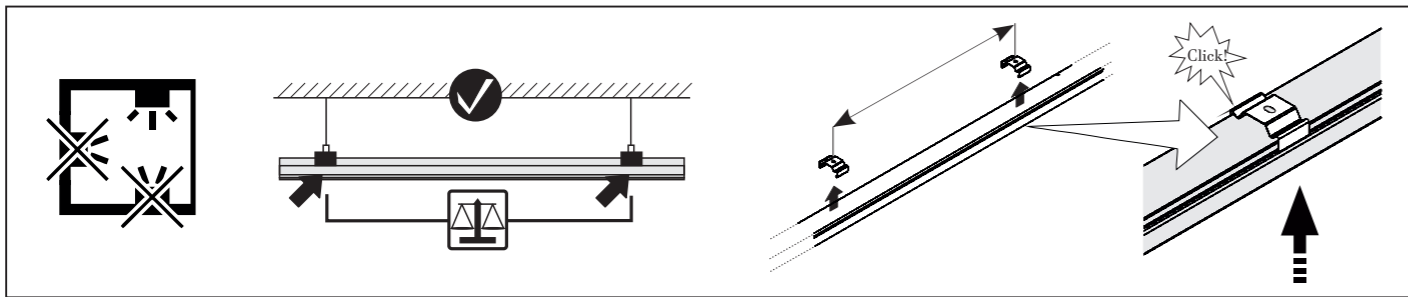


© 2019 Signify Holding. All rights reserved. This document contains information relating to the product portfolio of Signify which information may be subject to change. No representation or warranty as to the accuracy or completeness of the information included herein is given and any liability for any action in reliance thereon is disclaimed. The information presented in this document is not intended as any commercial offer and does not form part of any quotation or contract. Philips and the Philips Shield Emblem are registered trademarks of Koninklijke Philips N.V.. All other trademarks are owned by Signify Holding or their respective owners.

Signify Holding.
The Netherlands



4427 102 93112
© 05/2022 Signify Holding. All rights reserved



LL500Z PB

