

Description

H36TAT is a Non-IC AIR-TITE™ fixture for use with H3 3" series trims. Housing is AIR-TITE rated to prevent airflow between heated or air conditioned spaces and unconditioned attic areas. For use with 120V GU10 lamps.

Non-IC Housing is AIR-TITE™ but insulation must be kept 3" away from all sides of housing.

Catalog #		Type
Project		
Comments		Date
Prepared by		

Specification Features

Housing

Formed of 20 gauge CRS with white powder coat finish.

Plaster Frame

Housing adjusts in plaster frame to accommodate up to 1-1/2" ceiling thickness. Galvanized steel construction.

Plaster frame features include:

- Regressed locking screw for securing hanger bars.
- Cutouts for easily crimping hanger bars in position.
- HALO name embossed on plaster frame.
- The housing may be removed from the plaster frame to provide access to the junction box.
- Pre-installed AIR-TITE gasket.

Got NAIL!™ Bar Hangers

- Pre-installed nail easily installs in regular lumber, engineered lumber and laminated beams.
- Safety and guidance system prevents snagging, ensures smooth straight nail penetration and allows bar hangers to be easily removed if necessary.

- Automatic levelling flange aligns the housing and lets you hold the housing in place with one hand while driving nails.
- Housing can be positioned at any point within 24" joist span.
- Pass-N-Thru™ feature allows bar hangers to be shortened without removing from plaster frame.
- Score lines allow "toolless" shortening for 12" joists.
- Bar hangers may be repositioned 90°.
- Integral T-bar clip snaps onto T-bars - no additional clips required.

Junction Box

- UL Listed for through branch circuit wiring (maximum 8 No.12 ga., 90°C conductors).
- Four 1/2" trade size conduit knockouts with true pry-out slots are positioned to accommodate straight conduit runs.
- Three Slide-N-Side™ wire traps allow non-metallic sheathed cable to be installed without tools and without removing knockouts. Accepts a wide range of non-metallic sheathed cable.

- Allows wiring connections to be made outside the junction box.
- Simply insert the cable directly into the trap after connections are made.
- Three push-in wire connectors are included and eliminate the need for separate wire nuts.
- Accommodates the following standard non-metallic sheathed cable sizes:
(US) #14/2, #14/3, #12/2, #12/3
(Canada) #14/2, #14/3, #12/2

Socket

GU10 socket for 120V GU10 lamps.

Labels

- UL/cUL Listed 1598 Luminaire
- UL/cUL Damp Location Listed
- UL/cUL Listed for Feed Through
- Certified Under ASTM-E283 for air tight construction



H36TAT

AIR-TITE™ Recessed Housing
120V GU10

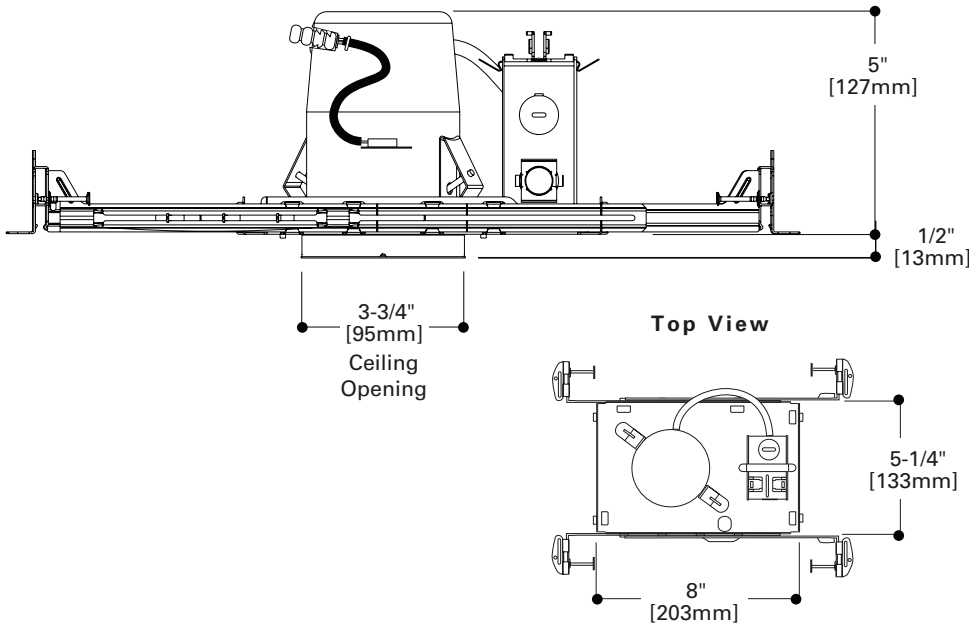
3" TRIMS

FOR USE IN NON-INSULATED CEILINGS

CAN BE USED IN INSULATED CEILINGS BUT INSULATION MUST BE KEPT 3" FROM ALL SIDES OF THE HOUSING



120V GU10



Special Features

- Slide-N-Side™ Junction Box
- GOT NAIL!™ Bar Hangers
- Pass-N-Thru™ Bar Hangers
- Regressed Locking Screw
- HALO ID on Plaster Frame

Ordering Information

Sample Number: H36TAT-3001WHBB
Order housing and trims separately.

Housing

H36TAT = 3" AIR-TITE™ Non-IC Small Aperture Line Voltage GU10 Housing

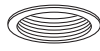
Trims



Adjustable Pinhole Baffle - 15° Tilt
50W 120V GU10
OD: 4-1/4" [108mm]
3001WHBB=White with Black Baffle
3001BKBB=Black with Black Baffle
3001SNBB=Satin Nickel with Black Baffle
3001TBZBB=Tuscan Bronze with Black Baffle



Adjustable Pinhole Reflector- 15° Tilt
50W 120V GU10
OD: 4-1/4" [108mm]
3002WHC=White with Clear Reflector



Adjustable Baffle- 35° Tilt
50W 120V GU10
OD: 4-1/4" [108mm]
3003WHBB=White with Black Baffle
3003WHWB=White with White Baffle
3003BKBB=Black with Black Baffle
3003SNB=Satin Nickel with Satin Nickel Baffle
3003TBZB=Tuscan Bronze with Tuscan Bronze Baffle



Adjustable Reflector- 35° Tilt
50W 120V GU10
OD: 4-1/4" [108mm]
3004WHC=White with Clear Reflector
3004SN=Satin Nickel with Satin Nickel Reflector
3004TBZ=Tuscan Bronze with Tuscan Bronze Reflector
3004WHH=White with Haze Reflector
3004WHW=White with White Reflector



Adjustable Slot Aperture- 35° Tilt
50W 120V GU10
OD: 4-1/4" [108mm]
3006WHBB=White with Black Baffle
3006BKBB=Black with Black Baffle
3006SNBB=Satin Nickel with Black Baffle
3006TBZBB=Tuscan Bronze with Black Baffle



Regressed Lens Showerlight- 15° Tilt - Wet Location Listed
50W 120V GU10
OD: 4-1/4" [108mm]
3007WHC=White with Clear Reflector
3007PCC=Polished Chrome with Clear Reflector
3007SN=Satin Nickel with Satin Nickel Reflector
3007TBZ=Tuscan Bronze with Tuscan Bronze Reflector



Showerlight - Wet Location Listed
50W 120V GU10
OD: 4-1/4" [108mm]
3008FG=White Polymer and Glass Lens with Frosted Perimeter



Adjustable Gimbal- 35° Tilt
50W 120V GU10
OD: 4-1/4" [108mm]
3009WHBB=White with Black Baffle
3009WHWB=White with White Baffle
3009BKBB=Black with Black Baffle
3009SNBB=Satin Nickel with Black Baffle
3009TBZBB=Tuscan Bronze with Black Baffle



Super Adjustable- 0 - 80° Adjustment
50W 120V GU10
OD: 4-1/4" [108mm]
3010WH=White
3010SN=Satin Nickel
3010TBZ=Tuscan Bronze



Square Adjustable - 15° Tilt
50W 120V GU10
OD: 4-1/4" [108mm]
3011WHBB=White with Black Baffle
3011WHWB=White with White Baffle
3011BKBB=Black with Black Baffle
3011SNBB=Satin Nickel with Black Baffle
3011TBZBB=Tuscan Bronze with Black Baffle



Square Regressed Lens Adjustable Showerlight - 15° Tilt
50W 120V GU10
OD: 4-1/4" [108mm]
3012WHBB=White with Black Baffle
3012WHWB=White with White Baffle
3012BKBB=Black with Black Baffle
3012SNBB=Satin Nickel with Black Baffle
3012TBZBB=Tuscan Bronze with Black Baffle



Square Adjustable Gimbal - 35° Tilt
50W 120V GU10
OD: 4-1/4" [108mm]
3013WH=White
3013BK=Black
3013SN=Satin Nickel
3013TBZ=Tuscan Bronze



All-Glass Frost Curve Showerlight - Wet Location Listed
50W 120V GU10
OD: 4-1/4" [108mm]
3017FGS=All-Glass Frost Curve with Clear Glass Center - Showerlight



Wall Wash
50W 120V GU10
OD: 4-1/4" [108mm]
3020WW=White Downlight & Wall Wash with Integral Kick Reflector

Accessories

Lamp

Z28 = GU10, 50W, 120V lamp