

DESCRIPTION

H36LVTAT is a Non-IC AIR-TITE™ fixture for use with H3 3" series trims. Housing is AIR-TITE rated to prevent airflow between heated or air conditioned spaces and unconditioned attic areas. For use with 12V MR16 lamps. Non-IC Housing is AIR-TITE™ but insulation must be kept 3" away from all sides of housing.

Catalog #		Type
Project		
Comments		Date
Prepared by		

SPECIFICATION FEATURES

Housing

Formed of 20 gauge CRS with white powder coat finish.

Plaster Frame

Housing adjusts in plaster frame to accommodate up to 1-1/2" ceiling thickness. Galvanized steel construction.

Plaster frame features include:

- Regressed locking screw for securing hanger bars.
- Cutouts for easily crimping hanger bars in position.
- Halo name embossed on plaster frame.
- The housing may be removed from the plaster frame to provide access to the junction box.
- Pre-installed AIR-TITE gasket

Got NAIL!™ Bar Hangers

- Pre-installed nail easily installs in regular lumber, engineered lumber and laminated beams.
- Safety and guidance system prevents snagging, ensures smooth straight nail penetration and allows bar hangers to be easily removed if necessary.
- Automatic levelling flange aligns the housing and lets you hold the housing in place with one hand while driving nails.

- Housing can be positioned at any point within 24" joist span
- Pass-N-Thru™ feature allows bar hangers to be shortened without removing from plaster frame.
- Score lines allow "toolless" shortening for 12" joists.
- Bar hangers may be repositioned 90°.
- Integral T-bar clip snaps onto T-bars - no additional clips required.

Junction Box

- UL Listed for through branch circuit wiring (maximum 8 No.12 ga., 90°C conductors).
- Four 1/2" trade size conduit knockouts with true pry-out slots are positioned to accommodate straight conduit runs.
- Three Slide-N-Side™ wire traps allow non-metallic sheathed cable to be installed without tools and without removing knockouts. Accepts a wide range of non-metallic sheathed cable.
 - Allows wiring connections to be made outside the junction box.
 - Simply insert the cable directly into the trap after connections are made.
 - Three push-in wirw connectors

are included and eliminate the need for separate wire nuts.

- Accommodates the following standard non-metallic sheathed cable sizes:
(US) #14/2, #14/3, #12/2, #12/3
(Canada) #14/2, #14/3, #12/2

Transformer

Integral 120V dual-tap magnetic transformer steps 120V or 277V line voltage down to 12V nominal lamp operating voltage. Housing is rated for up to 50W MR16 lamps. Housing ships as 277V model with 120V transformer wire lead capped. For use in 120V systems, simply cap the 277V wire lead and use 120V lead (refer to wiring diagram).

Socket

GU5.3 socket for 12V MR16 lamps

Labels

- UL/cUL Listed 1598 Luminaire
- UL/cUL Damp Location Listed
- UL/cUL Listed for Feed Through
- Certified Under ASTM-E283 for air tight construction



H36LVTAT H36LVTAT277 H36LVTATCP

**3" Non-Insulated Ceiling
AIR-TITE™ Recessed Housing
12V MR16**

3" TRIMS

FOR USE IN NON-
INSULATED CEILINGS

CAN BE USED IN
INSULATED CEILINGS
BUT INSULATION MUST
BE KEPT 3"
FROM ALL SIDES OF
THE HOUSING



12V MR16

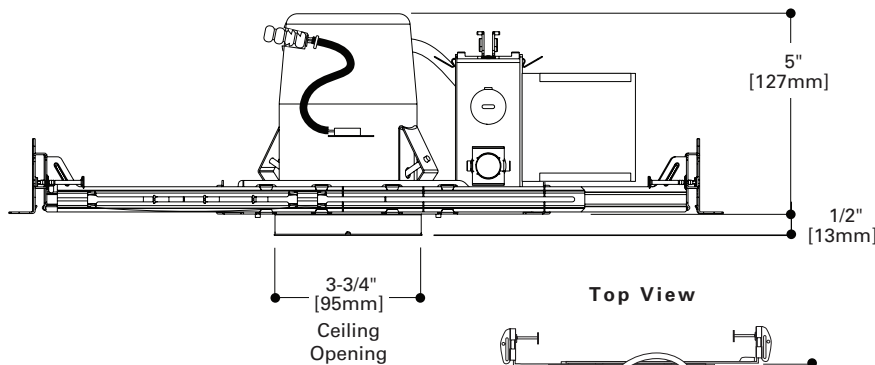
Transformer Data:

Type: Magnetic
Primary: 120VAC, 60 Hz
(H36LVTAT277 Primary: 120V
or 277VAC, 60Hz)
Secondary: 11.5 ±0.3V

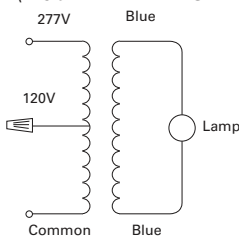
air-tite™



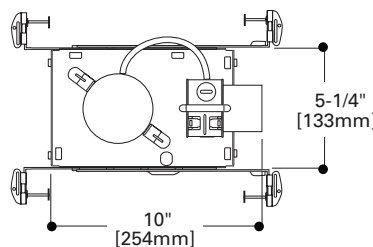
- Slide-N-Side™ Junction Box
- GOT NAIL!™ Bar Hangers
- Pass-N-Thru™ Bar Hangers
- Regressed Locking Screw
- HALO ID on Plaster Frame



Wiring Diagram
(H36LVTAT277 ONLY)



Top View



ORDERING INFORMATION

SAMPLE NUMBER: H36LVTAT-3001WHBB

Order housing and trims separately.

Housing

Trims

H36LVTAT

H36LVTAT=3" AIR-TITE™

Non-IC Small
Aperture Low
Voltage MR16
Housing

H36LVTAT277=3" AIR-TITE™

Non-IC Small
Aperture 120/277 Low
Voltage MR16
Housing

H36LVTATCP=3" Non-IC Small

Aperture Low
Voltage MR16
Chicago Plenum Housing



3001

**Adjustable Pinhole Baffle - 15° Tilt
50W 12V MR16**

3001WHBB=White with Black Baffle
3001BKBB=Black with Black Baffle
3001SNBB=Satin Nickel with Black Baffle
3001TBZBB=Tuscan Bronze with Black Baffle
OD: 4-1/4" [108mm]



3009

**Adjustable Gimbal- 35° Tilt
50W 12V MR16**

3009WHBB=White with Black Baffle
3009WHWB=White with White Baffle
3009BKBB=Black with Black Baffle
3009SNBB=Satin Nickel with Black Baffle
3009TBZBB=Tuscan Bronze with Black Baffle
OD: 4-1/4" [108mm]



3017

**All-Glass Frost Curve Showerlight -
Wet Location Listed
50W 12V MR16**

3017FGS=All-Glass Frost Curve with Clear
Glass Center - Showerlight
OD: 4-1/4" [108mm]



3002

**Adjustable Pinhole Reflector- 15° Tilt
50W 12V MR16**

3002WHC=White with Clear Reflector
OD: 4-1/4" [108mm]



3010

**Super Adjustable- 0 - 80° Adjustment
50W 12V MR16**

3010WH=White
3010SN=Satin Nickel
3010TBZ=Tuscan Bronze
OD: 4-1/4" [108mm]



3020

**Wall Wash
50W 12V MR16**

3020WW=White Downlight & Wall Wash
with Integral Kick Reflector
OD: 4-1/4" [108mm]



3003

**Adjustable Baffle- 35° Tilt
50W 12V MR16**

3003WHBB=White with Black Baffle
3003WHWB=White with White Baffle
3003BKBB=Black with Black Baffle
3003SNBB=Satin Nickel with Satin Nickel Baffle
3003TBZBB=Tuscan Bronze with Tuscan Bronze Baffle
OD: 4-1/4" [108mm]



3011

**Square Adjustable - 15° Tilt
50W 12V MR16**

3011WHBB=White with Black Baffle
3011WHWB=White with White Baffle
3011BKBB=Black with Black Baffle
3011SNBB=Satin Nickel with Black Baffle
3011TBZBB=Tuscan Bronze with Black Baffle
OD: 4-1/4" [108mm]



3004

**Adjustable Reflector- 35° Tilt
50W 12V MR16**

3004WHC=White with Clear Reflector
3004SN=Satin Nickel with Satin Nickel Reflector
3004TBZ=Tuscan Bronze with Tuscan Bronze Reflector
3004WHH=White with Haze Reflector
3004WHW=White with White Reflector
OD: 4-1/4" [108mm]



3012

**Square Regressed Lens Adjustable
Showerlight - 15° Tilt
50W 12V MR16**

3012WHBB=White with Black Baffle
3012WHWB=White with White Baffle
3012BKBB=Black with Black Baffle
3012SNBB=Satin Nickel with Black Baffle
3012TBZBB=Tuscan Bronze with Black Baffle
OD: 4-1/4" [108mm]



3006

**Adjustable Slot Aperture- 35° Tilt
50W 12V MR16**

3006WHBB=White with Black Baffle
3006BKBB=Black with Black Baffle
3006SNBB=Satin Nickel with Black Baffle
3006TBZBB=Tuscan Bronze with Black Baffle
OD: 4-1/4" [108mm]



3013

**Square Adjustable Gimbal - 35° Tilt
50W 12V MR16**

3013WH=White
3013BK=Black
3013SN=Satin Nickel
3013TBZ=Tuscan Bronze
OD: 4-1/4" [108mm]



3007

**Regressed Lens Showerlight- 15° Tilt -
Wet Location Listed
50W 12V MR16**

3007WHC=White with Clear Reflector
3007PCC=Polished Chrome with Clear Reflector
3007SN=Satin Nickel with Satin Nickel Reflector
3007TBZ=Tuscan Bronze with Tuscan Bronze Reflector
OD: 4-1/4" [108mm]



3008

**Showerlight - Wet Location Listed
50W 12V MR16**

3008FG=White Polymer and Glass Lens with
Frosted Perimeter
OD: 4-1/4" [108mm]