

## DESCRIPTION

The MSLED600 series outdoor security light provides the comfort of a security light, without the hassle of wiring a conventional fixture. Delivering 650 lumens when fully charged, this product is perfect for wall or eave mount. Install the solar panel virtually anywhere with the 16' cord (included). The integrated 180 degree motion sensor automatically turns the light on when motion is detected. This product features a replaceable battery that ensures you are charged and ready to go even in those not so sunny days. Available in bronze and white finishes.

|                    |  |             |
|--------------------|--|-------------|
| <b>Catalog #</b>   |  | <b>Type</b> |
| <b>Project</b>     |  |             |
| <b>Comments</b>    |  | <b>Date</b> |
| <b>Prepared by</b> |  |             |

## SPECIFICATION FEATURES

### Construction

- Durable polycarbonate housing suitable for wet locations
- 6" x 8" amorphous solar panel with 16' cord
- One-handed adjustments to fixture head and motion sensor possible
- UV stable polycarbonate lens
- Suitable for wall or eave mounting

### Electrical

- Replaceable Li-ion battery

### Optics

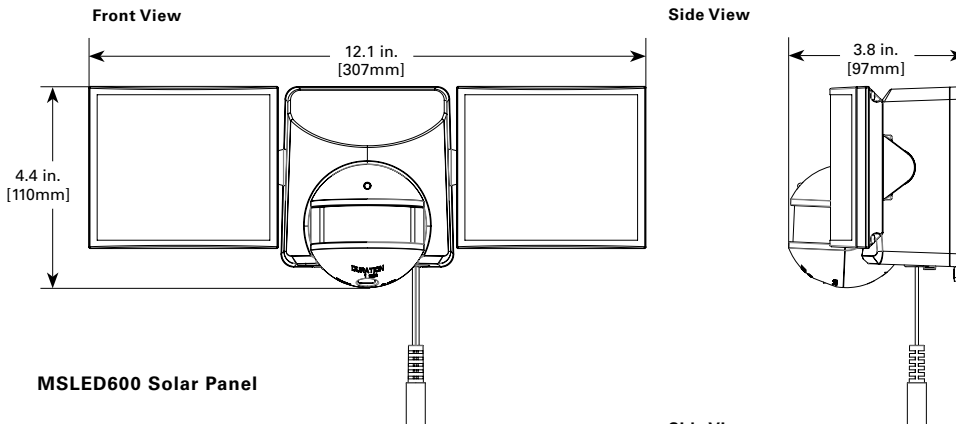
- Produces 650 lumens when fully charged
- Frosted lens for even light distribution
- 4000K CCT (bright white) perfect for security applications

### Warranty

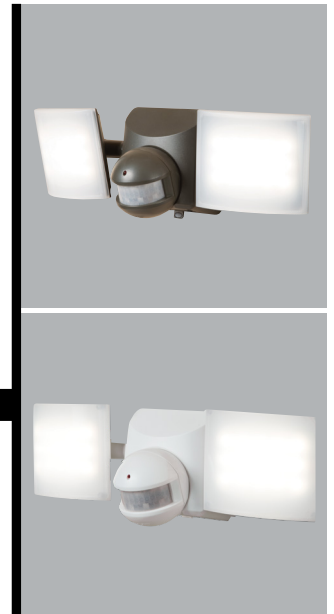
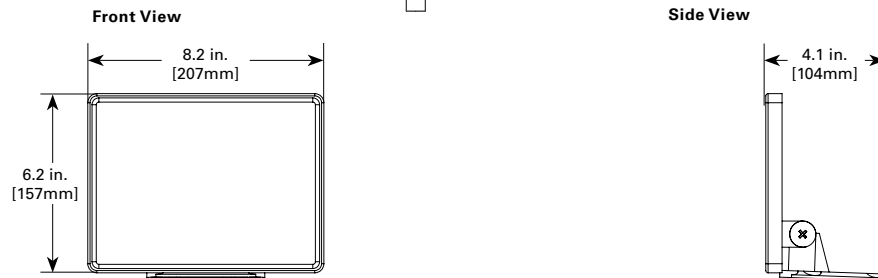
1 year limited warranty

## DIMENSIONS

### MSLED600



### MSLED600 Solar Panel



## MSLED600 SERIES

Solar Powered LED  
Motion Activated

### TECHNICAL DATA

650 lumens  
100 min runtime  
4000K CCT  
84 CRI

## ORDERING INFORMATION

| Model     | Description                      | Finish |
|-----------|----------------------------------|--------|
| MSLED600  | LED twin head with motion sensor | Bronze |
| MSLED600W | LED twin head with motion sensor | White  |