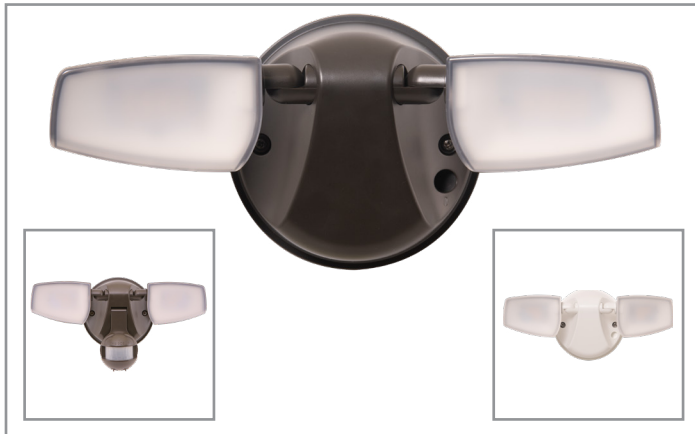


Project		Catalog #		Type	
Prepared by		Notes		Date	



HALO OUTDOOR

ESF Floodlights

ESF twin head LED Security Floodlight provides energy-efficient, low-maintenance lighting solution for outdoor areas. Available in 1420 lumen and 2372 lumen Flood, Dusk-to-Dawn, or Motion activated fixture. Integrated LEDs are rated at 50,000 hours of maintenance free operation.

This flood light is ideal for walkways, yards, patios, play areas and driveways creating an inviting exterior space as well as providing safety and security. Diffused lens is fully gasketed to keep out moisture, dirt, bugs and other contaminants. Available in white and bronze finish

Typical Applications

Retail, Residential , Outdoor Area/Site

Product Certification



Product Features



Interactive Menu

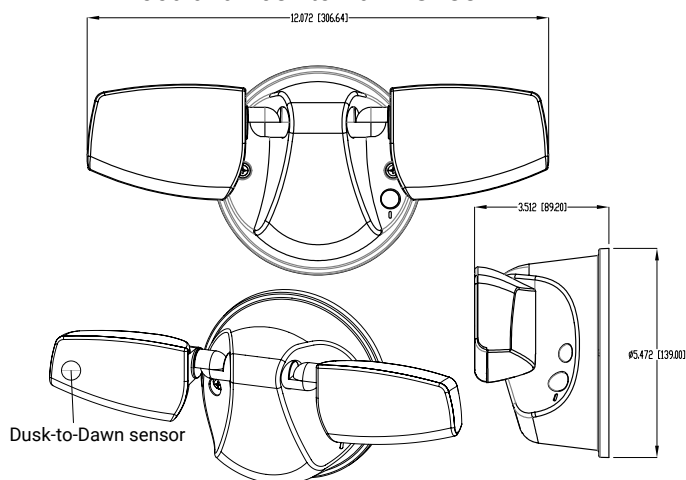
- Order Information [page 2](#)
- Product Specifications [page 2](#)
- Product Warranty [page 2](#)
- Photometric Data [page 3](#)

Top Product Features:

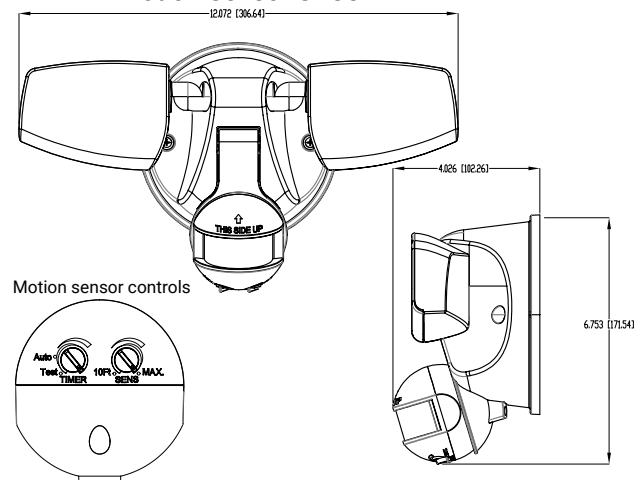
- Constructed of rust-free polycarbonate housing
- Available in textured white and bronze finish
- 50,000 hours of rated LED life
- Rated for damp and wet locations
- Zero maintenance LED fixture
- 1-year warranty

Dimensions:

Flood and Dusk-to-Dawn SKUs



Motion Sensor SKUs



Order Information

SAMPLE ORDER NUMBER: **ESF2A4FB /ESF1A4DB/ ESF2A4MB**

Family	Lumens	CCT	Options	Finish
ESF	1A = 1420 lumens (Nominal) 2A = 2372 lumens (Nominal)	4= 4000K	F = Flood D = Dusk-to-Dawn M = Motion + Dusk-to-Dawn	B= Bronze W= White

* Motion sensor SKU includes Dusk to Dawn photocell for On/Off function

Product Specifications

Construction

- Lightweight, rust free polycarbonate construction
- Tool-less head and motion sensor adjustment
- Wall or eave mounted to recessed junction boxes

Optics

- Sleek wrap around lens design to push more light to where you need it

Electrical

- 120VAC, 60Hz
- Built to last with maintenance-free
- LEDs with 50,000 life hours
- Fixture operating temperature of -30°C to 40°C
- External supply wiring 75°C minimum
- Integral photocell allows for nighttime ON / daytime OFF operation (Integrated sensor SKUs only)
- The motion sensor has a 180° detection up to 50' range, with adjustable sensitivity and duration from 1-12 minutes. (Motion sensor SKUs only)

Compliance

- UL certified for US and Canada for wet locations
- EMI/RFI emissions per FCC 47CFR Part 15B
- Contains no mercury or lead and RoHS compliant.
- Photometric testing in accordance with IES LM-79-08
- Lumen maintenance projections in accordance with IES LM-80-08 and TM-21-11.

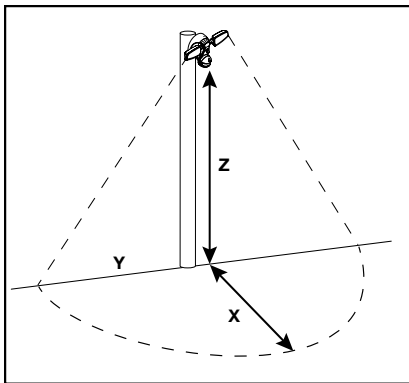
Finish

- Textured Bronze and White Finish

Warranty

- One year limited warranty, consult website for details. www.cooperlighting.com

Suggested Mounting Height



X = Forward Throw
Y = Wall Spread
Z = Mounting Heights

Notes:

Forward throw X = 1/2 Y for wall-mount applications only
See IES files for detailed photometry

Minimum Footcandles (FC)		0.50 FC					
Mounting Height (Z)		10'		15'		20'	
Catalog Number	Lumens	X	Y	X	Y	X	Y
ESF1A4DB / ESF1A4DW ESF1A4FB / ESF1A4FW ESF1A4MB / ESF1A4MW	1420	26	26	30	30	31	31
ESF2A4DB / ESF2A4DW ESF2A4FB / ESF2A4FW ESF2A4MB / ESF2A4MW	2372	32	32	36	36	40	40

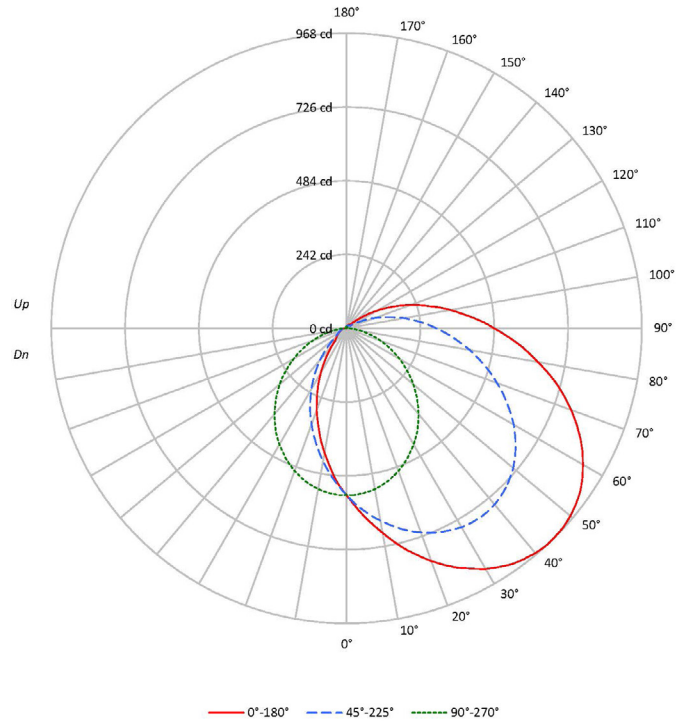
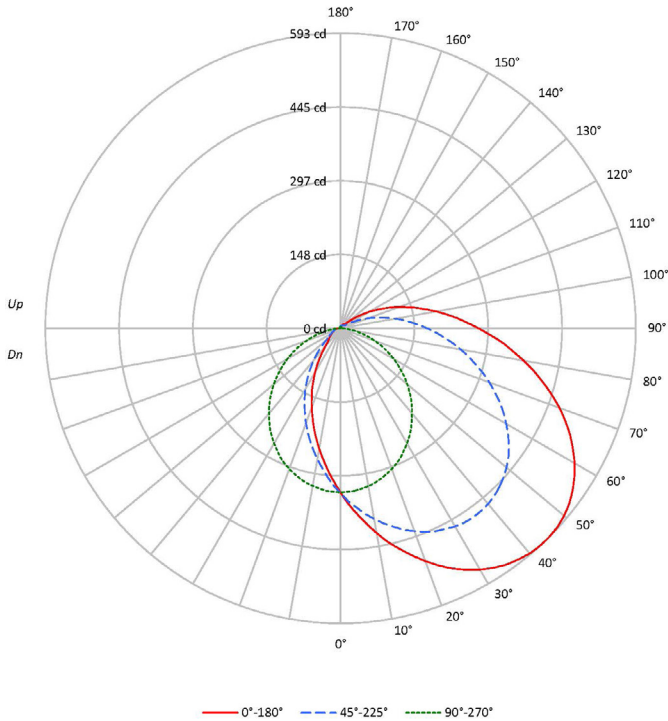
Photometric Data

Series	Voltage (V)	Power (W)	Delivered Lumens	Efficacy (Lum/ Watt)	Led Color Temperature (K)	CRI	Controls
ESF1A4DB	120V	15.0	1420	95.5	4000K	80	INTEGRATED PHOTOCELL
ESF1A4DW	120V	15.0	1420	95.5	4000K	80	INTEGRATED PHOTOCELL
ESF1A4FB	120V	15.0	1420	95.5	4000K	80	NONE
ESF1A4FW	120V	15.0	1420	95.5	4000K	80	NONE
ESF1A4MB*	120V	15.0	1420	95.5	4000K	80	MOTION SENSOR
ESF1A4MW*	120V	15.0	1420	95.5	4000K	80	MOTION SENSOR
ESF2A4DB	120V	23.9	2372	99.2	4000K	80	INTEGRATED PHOTOCELL
ESF2A4DW	120V	23.9	2372	99.2	4000K	80	INTEGRATED PHOTOCELL
ESF2A4FB	120V	23.9	2372	99.2	4000K	80	NONE
ESF2A4FW	120V	23.9	2372	99.2	4000K	80	NONE
ESF2A4MB*	120V	23.9	2372	99.2	4000K	80	MOTION SENSOR
ESF2A4MW*	120V	23.9	2372	99.2	4000K	80	MOTION SENSOR

*Inventory available in May 2021

Photometric Data : ESF1A4DB / ESF1A4DW
 ESF1A4FB / ESF1A4FW
 ESF1A4MB / ESF1A4MW

Photometric Data : ESF2A4DB / ESF2A4DW
 ESF2A4FB / ESF2A4FW
 ESF2A4MB / ESF2A4MW



FIELD PERFORMANCE MAY DIFFER FROM LABORATORY PERFORMANCE

3 of

FIELD PERFORMANCE MAY DIFFER FROM LABORATORY PERFORMANCE

3 of

ZONAL LUMENS:

Zone	Lumens	% Fixture
0°-10°	31.3	2.2
10°-20°	91.3	6.4
20°-30°	142.6	10.0
30°-40°	179.2	12.5
40°-50°	197.3	13.8
50°-60°	197.7	13.8
60°-70°	179.8	12.6
70°-80°	148.1	10.3
80°-90°	110.0	7.7
90°-100°	73.5	5.1
100°-110°	43.5	3.0
110°-120°	21.5	1.5
120°-130°	8.0	0.6
130°-140°	3.2	0.2
140°-150°	2.4	0.2
150°-160°	1.6	0.1
160°-170°	0.8	0.1
170°-180°	0.2	0.0
0°-30°	265.2	18.5
0°-40°	444.4	31.0
0°-60°	839.4	58.6
0°-90°	1277.3	89.2
90°-120°	138.4	9.7
90°-150°	152.0	10.6
90°-180°	155.0	10.8
0°-180°	1432.0	100.0

ZONAL LUMENS:

Zone	Lumens	% Fixture
0°-10°	52.0	2.2
10°-20°	151.0	6.4
20°-30°	234.6	9.9
30°-40°	293.1	12.4
40°-50°	321.2	13.5
50°-60°	322.4	13.6
60°-70°	295.9	12.5
70°-80°	247.0	10.4
80°-90°	186.9	7.9
90°-100°	127.0	5.4
100°-110°	76.1	3.2
110°-120°	37.6	1.6
120°-130°	13.5	0.6
130°-140°	5.3	0.2
140°-150°	3.8	0.2
150°-160°	2.6	0.1
160°-170°	1.4	0.1
170°-180°	0.4	0.0
0°-30°	437.6	18.4
0°-40°	730.7	30.8
0°-60°	1374.3	57.9
0°-90°	2104.1	88.7
90°-120°	240.8	10.2
90°-150°	263.3	11.1
90°-180°	268.0	11.3
0°-180°	2371.7	100.0