

DESCRIPTION

The Sure-Lites ELX Series Recessed Exits are designed for architectural excellence and minimal presence. The crystal clear wedge shaped panel allows architectural details to shine through while providing excellent light distribution and exit visibility.

Catalog #		Type
Project		
Comments		Date
Prepared by		

SPECIFICATION FEATURES

Electrical

- Dual Voltage Input, 120/277 VAC or 120/347 VAC, 60Hz
- Long-life energy efficient LED lamps

2C Option

- Exits with 2C option are intended to be connected simultaneously to normal and emergency power circuits. UL Listed in category FTBR
- 2C option only supports one hot feed at a time

Housing Construction

- 20-gauge steel housing with nine conduit knockouts
- Recessed housing available for ceiling, wall or end mounting
- Adjustable hanger bars
- Modular connectors facilitate installation and maintenance

Trim/Housing Plate

- Injection molded high-impact acrylic panel
- NFPA 101 compliant chevron directional indicators (when specified)
- Die cast trim plate in Brushed Aluminum (standard), White, and Black
- Red or green letter colors
- Clear, mirror, or white insert background
- Mirror background standard on double face exits
- Molded letters and chevrons improve aesthetic appearance and increase visibility
- Torsion springs secure trim plate to housing - no visible mounting hardware
- Easily removable electronics tray

Code Compliance

- UL 924 Listed
- Damp Location Listed
- Life Safety NFPA 101
- NEC/OSHA
- Most State and Local Codes
- UL FTBR Listed with 2C Option

Warranty

- Exit: 5-year

Lamp Data

- AC LED, Red: 56 super-bright, long-life LEDs provide uniform illumination
- AC LED, Green: 96 super-bright, long-life LEDs provide uniform illumination



ELX SERIES

EDGE LIT EXITS
AC ONLY
LED LAMPS
EXIT LIGHTING



ORDERING INFORMATION

SAMPLE NUMBER: ELX610095BLRC

Series	Face Options	Battery	Factory Options	Trim Finish
ELX6=Edgelit Exit AC-Only LED Lamps	1=Single 2=Double	00=No Battery	_ =No Options 95=AC Only Fire Alarm Interface	[Blank]=Brushed Aluminum BL=Black WH=White
Letters / Background		Chevron Direction		
G=Green / Clear (Single Face Only) GM=Green / Mirror GW=Green / White R=Red / Clear (Single Face Only) RM=Red / Mirror RW=Red / White		[Blank]=No Chevron AL=Left Chevron AR=Right Chevron ARL=Chevrons Right / Left (Double Face Only) DA=Double Chevron		
Voltage	Mounting Options		Options	
[Blank]=120 / 277V 47=120 / 347 VAC	C=Ceiling E=End W=Wall		2C= Two Circuit Operation (ELX6 Only)	

ENERGY DATA

Maximum power consumption under all charge conditions:

LED Exits, Red Letters

Input Power:
120V = 1.5W
277V = 2.1W
347V = 2.0W
Input Current (Max.):
120V = .04A
277V = .04A
347V = .04A
Power Factor:
120V = >.34
277V = >.19
347V = >.15
T.H.D.:
120V = <35%
277V = <19%
347V = <17%

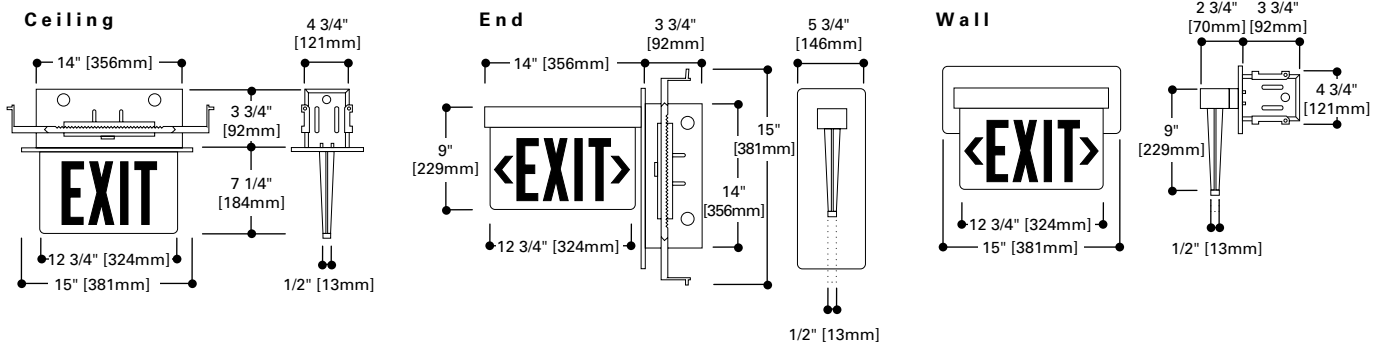
LED Exits, Green Letters

Input Power:
120V = 3.0W
277V = 3.1W
347V = 3.2W
Input Current (Max.):
120V = .03A
277V = .03A
347V = .03A
Power Factor:
120V = >.73
277V = >.34
347V = >.28
T.H.D.:
120V = <50%
277V = <30%
347V = <26%

CHEVRON CONFIGURATION

	FRONT	BACK	FACE
AR.....	EXIT>	Blank	Single
AL.....	<EXIT	Blank	Single
DA.....	<EXIT>	Blank	Single
DA.....	<EXIT>	<EXIT>	Double
ARL.....	EXIT>	<EXIT	Double

MOUNTING OPTIONS



TECHNICAL DATA

Lamps

Optimized for energy efficiency and aesthetic appearance, the ELX Series Exit uses superbright, long-life LED lamps to illuminate the exit lens.

Electrical

The electronics tray with quick connect AC power connectors, integral handles, and simple wiring combine to make installation of the ELX Series Exit fast and easy. AC Only versions are standard 120/277 VAC or can also be specified as 120/347 VAC. If necessary, ELX Series electronics trays, housings, and trim assemblies can be shipped separately for rough-in situations.

Housing Construction

The rugged 20-gauge dieformed cold rolled steel housing is finished with white corrosion resistant polyester powder coat paint. Housing has conduit knockouts in top, end and sides for easy AC wiring connections. Fully adjustable, captive bar hangers make installation easy. The ELX Series Exit is compatible with grid ceiling systems or hard ceiling and wall applications. Ceiling, end, and wall mount fixtures use one common housing which is suitable for mounting in 2 x 4 construction.

Trim

The high-impact, clear acrylic lens panel with precision molded lettering and NFPA 101 compliant directional chevrons makes the face panel of this exit sign clearly superior. A choice of red or green letter colors and clear, mirror, or white drop-in background inserts enables precise control of the fixture's aesthetic appearance. The rugged die cast trim plate is attached to the housing back box with torsion springs to insure a tight fit against any wall or ceiling surface. Foam gasketing insures against unsightly light leaks. The standard brushed aluminum finish blends with most any decor. Other finishes are available.

Warranty

All Sure-Lites' products are backed by a firm five-year warranty against defects in material and workmanship.

"2C" Option (AC Only)

- Enables the exits to operate per the requirements of UL 924 when connected simultaneously to both normal and emergency power circuits (two circuit operation –UL Category FTBR–Emergency Lighting and Power Equipment)
- The "2C" Option alters the standard Exit such that it complies with and is UL Listed under the FTBR Category
- This option should only be used for exits which are intended to be connected simultaneously to normal and emergency power circuits, but cannot support two hot inputs. Only one of the normal or emergency circuits can be powered. If both are powered simultaneously, it will make the Exit in operable.
- Both circuits have universal 120/277 VAC standard