

Installation Instructions for the Sure-Lites SELM25R16SD / SELM50R14SD / SELM60R10SD Emergency Light

WARNING

Risk of Fire/Electric Shock

If not qualified, consult an electrician.

WARNING

Risk of Electric Shock

Disconnect power at fuse or circuit breaker before installing or servicing.

IMPORTANT SAFEGUARDS

WHEN USING ELECTRICAL EQUIPMENT, BASIC SAFETY PRECAUTIONS SHOULD ALWAYS BE OBSERVED INCLUDING THE FOLLOWING.

READ AND FOLLOW ALL SAFETY INSTRUCTIONS

1. Do not use outdoors.
2. Do not use in hazardous locations, or near gas or electric heaters.
3. Do not let power supply cords touch hot surfaces.
4. Do not use this equipment for other than the intended use.
5. Installation is to be performed only by qualified personnel.
6. Install in accordance with National Electric Code and local regulatory agency requirements.
7. The use of accessory equipment not recommended by the manufacturer may cause an unsafe condition.
8. Equipment should be mounted in locations and at heights where it will not readily be subjected to tampering by unauthorized personnel.

SAVE THESE INSTRUCTIONS

MAX MOUNTING HEIGHT: 27.6 ft.

INSTALLATION

1. De-energize the circuit at the junction box (J-box) where the emergency light is to be installed.
2. Open the emergency light by removing the sheet metal screw from the bottom of the fixture, then tipping the cover up off of the backplate (See Fig. 1).
3. To mount to a junction box - Knock out the appropriate mounting pattern and the wire pass hole in the backplate to fit the J-box being used.

4. To mount using conduit, mount the backplate to the wall in the desired location. Attach a conduit hub to whichever of the three conduit mount points on the backplate is most convenient. (see Fig. 2) Remove the corresponding U shaped cover from the housing by wiggling it back and forth until it breaks free. (see Fig. 3)

NOTE: A fourth conduit mount location is available on the bottom surface of the housing, but it can only be used with flex conduit.

5. Once the backplate is secured, the housing can be held in place during installation using the EZ Hang feature. (Fig. 2)
6. Connect incoming ground to the green ground wire.
7. Connect the incoming wires to the fixture's power supply wires using the wire nuts provided. Connect the white wire to neutral. Connect the black wire to the hot lead. The SELM25R16SD / SELM50R14SD / SELM60R10SD uses a universal input power supply that will accept from 120-277VAC (see Schematic).
8. Determine the incoming voltage, and select the appropriate jumper for the brownout circuit (see Schematic). Because of the universal input of the SELM25R16SD / SELM50R14SD / SELM60R10SD, the battery charger will continue to function if voltage sags, even if the normal power lights in the area fail. Selecting the appropriate incoming voltage sets the voltage threshold for the brownout circuit, so that the emergency lights will come on if voltage sags. The fixture ships with the circuit set to 120V.
9. LED remotes can be connected using the violet (+) and yellow (-) wires. See schematic.
10. Replace the housing onto the backplate. Secure the backplate with the sheet metal screw.
11. Remove EZ Key to connect the battery. Battery will not charge with the EZ Key in place.
12. Energize AC supply. The test button should illuminate, and the LED heads will illuminate briefly when the test button is pushed.
13. Adjust remote heads (not included) as needed.
14. Allow 24 hours for batteries to charge.
15. If the fixture is to be powered down for an extended period after initial installation, replace the EZ Key. This will prevent the battery from discharging when AC power is removed. However, it will also prevent the battery from charging when AC power is restored, so it must be removed once the unit is ready for regular operation.

Figure 1

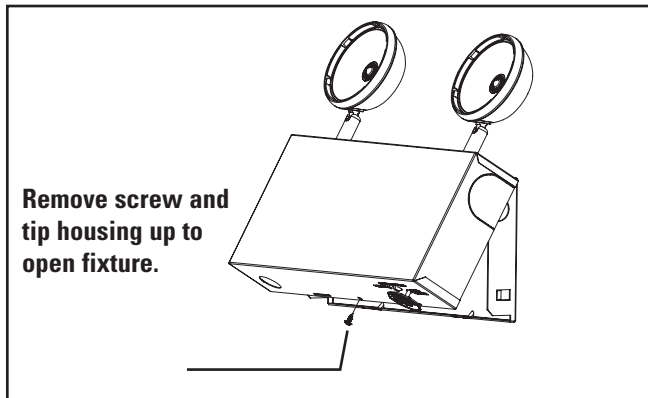


Figure 2

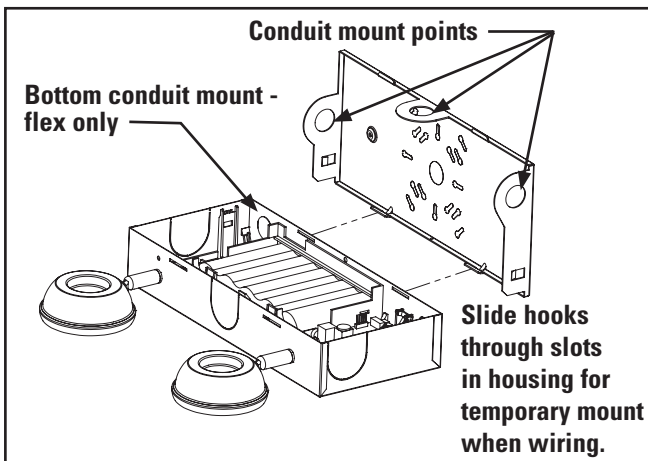
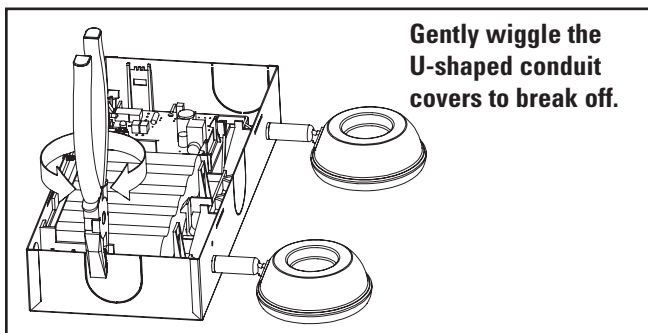


Figure 3



ACTIVATING TIME DELAY

The SELM25R16SD / SELM50R14SD / SELM60R10SD series has an integrated time delay circuit that allows them to remain in emergency mode 15 minutes after power is restored. To activate the time delay, remove the jumper on the circuit board labeled TDI/J4.

SETTING BROWN OUT CIRCUIT

Because of the universal input of the SELM25R16SD / SELM50R14SD / SELM60R10SD, the battery charger will continue to function if voltage sags, even if the normal power lights in the area fail. Selecting the appropriate incoming voltage sets the voltage threshold for the brownout circuit, so that the emergency lights will come on if voltage sags. The fixture ships with the circuit set to 120V. Determine the incoming voltage, and select the appropriate jumper for the brownout circuit (see Schematic).

OPERATION

The Sure-Lites Eagle Eye Self Diagnostics is continuously monitoring your emergency fixture, and will signal any failure through the 3 color indicator LED.

Initial Operation

When the unit is first powered up, it will go into a 24 hour fast charge, indicated by the indicator LED pulsing green. Once the unit has fully charged, it will perform a self calibration, after which the LED will change to steady green, indicating the unit is fully charged and float charging the battery to maintain readiness.

Automatic Testing

The unit will perform a battery capacity, lamp/LED, and charge circuit test every 30 days for 30 seconds. During this time, the indicator LED will change to a steady yellow. It will perform a full battery capacity (90 minute) test once per year. During this time, the indicator LED will change to a blinking yellow.

Manual Testing

- 10 Second "Installation" test – Press and release the test button once during fast charge (blinking green) to initiate a 10 second quick test. The sign will switch to emergency mode for 10 seconds allowing the installer to verify proper installation of the unit, and the LED indicator will turn solid yellow.
- 30 Second Test -Press and release the test button once during float charge (steady green). The indicator LED will turn steady yellow to indicate the unit is performing a 30 second test of the batteries and lamps/LEDs.
- 90 Minute Test -Press and release the test button a second time during a 30 second test (steady yellow) to change to a 90 minute test. During this test, the LED indicator will change to blinking yellow, and the circuit will perform a full battery capacity, charge circuit, and LED test.
- Canceling Test – Press and release the test button during the 90 minute test (flashing yellow) to return the fixture to its original state (fast charge or float charge).

Laser Testing

The SEL-SD series is equipped with a Laser Test function, that allows the unit to be manually tested without the need to physically press the test button. Shining a laser pointer in the hole marked "LASER TEST" on the bottom of the unit has the same effect as a press and release of the test button.

Installation Instructions for the Sure-Lites SELM25R16SD / SELM50R14SD / SELM60R10SD Emergency Light

Clearing Failure Code

- A battery failure (LED two blink red) can be cleared by replacing the battery. Disconnecting the battery and AC power, or performing a full 90 minute discharge, will reset the error code, however, it will return if the battery is faulty.
- Charge Circuit (LED three blink red) and lamp/LED failure (LED four blink red) will clear when the unit successfully passes a manual or automatic 30 second test.

Indicators

- LED Off -No power to unit, emergency mode.
- LED Steady Green -Unit is fully charged and is float charging the battery to maintain readiness.
- LED Green Pulse - Unit is in a 24 hour fast charge of the battery..
- LED Two Blink Red -Battery has failed a capacity test, or the battery is disconnected. See "Clearing Failure Codes" above.
- LED Three Blink Red - Battery charge circuit has failed. See "Clearing Failure Codes" above.
- LED Four Blink Red - Lamps have burned out, or on an EXIT/ Combo, 50% or more of the LEDs have failed. See "Clearing Failure Codes" above.
- LED Steady Yellow - 30 second test or 10 second quick test (Fast Charge only).
- LED Blinking Yellow - 90 minute test.

MAINTENANCE

None required. Replace the batteries as needed according to ambient conditions. However, we recommend that the equipment be tested regularly in accordance with local codes.

NOTE: Servicing of any parts should be performed by qualified personnel. Only use replacement parts supplied by Cooper Lighting Solutions.

CAUTION: This equipment is furnished with a sophisticated low voltage battery dropout circuit to protect the battery from over discharge after its useful output has been used. Allow 24 hours recharge time after installation or power failure for 90 minute testing.

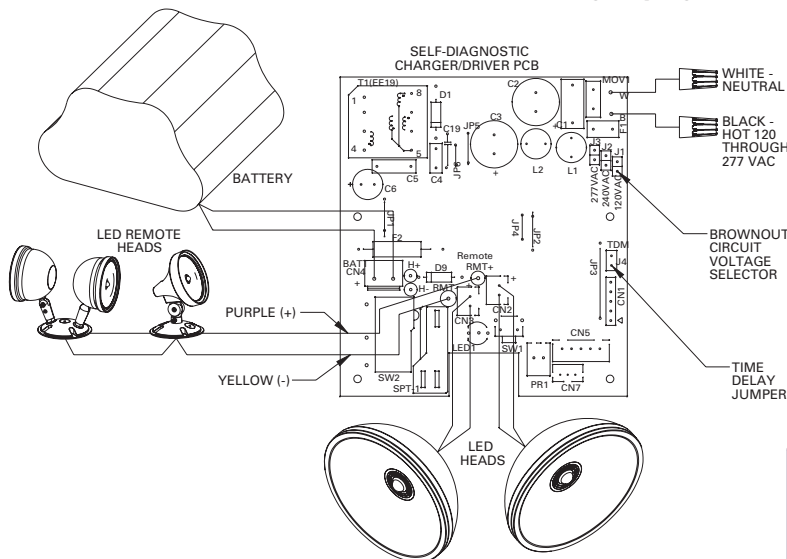
TROUBLE SHOOTING GUIDE

If LED heads or charge indicator LED does not illuminate, check the following:

1. Check AC supply – verify that unit has 24 hour AC supply.
2. Unit is shorted or battery is not connected.
3. Battery discharged. Permit unit to charge for 24 hours and then re-test.
4. If following the above trouble shooting hints does not solve your problem, contact your local Cooper Lighting Solutions representative for assistance.

SCHEMATIC

Installation Instructions for the Sure-Lites XR6C-LED Emergency Light.



SURE-LITES Eagle Eye Self-Diagnostics	
○	OFF - EMERGENCY MODE / POWER OFF
●	STEADY BLINK GREEN - FAST CHARGE
●	STEADY GREEN - FULL / FLOAT CHARGE
●	STEADY YELLOW - LAMP / QUICK TEST
●	STEADY BLINK YELLOW - 90 MINUTE TEST
●●	2 BLINK RED - BATTERY FAILURE
●●●	3 BLINK RED - CHARGE CIRCUIT FAILURE
●●●●	4 BLINK RED - LAMP / LED FAILURE

Warranties and Limitation of Liability

Please refer to www.cooperlighting.com for our terms and conditions.

Cooper Lighting Solutions is a registered trademark. All trademarks are property of their respective owners.

Cooper Lighting Solutions es una marca comercial registrada. Todas las marcas comerciales son propiedad de sus respectivos propietarios.



Cooper Lighting Solutions
1121 Highway 74 South
Peachtree City, GA 30269
P:770-486-4800
www.cooperlighting.com

© 2020 Cooper Lighting Solutions
All Rights Reserved
Printed in USA
Impreso en los EE. UU.
Publication No. IB505061EN