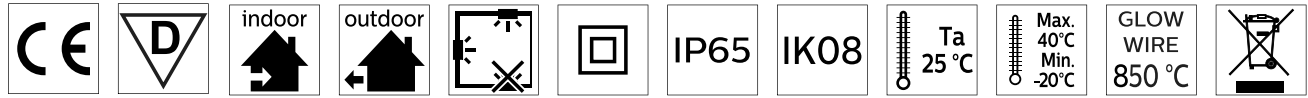
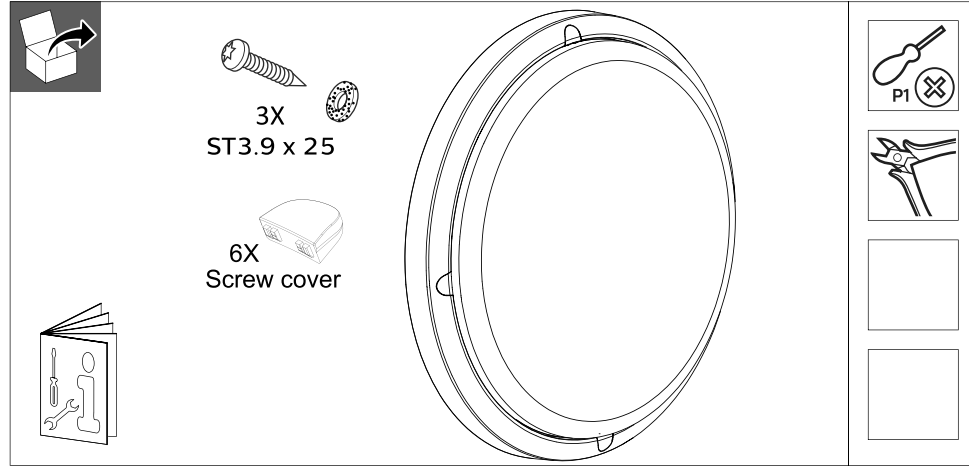


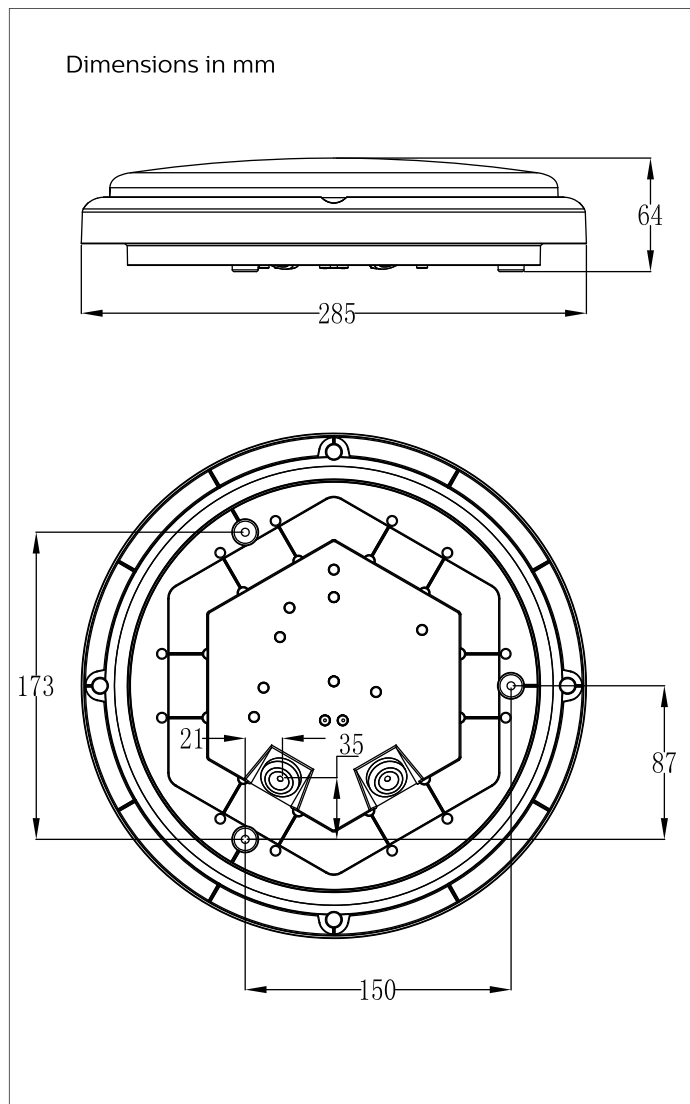
PHILIPS

Ledinaire Wall mounted

WL070V



	CCT(K)	Lumen (lm)	Light source of energy efficiency class	P(W)	Driver	Options	220V 240V	50Hz 60Hz	kg
WL070V LED11S		1100	D	11	NA	NA			0.58
WL070V LED17S	3000/4000	1700	E	17	PSU	NA	•	•	0.61
		1700	E	19	MDU				



ATTENTION
OBSERVE PRECAUTIONS FOR HANDLING ELECTROSTATIC SENSITIVE DEVICES

- The luminaire shall be installed by a qualified electrician and wired in accordance with the latest IEE electrical regulations or the national requirements.
- This luminaire is not suitable for use as emergency lighting. The light source contained in this luminaire shall only be replaced by the manufacturer or his service agent or a similar qualified person.
- For use in environments where an accumulation of conductive dust on the luminaire may be expected.
- For outdoor operation at a building: only when all its cables run indoor, with a maximum distance of 10 meter

Inrush current

	LED11S	LED17S
Electrical characteristics		
I _{max} (A)	10	13
T _{ref} (μs)	1.9	2.2
MCB	Luminaires Max.	
B-10 A	22	22
B-13 A	28	28
B-16 A	35	35
C-10 A	36	36
C-13 A	46	46
C-16 A	57	57

