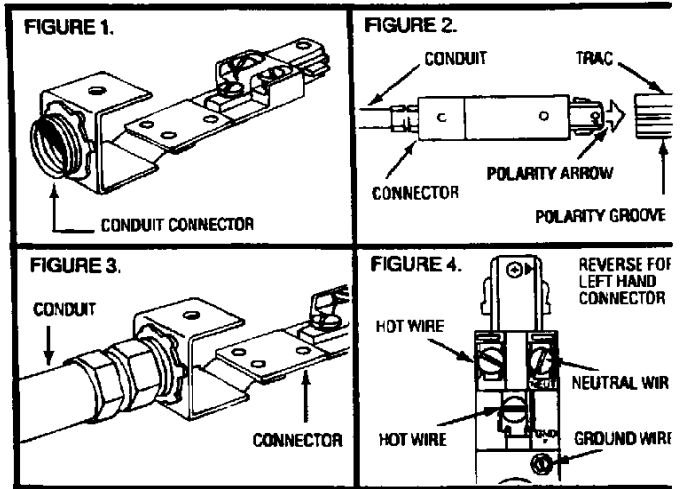


## Installation Instructions for Halo-2 L-989 Conduit Connector Continuation Kit

### USE ONLY WITH HALO L-640 SERIES TRACK SYSTEM ONLY

**CAUTION:** Halo-2 Power-Trac system is polarized to accept power connectors only one way. This right hand connector will fit directly into the open end of the Halo-2 Power-Trac as shipped from the factory.

- Step 1.** Remove covers and attach 1/2" conduit connector (not supplied). (See Fig. 1).
- Step 2.** Install connector into Halo-2 track. Arrows on connector must be on same side as polarity groove on track sections. Secure track to ceiling surface. (See Fig. 2).
- Step 3.** Fasten conduit to connector and secure conduit. (See Fig. 3).
- Step 4.** Pull wires into live end connector and attach "HOT" wires to terminals marked "1" and "2". Attach neutral wire to "NEUT" terminal. Finally, attach ground wire to green ground screw marked "GND" /  $\frac{1}{2}$ " provided on back plate (See Fig. 4).
- 5.** Replace covers, energize and test system.



**KIT CONSISTS OF ONE RIGHT HAND CONNECTOR AND ONE LEFT HAND CONNECTOR**

The L-979 or L-989 kit is used to continue a trac run around or through an obstruction, by using trade size 1/2" surface conduit. Follow instruction furnished with trac for installation and wiring.

