

DESCRIPTION

Dome lens shower trim for 4" H99 incandescent family and the H470 and H471 CFL family of recessed housings. The 952 features a Frost dome lens, a non-conductive and non-corrosive trim ring, and an upper specular clear reflector optic. Polymer trim and glass lens are non-electrically conductive for "dead-front" code compliance where required. The 952 is wet location listed for use in protected ceiling, shower application. Three pressure springs secure trim in housing.

Catalog #		Type
Project		
Comments		Date
Prepared by		

SPECIFICATION FEATURES

952 is designed for use with the following small aperture housings.

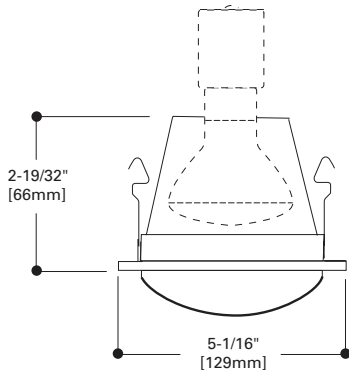
- Incandescent Housings
 - H99TAT - 40W A19, 50W PAR20, 50W R20
 - H99RTAT - 40W A19, 50W PAR20, 50W R20
 - H99ICAT - 35W PAR20, 30W R20 (50W PAR20 with H1999 socket extender)
- Compact Fluorescent Housing
 - H470ICAT - 13W Triple Twin Tube, 4-pin CFL
 - H470RICAT - 13W Triple Twin Tube, 4-pin CFL
 - H471ICAT - 18W Triple Twin Tube, 4-pin CFL
 - H471RICAT - 18W Triple Twin Tube, 4-pin CFL



Showerlight

952PS

White Trim Ring,
Dome Lens Shower Light



Trim



952PS = Dome Lens Shower Light, White Trim Ring

Accessory
H1999
Socket Extender



952
Frosted Dome
Lens Shower
Light

4" TRIMS

Note: Specifications and Dimensions subject to change without notice.

Visit our web site at www.cooperlighting.com

Customer First Center 1121 Highway 74 South Peachtree City, GA 30269 770.486.4800 FAX 770 486.4801