

COOPER LIGHTING SOLUTIONS - ALL-PRO™

DESCRIPTION

The ALL-PRO™ LED Single Head Flood series is designed for superior area coverage in a dependable, die-cast aluminum housing. Using the latest in LED, driver and optic technologies, these products deliver lumens where you need them, keeping power consumption to a minimum. Available with and without integrated photocontrols, these fixtures come in white and bronze finish.

Catalog #		Type
Project		
Comments		Date
Prepared by		

SPECIFICATION FEATURES

Construction

- Durable die-cast aluminum housing suitable for wet locations
- Powder coated bronze or white finish
- Optically enhanced reflector improves efficiency and delivered lumens
- Tool-less head adjustment
- Suitable for wall or eave mounting to recessed junction boxes
- Conduit and surface

junction box mounting available with Flood Adaptor Kit (purchased separately)

- Easy-Install features on all models

Electrical

- 120VAC, 60Hz
- Maintenance-free LEDs with 70,000 hours of life
- Fixture operating temperature range from -30°C to 40°C
- cULus listed for wet locations

- External supply wiring 75°C minimum
- Dusk to Dawn option available with integrated photo control

Optics

- Precision optics for maximum efficiency
- 5000K CCT

Warranty

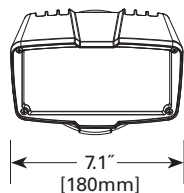
- 5 year limited warranty



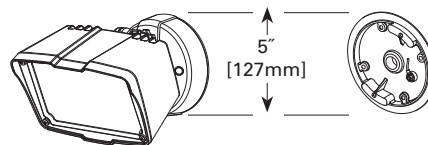
LED FLOOD SERIES

FSL2030

DIMENSIONS

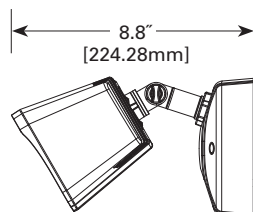


Front View

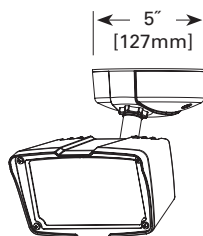


Wall Mount

Adapter Plate



Side View



Eave Mount

ORDERING INFORMATION

Model	Description	Finish
FSL2030L	Large single flood	Bronze
FSL2030LW	Large single flood	White
FSL2030LPC	Large single flood with photo control	Bronze
FSL2030LPCW	Large single flood with photo control	White
FLD-KIT-SFCGND	Flood adaptor kit	Bronze
FLD-KIT-SFCGNDW	Flood adaptor kit	White

CERTIFICATION DATA

cULus Wet Location Listed
Lighting Facts® Approved

TECHNICAL DATA

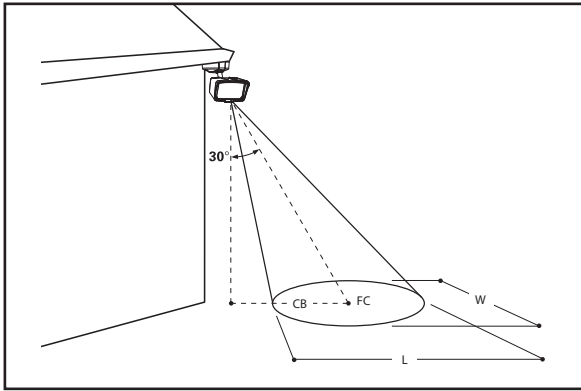
120V only
-30°C to 40°C Temperature Rating
External Supply Wiring 75° Minimum

PHOTOMETRICS

Area Coverage Estimates

Mounting Height	Length (L)	Width (W)	Area (Sq. Ft.)
10 ft.	20	30	600
15 ft.	24	40	960
20 ft.	27	40	1040

Note: Bronze fixture at a typical mounting angle of 30° from vertical
All figures based on minimum footcandle (FC) of 0.5.



Note: Specifications and Dimensions subject to change without notice.

LIGHTING FACTS

LED lighting facts
A Program of the U.S. DOE

Light Output (Lumens) **2120**
Watts **26.1**
Lumens per Watt (Efficacy) **81.23**

Color Accuracy
Color Rendering Index (CRI) **74**

Light Color
Correlated Color Temperature (CCT) **5000 (Daylight)**

2700K 3000K 4500K 6500K

All results are according to IESNA LM-79-2008: Approved Method for the Electrical and Photometric Testing of Solid-State Lighting. The U.S. Department of Energy (DOE) verifies product test data and results.

Visit www.lightingfacts.com for the Label Reference Guide.

Registration Number: FAQJ-2TLZR1 (5/1/2017)
Model Number: FSL2030L [Upgrade: 5/1/2017]
Type: Luminaire - Directional

LED lighting facts
A Program of the U.S. DOE

Light Output (Lumens) **2120**
Watts **26.1**
Lumens per Watt (Efficacy) **81.23**

Color Accuracy
Color Rendering Index (CRI) **74**

Light Color
Correlated Color Temperature (CCT) **5000 (Daylight)**

2700K 3000K 4500K 6500K

All results are according to IESNA LM-79-2008: Approved Method for the Electrical and Photometric Testing of Solid-State Lighting. The U.S. Department of Energy (DOE) verifies product test data and results.

Visit www.lightingfacts.com for the Label Reference Guide.

Registration Number: FAQJ-7ZF6P0 (5/1/2017)
Model Number: FSL2030LW [Upgrade: 5/1/2017]
Type: Luminaire - Directional

LED lighting facts
A Program of the U.S. DOE

Light Output (Lumens) **2120**
Watts **26.1**
Lumens per Watt (Efficacy) **81.23**

Color Accuracy
Color Rendering Index (CRI) **74**

Light Color
Correlated Color Temperature (CCT) **5000 (Daylight)**

2700K 3000K 4500K 6500K

All results are according to IESNA LM-79-2008: Approved Method for the Electrical and Photometric Testing of Solid-State Lighting. The U.S. Department of Energy (DOE) verifies product test data and results.

Visit www.lightingfacts.com for the Label Reference Guide.

Registration Number: FAQJ-ZR3KZF (8/8/2016)
Model Number: FSL2030LPC
Type: Luminaire - Area/Roadway

LED lighting facts
A Program of the U.S. DOE

Light Output (Lumens) **2120**
Watts **26.1**
Lumens per Watt (Efficacy) **81.23**

Color Accuracy
Color Rendering Index (CRI) **74**

Light Color
Correlated Color Temperature (CCT) **5000 (Daylight)**

2700K 3000K 4500K 6500K

All results are according to IESNA LM-79-2008: Approved Method for the Electrical and Photometric Testing of Solid-State Lighting. The U.S. Department of Energy (DOE) verifies product test data and results.

Visit www.lightingfacts.com for the Label Reference Guide.

Registration Number: FAQJ-51KU14 (8/8/2016)
Model Number: FSL2030LPCW
Type: Luminaire - Area/Roadway