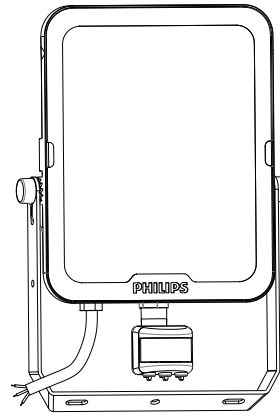


# PHILIPS

## LED Floodlight

### BVP164



220V  
240V

50Hz  
60Hz



IK07

IP65

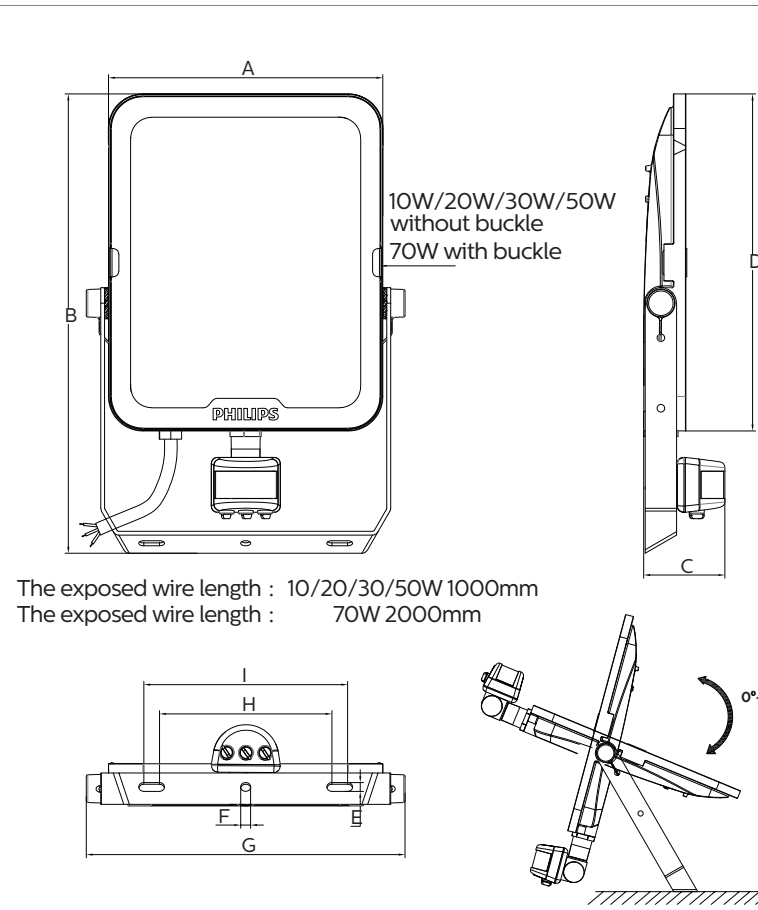


Max. 40 °C  
Min. -25 °C

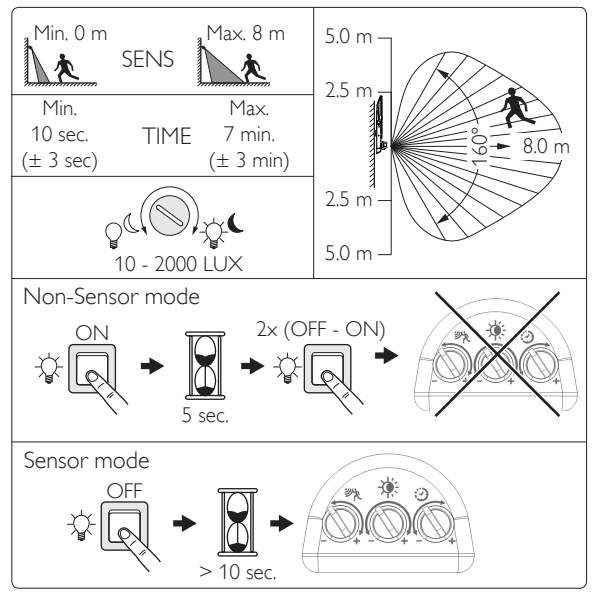
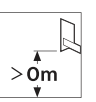
Ta 25 °C



	Flux (lm)	Power (W)	Energy efficiency class of light source	Beam	m <sup>2</sup>	kg
BVP164 LED12/830 PSU 10W SWB MDU CE	1100	10	F		0.005	0.29
BVP164 LED12/840 PSU 10W SWB MDU CE	1200	10	E		0.005	0.29
BVP164 LED12/865 PSU 10W SWB MDU CE	1200	10	E		0.005	0.29
BVP164 LED24/830 PSU 20W SWB MDU CE	2200	20	F		0.008	0.38
BVP164 LED24/840 PSU 20W SWB MDU CE	2400	20	E		0.008	0.38
BVP164 LED24/865 PSU 20W SWB MDU CE	2400	20	E		0.008	0.38
BVP164 LED36/830 PSU 30W SWB MDU CE	3300	30	F		0.017	0.63
BVP164 LED36/840 PSU 30W SWB MDU CE	3600	30	E	100°~120°	0.017	0.63
BVP164 LED36/865 PSU 30W SWB MDU CE	3600	30	E		0.017	0.63
BVP164 LED60/830 PSU 50W SWB MDU CE	5500	50	F		0.028	0.89
BVP164 LED60/840 PSU 50W SWB MDU CE	6000	50	E		0.028	0.89
BVP164 LED60/865 PSU 50W SWB MDU CE	6000	50	E		0.028	0.89
BVP164 LED84/830 PSU 70W SWB MDU CE	7700	70	F		0.038	1.19
BVP164 LED84/840 PSU 70W SWB MDU CE	8400	70	E		0.038	1.19
BVP164 LED84/865 PSU 70W SWB MDU CE	8400	70	E		0.038	1.19



Dimensions in mm				
	10W	20W	30W	50W 70W
A	63.8	82	117	150 175
B	155	172	220	263 293
C	52	52	53	53 53
D	82.8	100	145	185 215
E	4.2	4.2	4.5	6.5 6.5
F	4.2	4.2	4.5	6.5 6.5
G	79	97	133	173 203
H	35	50	70	90 110
I	45	60	85	110 130

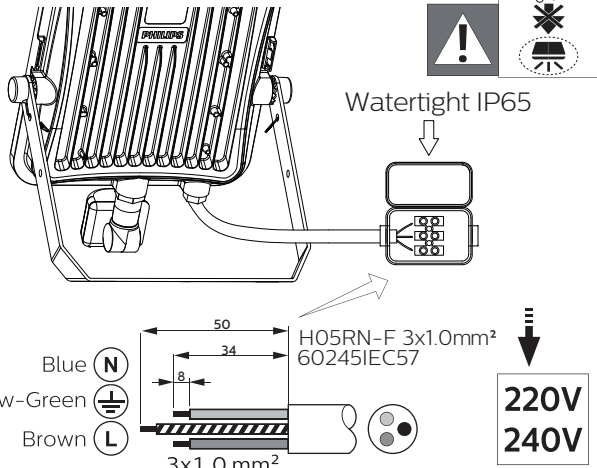




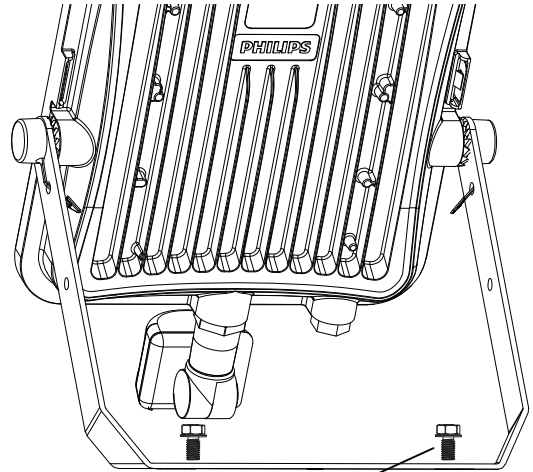
Install the luminaire according to the national regulations. 3P terminal, the terminal is at least rated voltage 250V.



If the luminaire is higher >3 m, the use of 2nd fixing security system is needed.

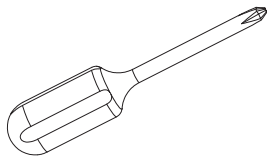


- Always use IP65 or higher IP rated junction box/connector for wiring connection.
- The Luminaire should never be used in submerged wet conditions e.g. under water, soil, snow etc.
- The wiring connection should also never be used in submerged wet conditions e.g. water, soil, snow etc. OR use IP68 junction box.
- The warranty is void, in case any of the instructions / guidelines are not followed as per given mounting instruction.
- This product is not supplied with any junction box / connector.
- For further clarification, please contact the manufacturer.

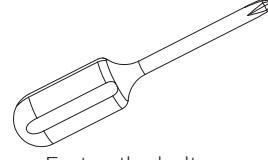


1a

1b



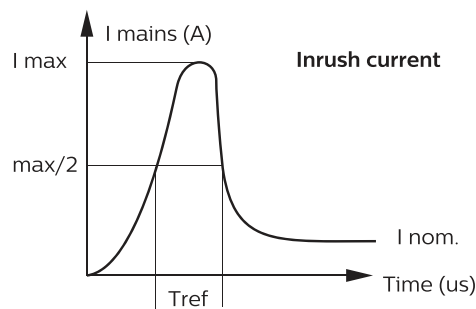
2a



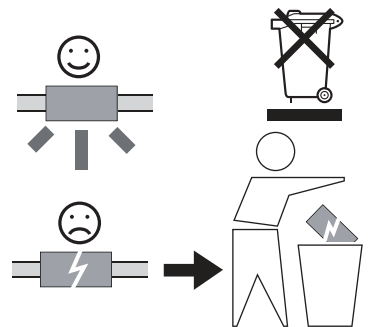
Fasten the bolt  
Torque:Nm

	10W	20W	30W	50W	70W
Torque(Nm)	3	3	3	8	8

2b



	10W	20W	30W	50W	70W
Electrical characteristics					
I <sub>max</sub> (A)	0.78	1.1	1.22	1.68	3.64
T <sub>ref</sub> (μs)	6.48	7.4	7.2	8.2	22.2
MCB Floodlight Max.					
B-10 A	136	68	45	27	19
B-16 A	218	109	73	44	31
C-10 A	159	80	53	32	23
C-16 A	254	127	85	51	36



- The luminaire shall be installed or maintained by a qualified electrician and wired in accordance with the latest IEE electrical regulations or the national requirements.
- The external flexible cable or cord of this luminaire cannot be replaced; if the cord is damaged, the luminaire shall be destroyed.
- The light source of this luminaire is not replaceable; when the light source reaches its end of life the whole luminaire shall be replaced.
- Luminaire must not be used or stored in corrosive environment where hazardous materials such as sulphur, chlorine, phthalates, etc. are present.