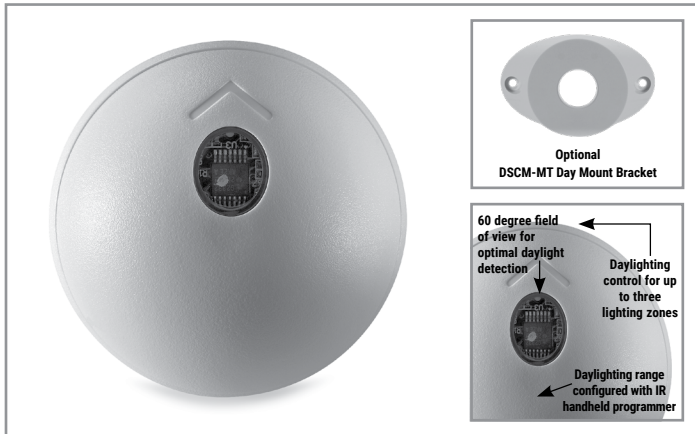


Project		Catalog #		Type	
Prepared by		Notes		Date	



## Greengate

### Open Loop

Daylight Sensor/IR Receiver

#### Interactive Menu

- Order Information page 2
- Additional Resources page 2
- Wiring Diagrams page 3
- Connected Systems page 5
- Product Warranty

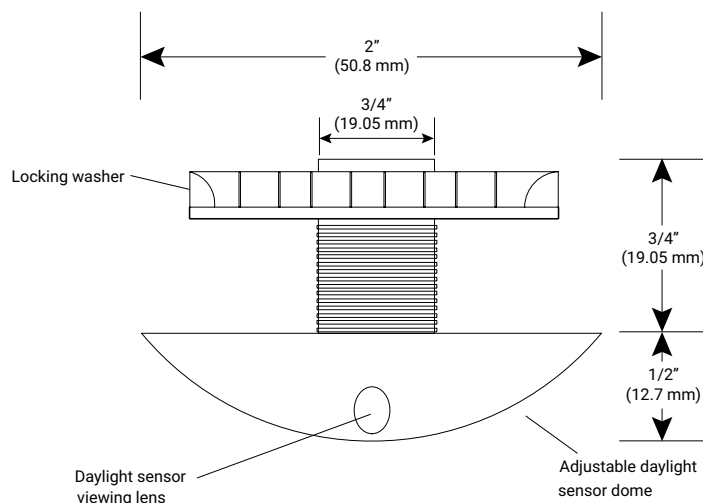
#### Product Certification



#### Top Product Features

- RJ45 connection
- Easily installed in suspended fixture or drop ceiling
- Three light sensor ranges (3-300 lux, 30-3000 lux, 300-30000 lux)
- Feedback LED
- Mounting bracket for installation in light well or hard ceiling
- IR receiver for handheld remotes

#### Dimensional and Mounting Details



additional product diagrams

## Order Information

SAMPLE ORDER NUMBER: **DSRC-FMOIR, DSCM-MT**

Catalog Number	Description	Connection	Range
<b>DSRC-FMOIR</b>	Open Loop Daylight Sensor/IR Receiver (GGRC-COUPLER included)	RJ45	Low (3-300 lux) High (30-3000 lux) Direct Sun (300-30000 lux)
<b>DSCM-MT</b>	Daylight Sensor Mounting Bracket		

## Optional Accessories

Room Controller	Description
<b>HHPRG-RC</b>	Handheld daylight zone remote programmer
<b>HHPR-RC</b>	Room Controller Personal Remote

DLVP	Description
<b>LVHH-01</b>	DLVP Programming Remote
<b>LVHH-02</b>	DLVP Personal Remote

## Product Specifications

### Electrical

- Class 2, LPS

### Mechanical

**Size: Sensor Head:** 2" W x 1/2" H (50.8 mm x 12.7 mm)

**Mounting Stem:** 3/4" H x 3/4" W (19.05 mm x 19.05 mm)

### Environment:

- **Operating temperature:** 32°F to 104°F (0°C to 40°C)
- **Relative humidity operating:** Less than 95%, non-condensing
- For indoor use only

**Mounting:** Height and position changes depending on application.

### Voltage

#### Voltage:

- 24 VDC supplied controller

#### Connection:

- RJ45

## Overview

The DSRC-FMOIR is an open loop daylight sensor that measures the natural light contribution in order to automatically adjust lighting zones. It is part of the Room Controller and DLVP system and provides three easily distinguished light levels, Low (3-300 lux), High (30-3000 lux) and Direct Sun (300-30000 lux). The sensor range can be adjusted using the IR handheld programmer.

The DSRC-FMOIR is powered by the Room Controller or DLVP power module Class 2 power supply and is pre-configured to automatically adjust the dimming zones based on the natural light contribution. The DSCM-MT mounting bracket allows the daylight sensor to be mounted to a hard ceiling or a light well. The handheld remote programmer simplifies light sensor range setting by using simple language to describe the ranges (Low, High, Direct Sun) in addition to standard foot candle values. Individual zone control buttons allow the lighting levels and dimming curves to be adjusted in the Room Controller unit via the Daylight Sensor using the HHPRG-RC personal remote. Additional information on preset dimming curves and adjustments can be found in the installation instructions for Room Controller.

Low-voltage devices are connected using pre-terminated control cables (ordered separately).

### Light Sensor Range

- Low: (3-300 lux)
- High: (30-3000 lux)
- Direct Sun: (300-3000 lux)

### Status Indicator

- Multi-function Red and Green LEDs
- Selectable 5, 15, 30 minutes

### Standards/Ratings

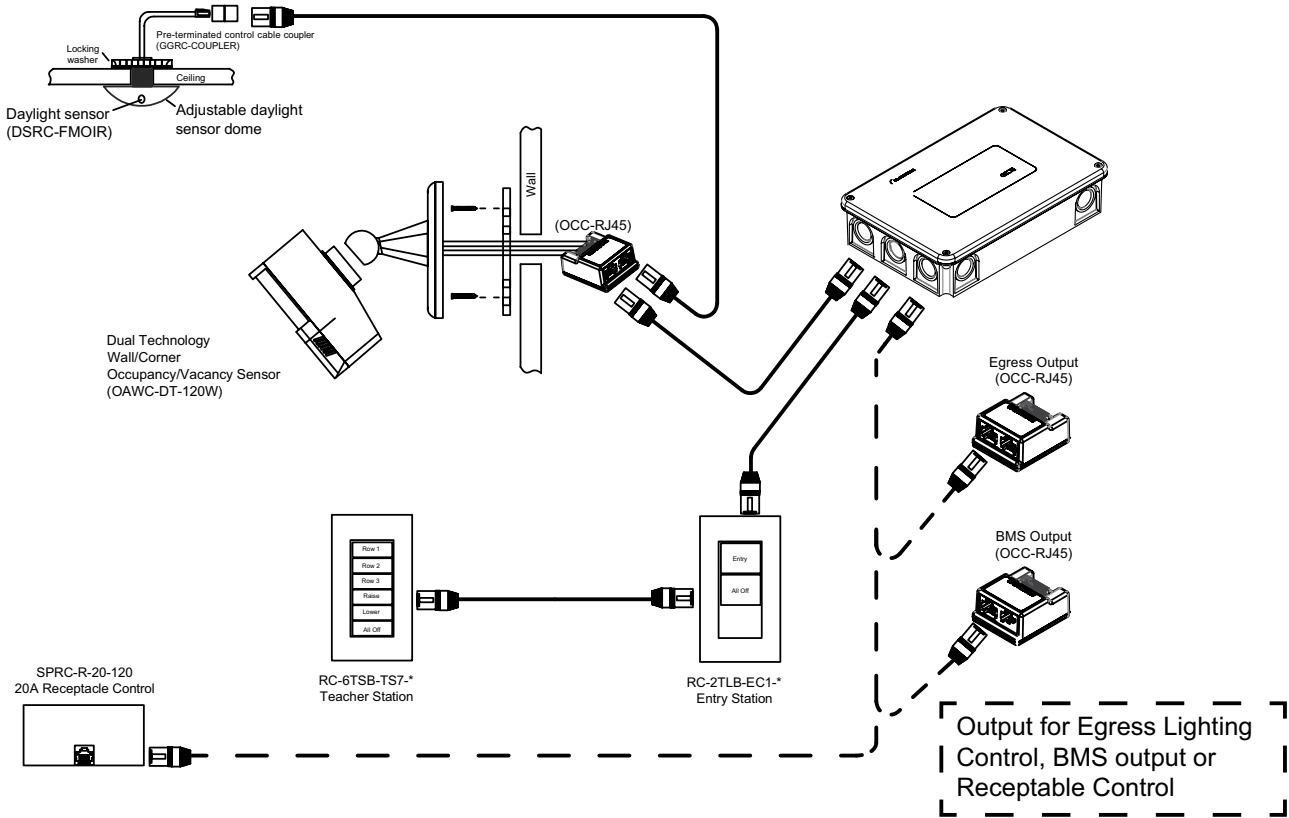
- cULus Listed - Energy Management Equipment (UL916)
- UL 508 Listed

### Warranty

Five year warranty standard

## Wiring Diagrams

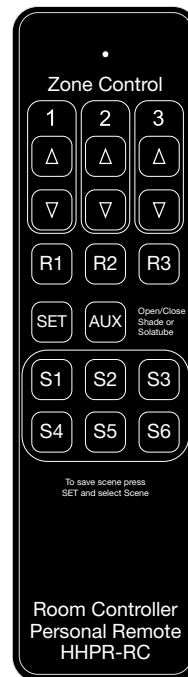
### Room Controller System Architecture Topology



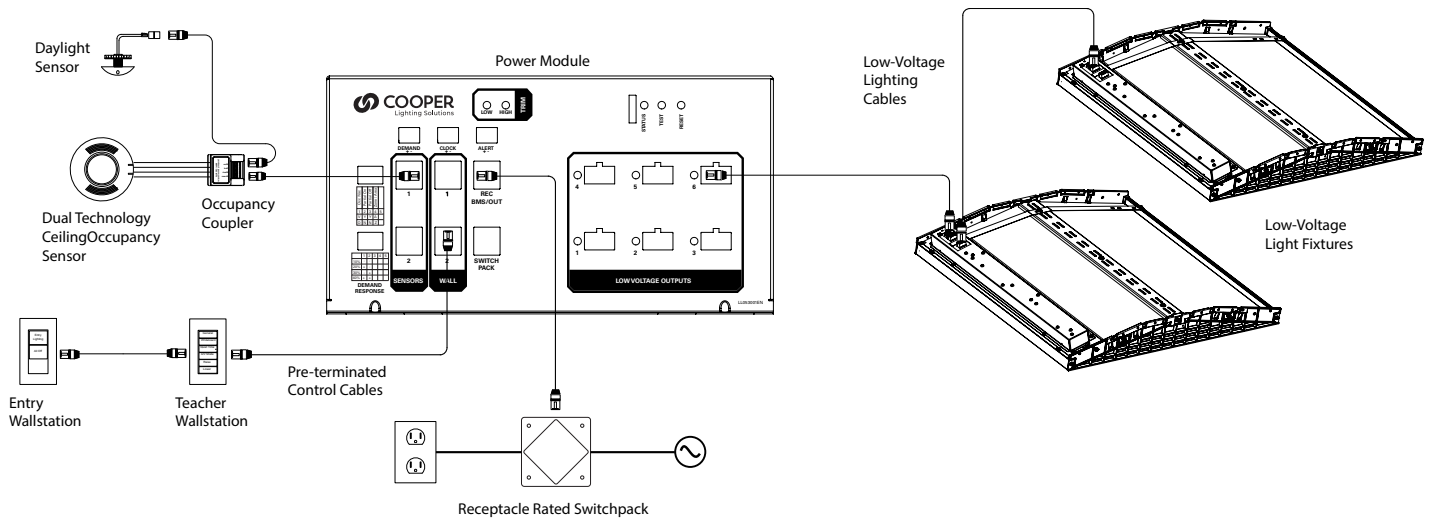
### Handheld Remote Programmer HHPRG-RC

### Personal Remote HHPR-RC

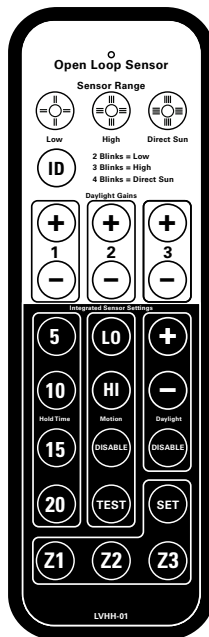
#### Daylight Settings



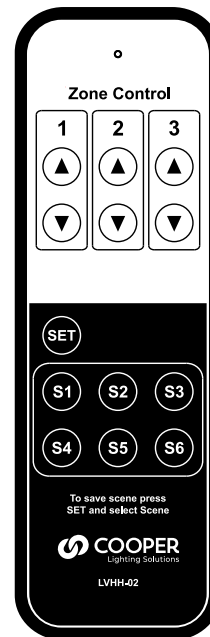
## Sample DLVP System Topology



### Programming Remote (LVHH-01)

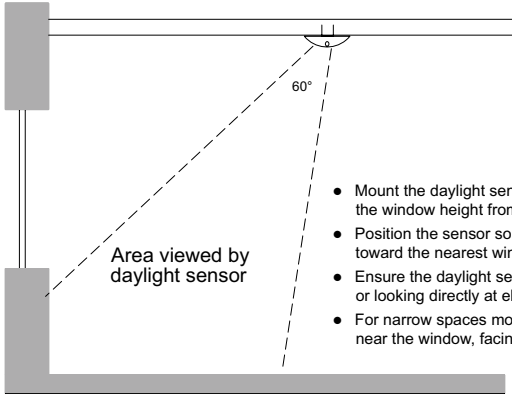


### Personal Remote (LVHH-02)



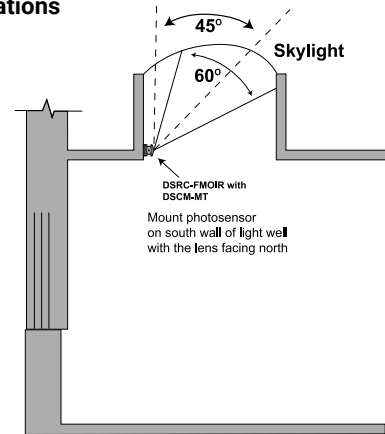
## Application

### Sidelight Applications



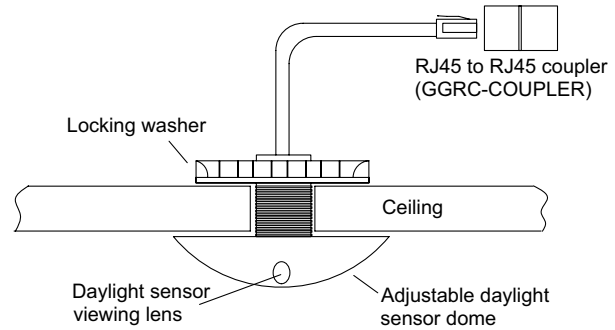
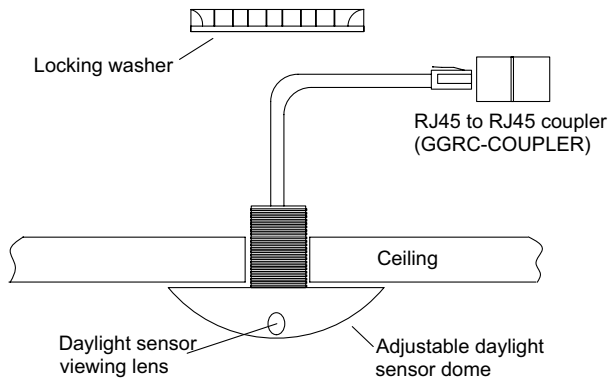
- Mount the daylight sensor one to two times the window height from the window wall.
- Position the sensor so its arrow is pointed toward the nearest window.
- Ensure the daylight sensor is not obstructed or looking directly at electric light.
- For narrow spaces mount the daylight sensor near the window, facing into the space.

### Skylight Applications

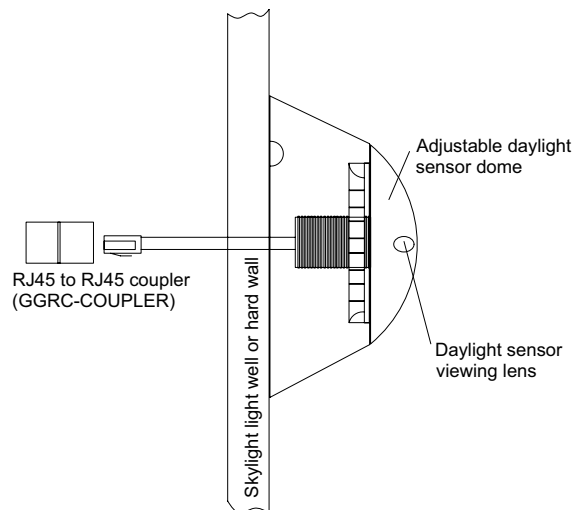
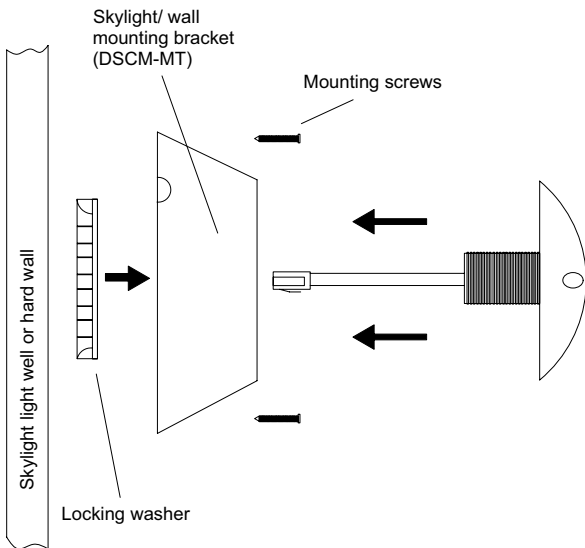


## Mounting

### Ceiling Mounting



### Light Well Mounting with DSCM-MT



**Control Systems**

- Greengate