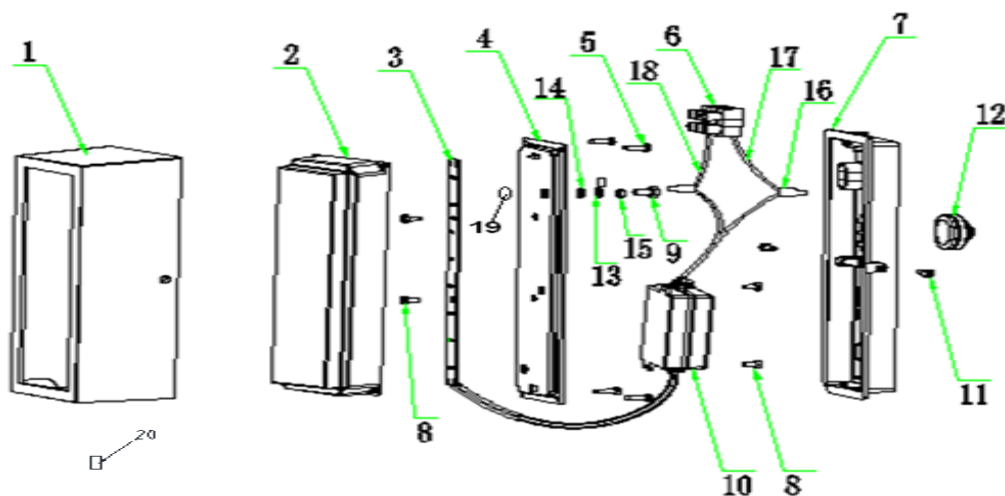


Dismantling Recommendation on Disposal at End of Life

Composition Explanation



| No. | Components | Specifications | Unit | Quantity |
|-----|--------------------------|------------------------------|------|----------|
| 1 | 170U1-17354G body | ADC12 | PCS | 1 |
| 2 | 170U1-17354G diffuser | HIPP HJ730 | PCS | 1 |
| 3 | YL20-6-8DB4W-C007-840 | YL20-6-8DB4W-C007-840 | PCS | 1 |
| 4 | 170U1-17354G heat sink | AL | PCS | 1 |
| 5 | M3*8 screw | Zinc coated | PCS | 4 |
| 6 | Terminal block | PA10 | PCS | 1 |
| 7 | 170U1-17354G wall plate | ABS | PCS | 1 |
| 8 | M3*5 screw | Zinc coated | PCS | 2 |
| 9 | M4*8 screw | Zinc coated | PCS | 1 |
| 10 | PYS-05-350 5W driver | | PCS | 1 |
| 11 | BT3*8 screw | SS304 | PCS | 2 |
| 12 | φ27 gromet | TPE | PCS | 1 |
| 13 | Earthing wire | | PCS | 1 |
| 14 | φ4 teeth washer | Zinc coated | PCS | 1 |
| 15 | φ4 spring washer | SS | PCS | 1 |
| 16 | CE2 closed end connector | | PCS | 2 |
| 17 | VDE brown wire | H05S-K,1*0.75mm ² | PCS | 1 |
| 18 | VDE blue wire | H05S-K,1*0.75mm ² | PCS | 1 |
| 19 | M4 nut | Zinc coated | PCS | 1 |

Dismantling Recommendation on Disposal at End of Life

Dismantling

- Type: Without permanent damage

Recommendation on Disposal

- Plastic part: Reuse and Recycling
- Electrical part: Incineration and disposal
- Metal part: Recycling

Light source dismantling process

