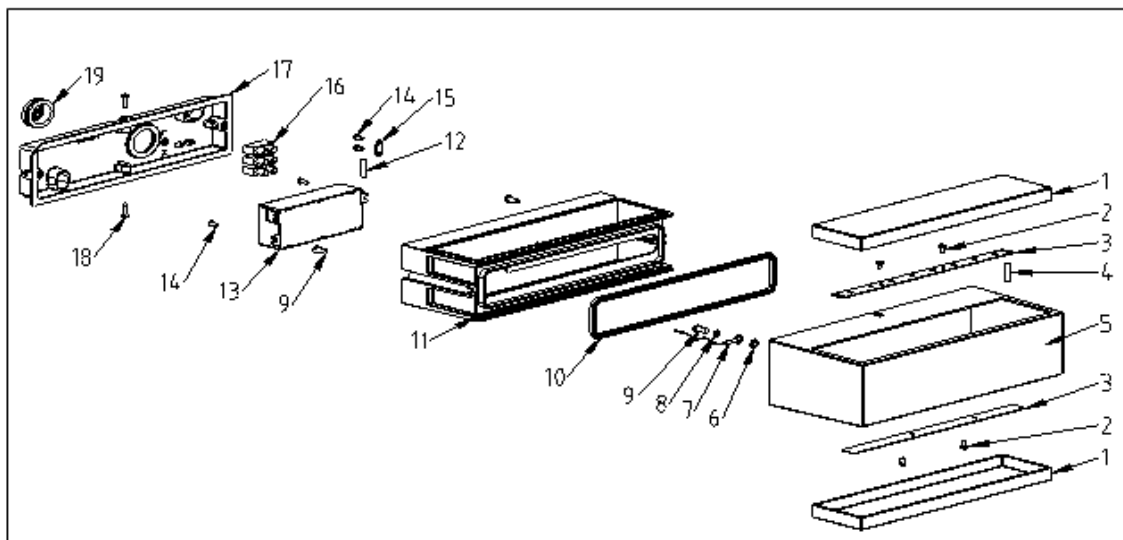


Dismantling Recommendation on Disposal at End of Life

Composition Explanation



No.	Components	Specifications	Unit	Quantity
1	17OU1-16487H diffuser	PP HJ730	Pcs	2
2	M3*5 screw	Zinc coated	Pcs	4
3	YL20-6-8DB4W-C007-827		pcs	2
4	wire	H05S-K,1*0.5mm ²	Pcs	1
5	17OU1-16487H body	ADC12	Pcs	1
6	φ4 washer	Zinc coated	Pcs	1
7	Earthing wire		Pcs	1
8	φ4 spring washer	SS	Pcs	1
9	M4*8 screw	Zinc coated	Pcs	3
10	17OU1-16487H gasket	Rubber black	Pcs	1
11	17OU1-16487H reflector	ABS 417 white	Pcs	1
12	φ5 heat shrink tube		m	0.03
13	PYS-10-350 10W driver		Pcs	1
14	BT2.9*6 screw	Zinc coated	Pcs	4
15	Strain relief	PA6 black	Pcs	1
16	PA10 terminal block		Pcs	1
17	17OU1 -17354G wall plate	ABS 417 black	Pcs	1
18	BT3*10 screw	SS 304	Pcs	2
19	φ27 gromet	TPE	pcs	1

Dismantling Recommendation on Disposal at End of Life

Dismantling

- Type: Without permanent damage

Recommendation on Disposal

- Plastic part: Reuse and Recycling
- Electrical part: Incineration and disposal
- Metal part: Recycling

Light source dismantling process

