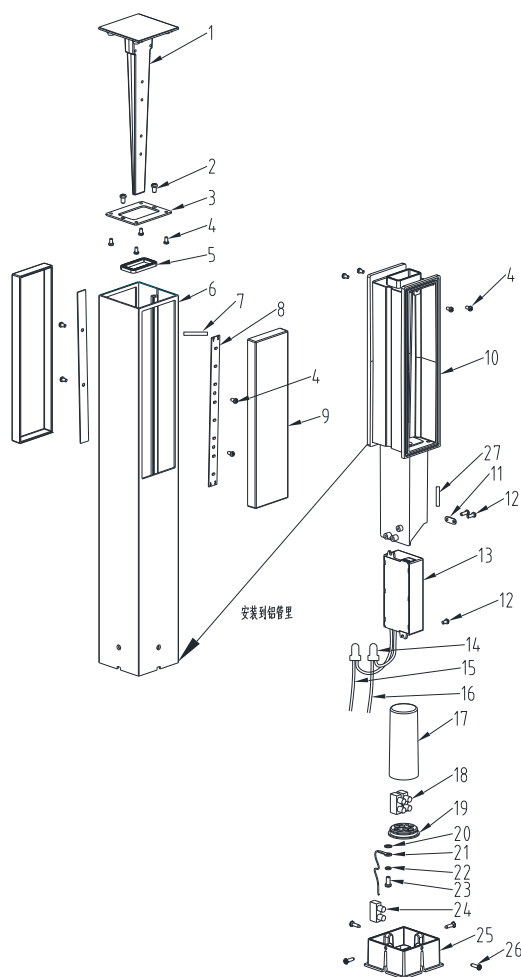


# Dismantling Recommendation on Disposal at End of Life

## Composition Explanation



No.	Components	Specifications	Unit	Quantity
1	170U1-16488H cover	ADC12	PCS	1
2	M4*6 screw	Zinc coated	PCS	2
3	170U1-16488H plate	Q235A,T=1.5MM	PCS	1
4	M3*5 screw	Zinc coated	PCS	8
	M3*5 screw	Zinc coated	PCS	4
5	170U1-16488H gasket	Rubber	PCS	1
6	170U1-16488H post	6063	PCS	1

## Dismantling Recommendation on Disposal at End of Life

No.	Components	Specifications	Unit	Quantity
7	VDE white wire	H05S-K,1*0.5mm <sup>2</sup>	PCS	1
8	YL20-6-8DB4W-C007-827		PCS	2
9	17OU1-16487H diffuser	PP	PCS	2
10	17OU1-16488H reflector	ABS	PCS	1
11	Strain relief	PA6	PCS	1
12	BT2.9*6 screw	Zinc coated	PCS	4
13	PYS-10-350 10W driver		PCS	1
14	Closed end connector		PCS	2
15	VDE blue wire	H05S-K,1*0.75mm <sup>2</sup>	PCS	1
16	VDE brown wire	H05S-K,1*0.75mm <sup>2</sup>	PCS	1
17	Terminal block box	PP	PCS	1
18	Terminal block	PA10	PCS	1
19	Terminal block box cover	PP	PCS	1
20	φ4 teeth washer	Zinc coated	PCS	1
21	Earthing wire		PCS	1
22	φ4 spring washer	SS	PCS	1
23	M4*8 screw	Zinc coated	PCS	1
24	Terminal block	PA10	PCS	1
25	17OU1-16488H base	PA6	PCS	1
26	BT3*8 screw	SS 304	PCS	4
27	φ5 heat shrink tube		M	0.03

## Dismantling Recommendation on Disposal at End of Life

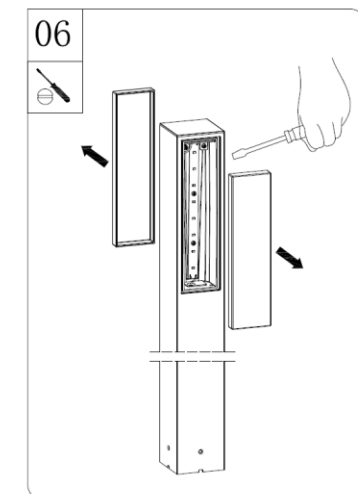
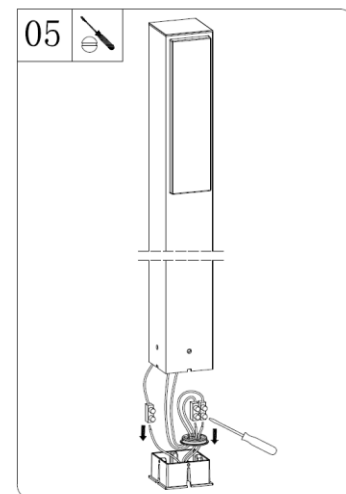
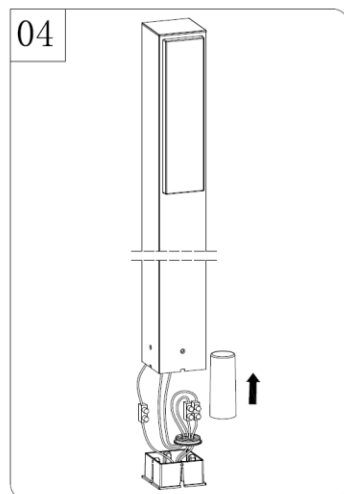
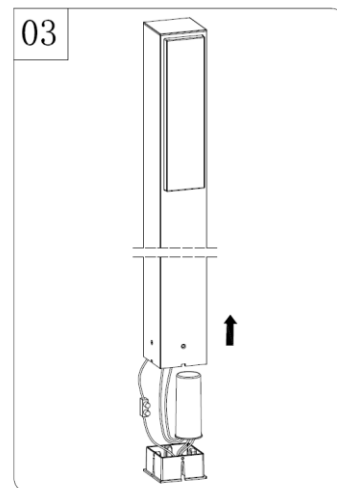
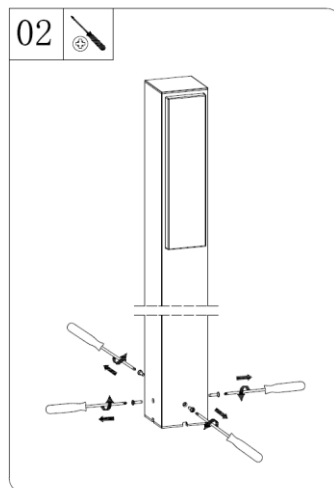
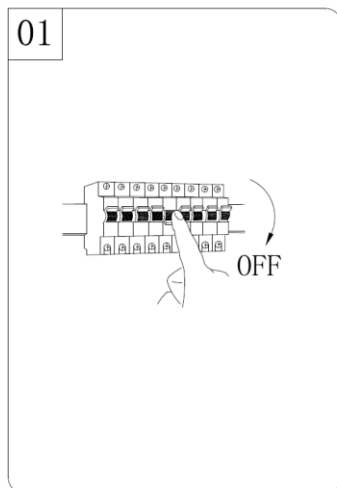
### Dismantling

- Type: Without permanent damage

### Recommendation on Disposal

- Plastic part: Reuse and Recycling
- Electrical part: Incineration and disposal
- Metal part: Recycling

### Light source dismantling process



## Dismantling Recommendation on Disposal at End of Life

