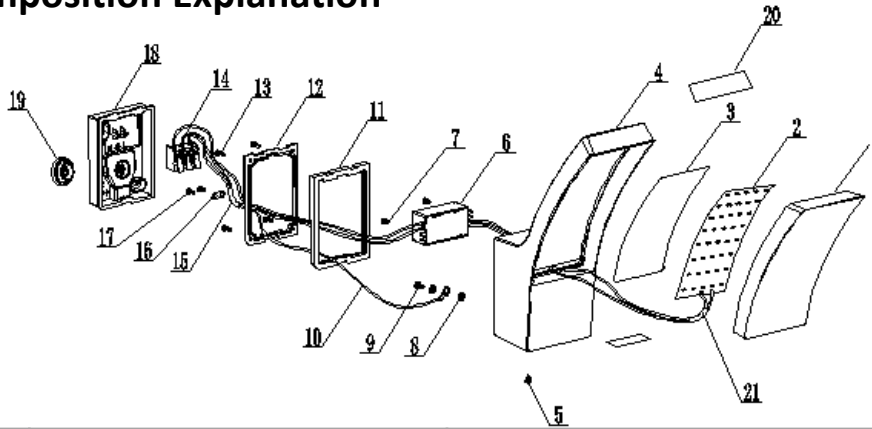


Dismantling Recommendation on Disposal at End of Life

Composition Explanation



No.	Components	Specifications	Unit	Quantity
1	Diffuser	PC	PCS	1
2	L2		PCS	1
3	sticker	Rubber	PCS	1
4	body	AL	PCS	1
5	M5*10 screw	SS	PCS	1
6	driver		PCS	1
7	M3*5 screw	Zinc coated	PCS	2
8	Φ4 teeth washer	Zinc coated	PCS	2
9	M4*8 screw	Zinc coated	PCS	1
10	Earthing wire	H05V-K 1*0.75MM2	PCS	1
11	Gasket	Rubber	PCS	1
12	Cover	ABS	PCS	1
13	M3*8 screw	Zinc coated	PCS	4
14	Terminal block	PA10	PCS	1
15	Ø5 heat shrinkable tube		M	0.03
16	Strain relief	PA6	PCS	1
17	BT2.9*6 screw	Zinc coated	PCS	2
18	Wall plate	PA6	PCS	1
19	Gromet	Rubber	PCS	1
20	Reflector sheet		PCS	2
21	Φ3 heat shrinkable tube		M	0.03

Dismantling Recommendation on Disposal at End of Life

Dismantling

- Type: Without permanent damage

Recommendation on Disposal

- Plastic part: Reuse and Recycling
- Electrical part: Incineration and disposal
- Metal part: Recycling

Dismantling process

