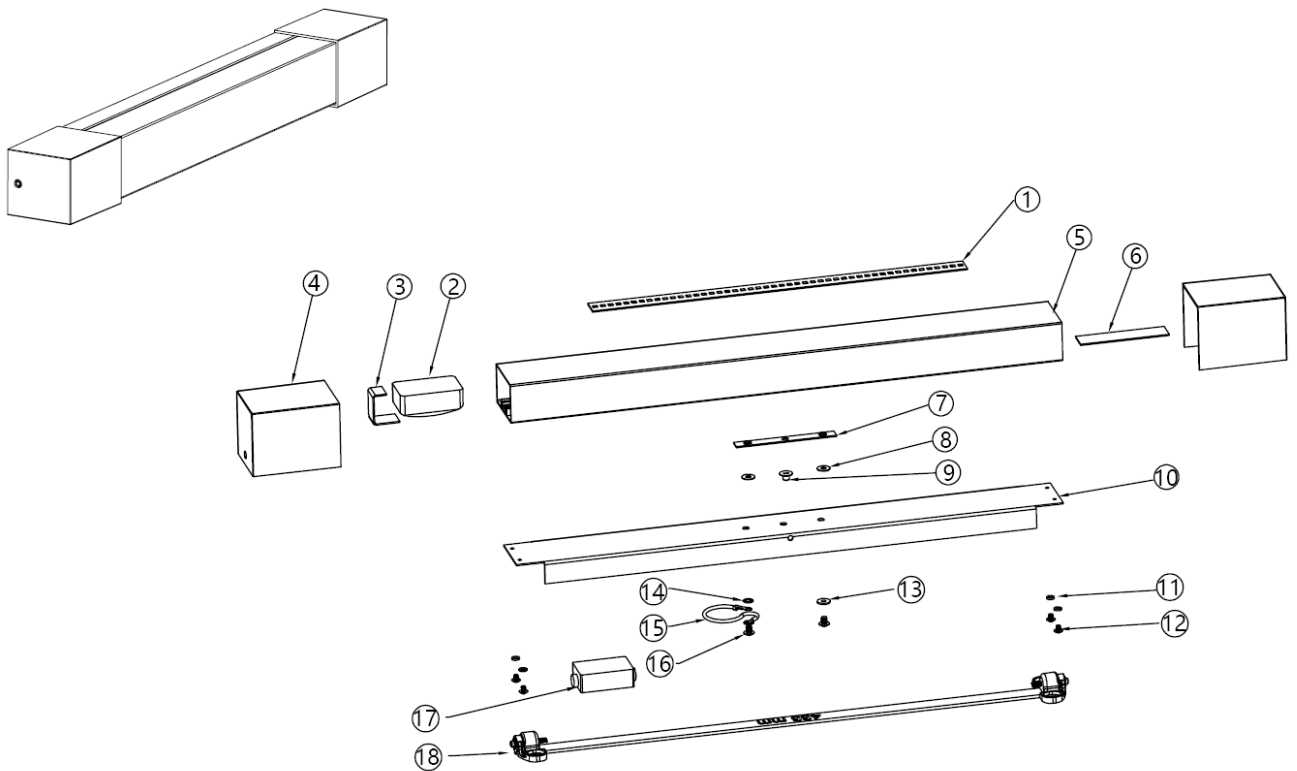


Dismantling Recommendation on Disposal at End of Life

Composition Explanation



Dismantling Recommendation on Disposal at End of Life

Composition Explanation

No.	Components	Specifications	Unit	Quantity
1	DLB-0315-NEW LED Light board	Aluminum PCB +LED	PCS	1
2	Eyarn PSU	Power Supply Unit	PCS	1
3	XZJ-0826 Iron support	Iron	PCS	1
4	XGF-0104 endcap	PC	PCS	2
5	SA-1413 PC Square tube	PC	PCS	1
6	SB-1063 Locating plate	PC	PCS	1
7	WMB-1313/Connecting plate	Iron	PCS	1
8	Silicone ring/White color	Silicone	PCS	2
9	SA-1450 Silicone pad	Silicone	PCS	1
10	WDJ-1440 base	Iron	PCS	1
11	Silicone ring/White color	Silicone	PCS	4
12	M3*4 Band screw	Iron	PCS	4
13	SB-0002 Silicone pad	Silicone	PCS	2
14	φ4 Elastic washer	Iron	PCS	1
15	H05S-K Ground wire	PVC+Copper wire	PCS	1
16	M4Screw with tooth belt	Iron	PCS	2
17	OJ-3518 Waterproof junction box	PA	PCS	1
18	click fixture	PA6+30%GF	PCS	1

12NC: 929004106101/929004106201/929004109901/929004110101

Dismantling Recommendation on Disposal at End of Life

Dismantling

- Type: light source non replaceable

Recommendation on Disposal

- Plastic part: Reuse and Recycling
- Electrical part: Incineration and disposal
- Metal part: Recycling

Light source dismantling process

