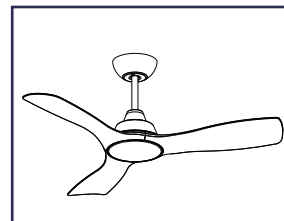


# Removability Induction on Disposal at End of Life



## Composition Explanation – Fan ceiling

Plastic part	Electrical part	Metal part
Diffuser 	Remote Controller 	Cover and Iron Ring <p style="text-align: right;">if have</p>
Blade 	Light Source: LED PCB 	Hanging Frame 
Remote Control Housing 	Wire 	Base plate 
Motor Assembly 	Other Rubber Apron Terminal Cap Wire Plug 	Hanger rod 
	separate control gear 	

### Dismantling

- Steps: refer to disassembly instruction
- Type: without permanent damage

### Recommendation on disposal

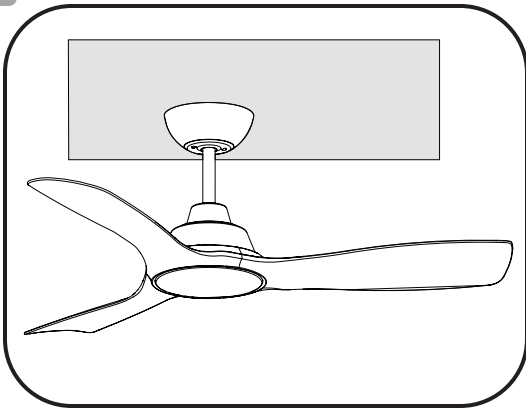
- Plastic part :reuse and recycling
- Electrical part :incineration and disposal
- Metal part :recycling
- Battery part: recycling

## Removability Induction on Disposal at End of Life

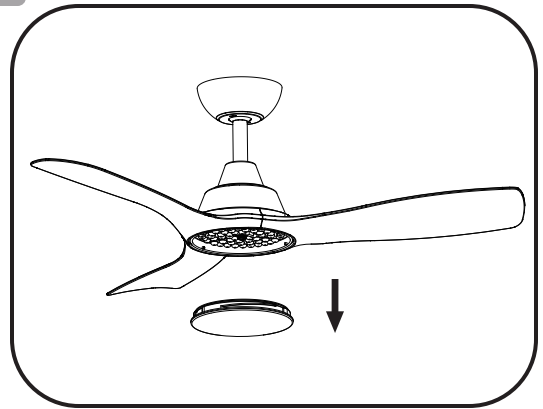
### •Composition Explanation –Fan ceiling



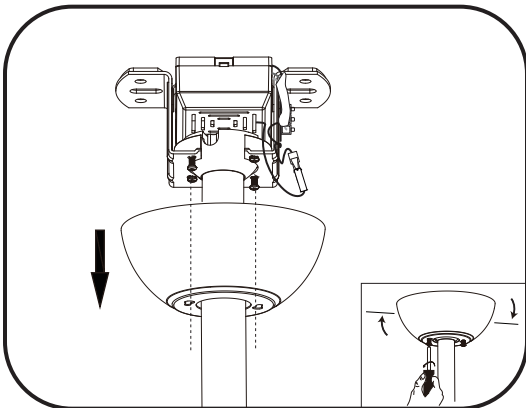
1



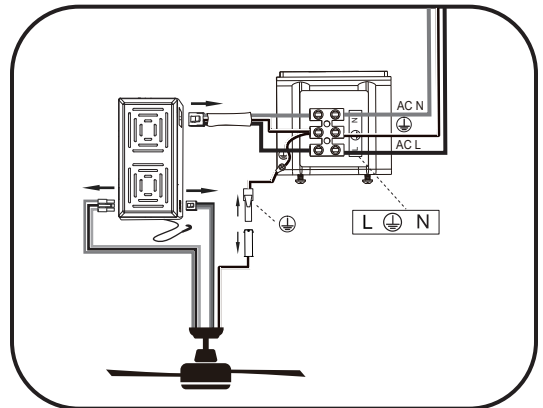
2



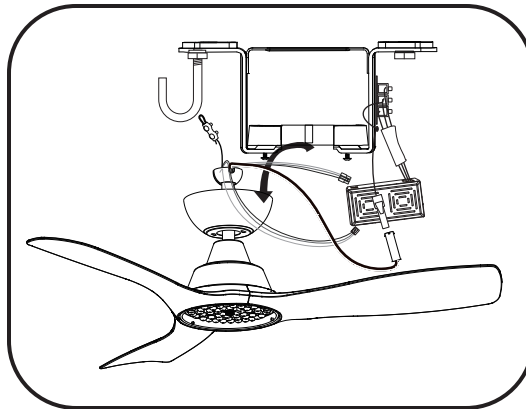
3



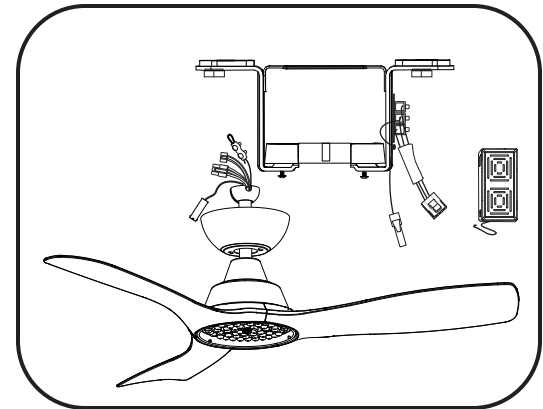
4



5



6

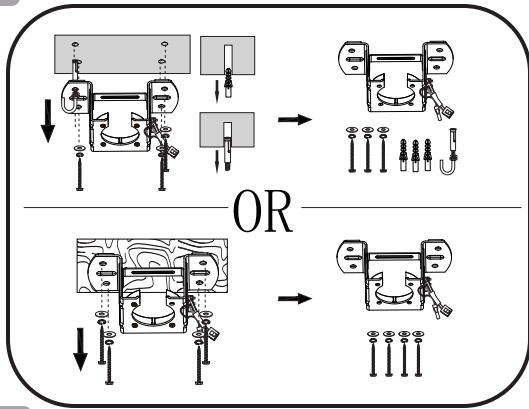


## Removability Induction on Disposal at End of Life

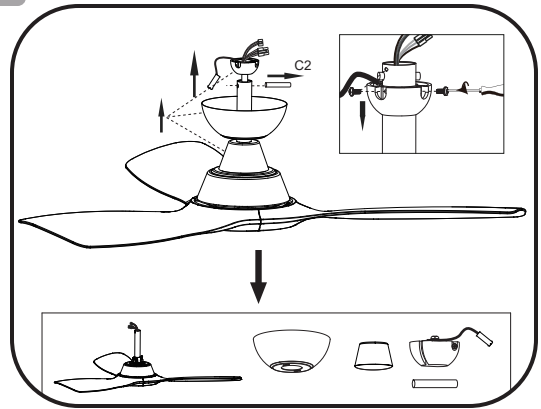
### •Composition Explanation –Fan ceiling



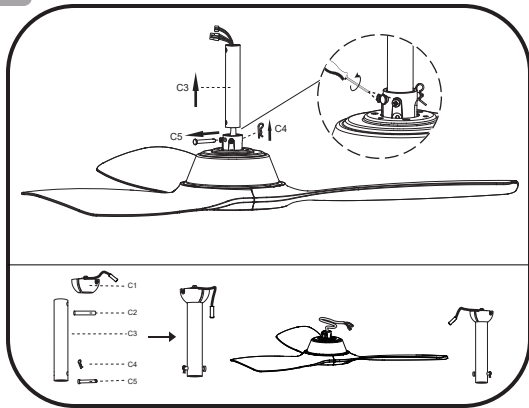
7



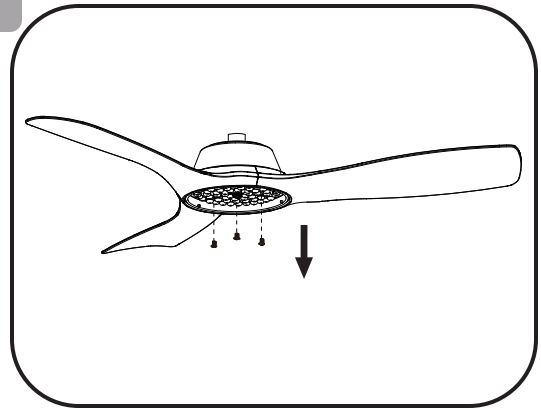
8



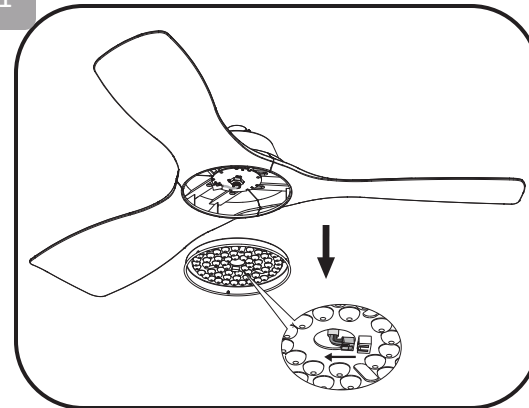
9



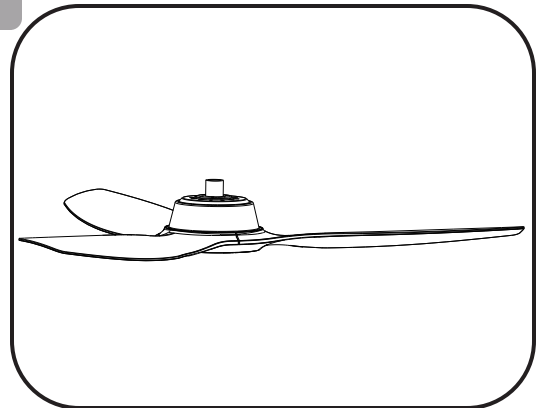
10



11



12

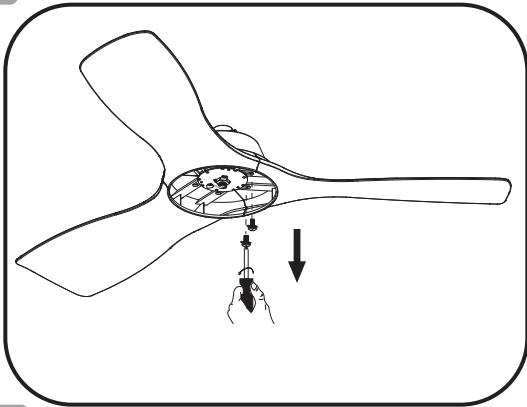


## Removability Induction on Disposal at End of Life

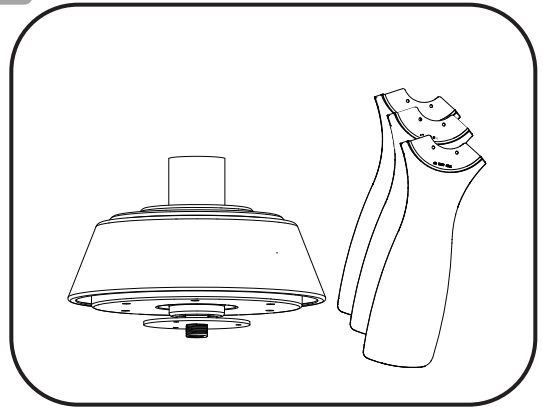
### •Composition Explanation –Fan ceiling



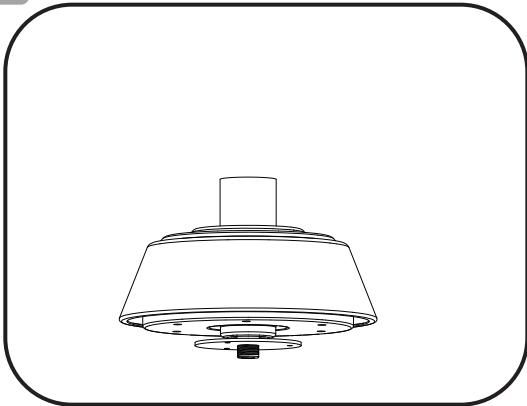
13



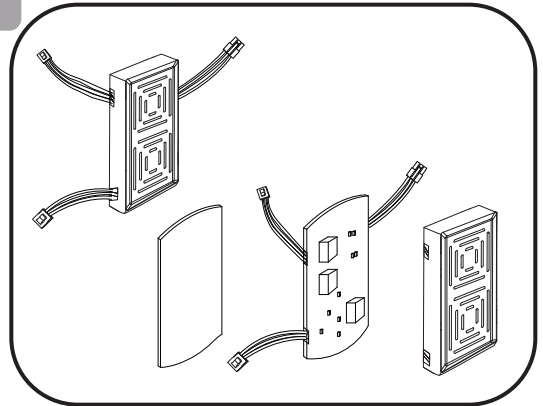
14



15

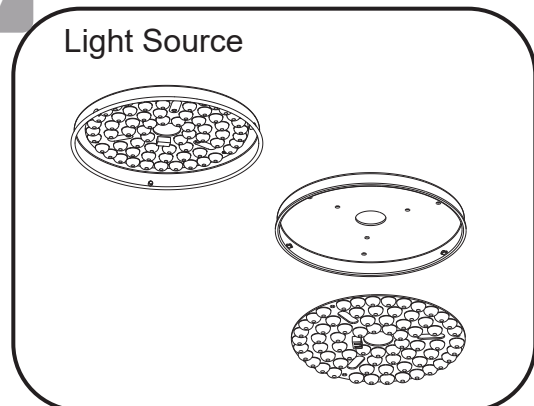


16



17

Light Source

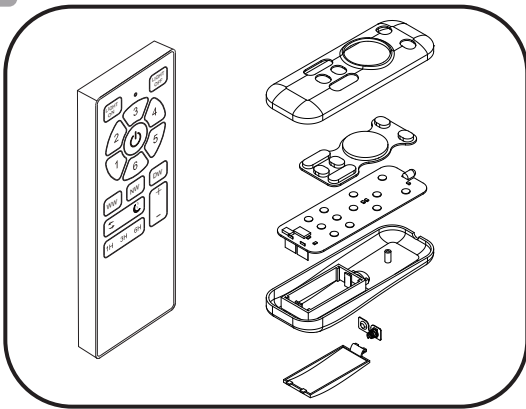


## Removability Induction on Disposal at End of Life

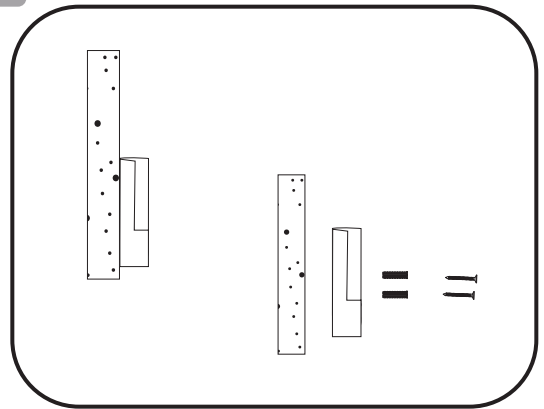
### •Composition Explanation –Fan ceiling



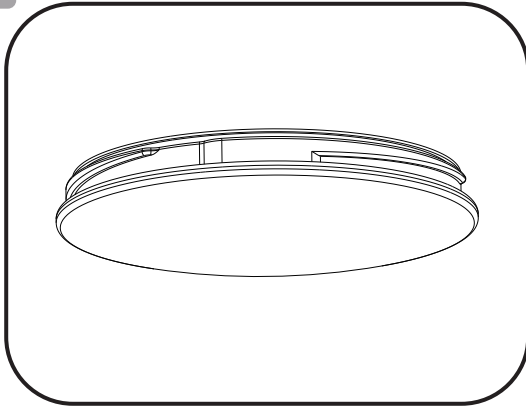
18



19



20

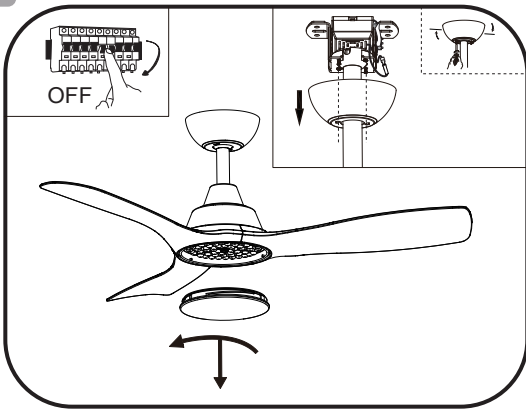


## Light source and control gear replacement instruction

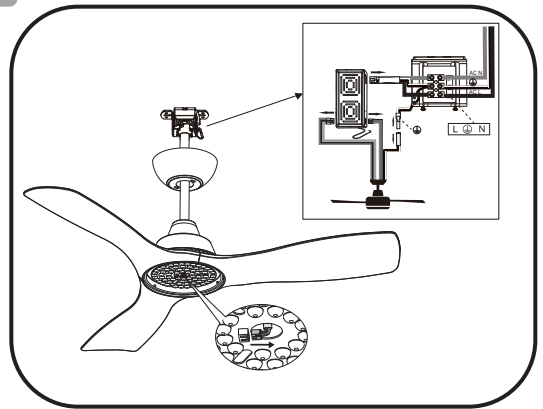
### •Composition Explanation –Fan ceiling



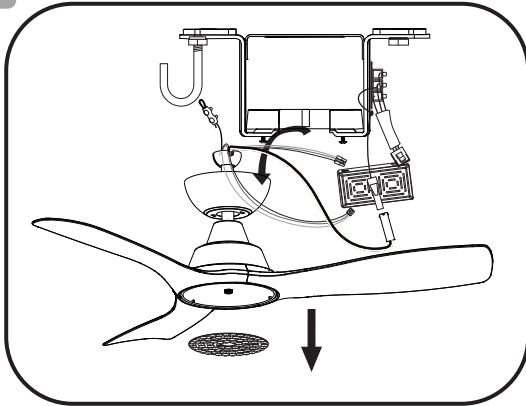
1



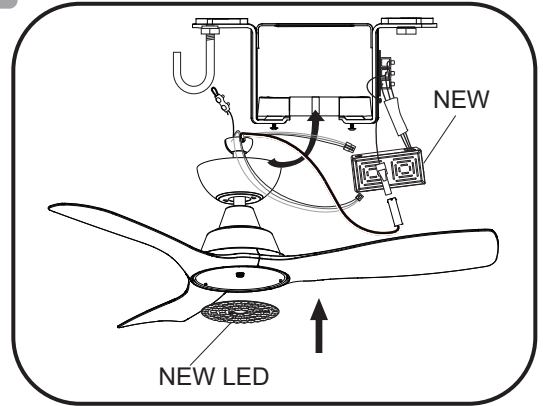
2



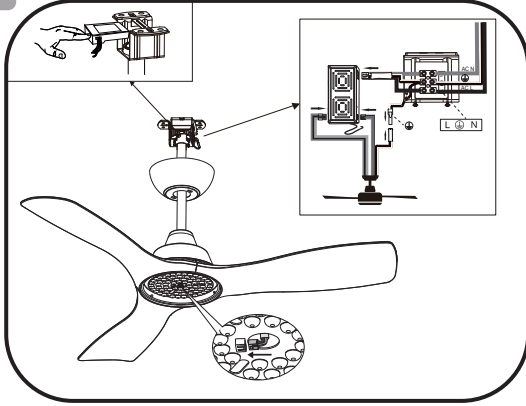
3



4



5



6

