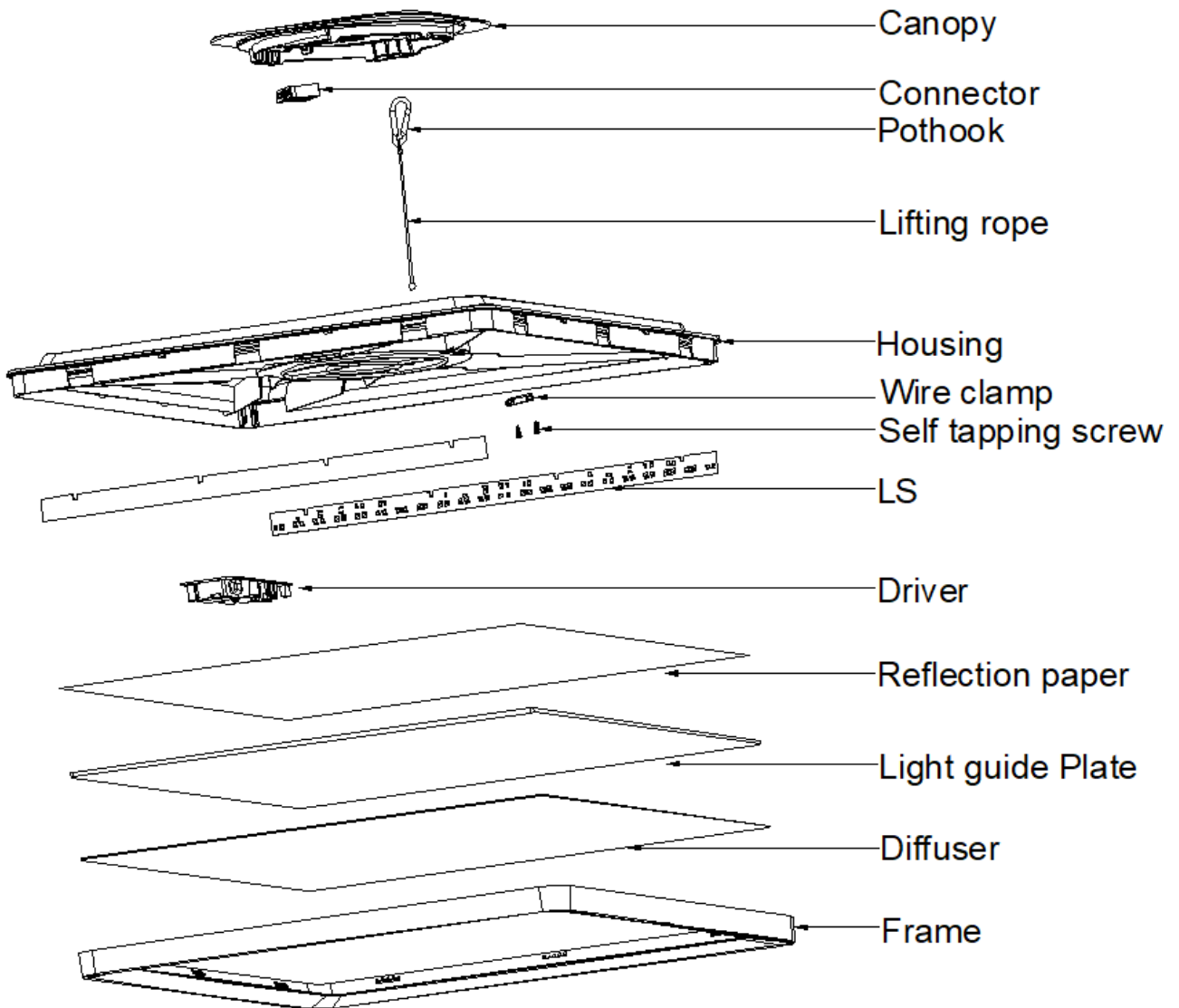


# Removability Introduction on Disposal at End of Life



## Composition Explanation –Square Panel Ceiling









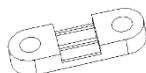
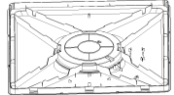
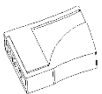
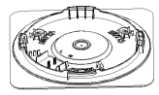


**Annotation: The single root L2 is defined as LS**

# Removability Introduction on Disposal at End of Life



## Composition Explanation – Square Panel Ceiling

Plastic part	Electrical part	Metal part
Frame 	Light Source (Level 2) 	Pothook 
Diffuser 	Separate Control Gear 	Lifting rope 
Light guide Plate 		
Reflection paper 		
Pressure line code 		
Housing 		
Connector 		
Canopy 		

### Dismantling

- Steps: refer to disassembly instruction
- Type: without permanent damage

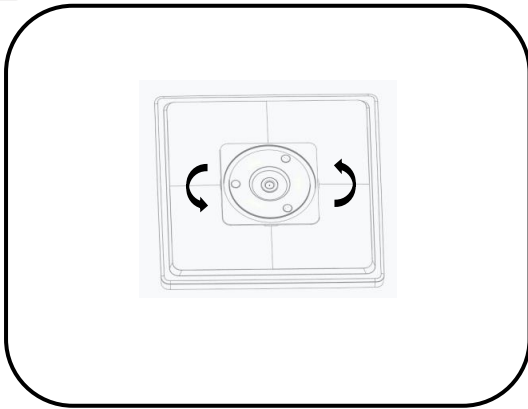
### Recommendation on disposal

- Plastic part :reuse and recycling
- Electrical part :incineration and disposal
- Metal part :recycling
- Battery part: recycling

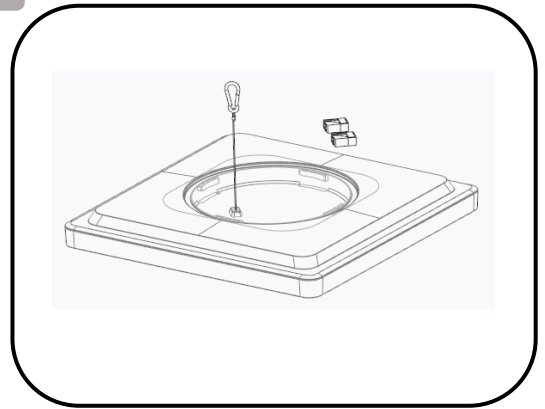
# Removability Introduction on Disposal at End of Life

## Disassembly Steps – Square Panel Ceiling

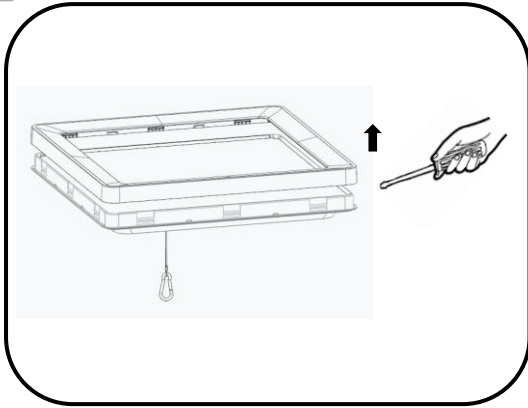
1



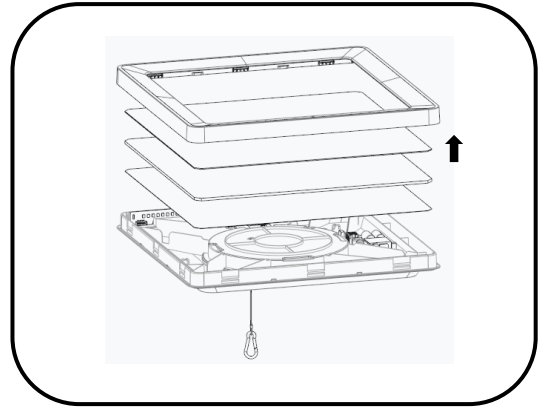
2



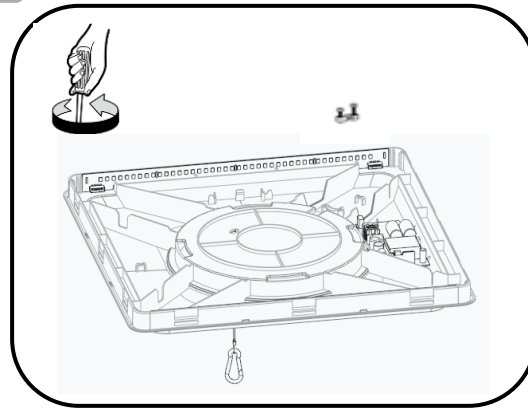
3



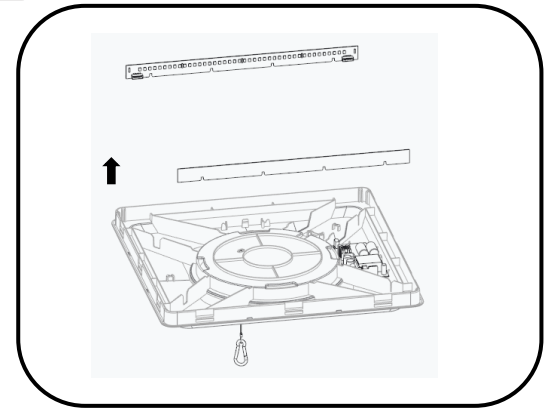
4



5



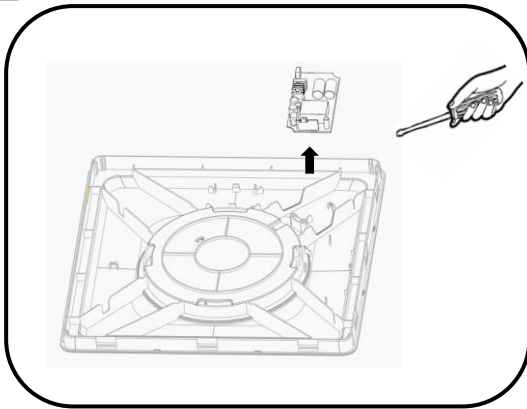
6



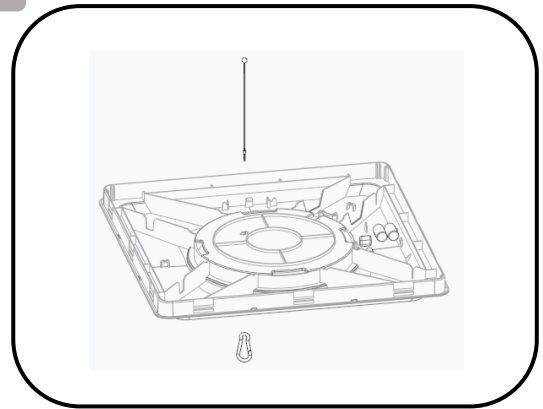
# Removability Introduction on Disposal at End of Life

## Disassembly Steps – Square Panel Ceiling

7



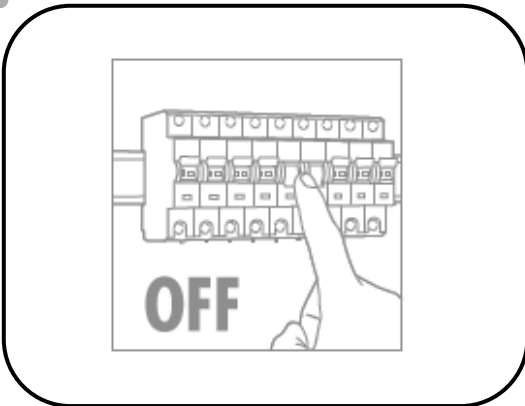
8



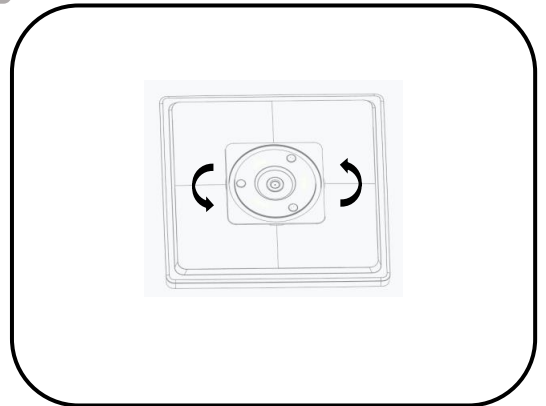
# L2 & Separate Control Gear Replacement procedure

## Steps– Square Panel Ceiling

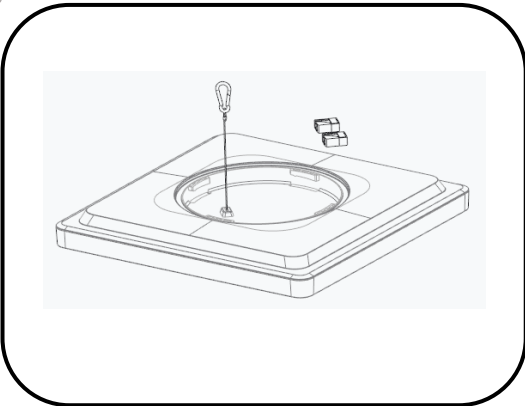
1



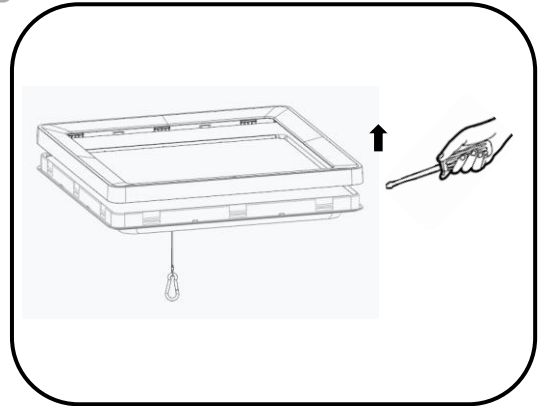
2



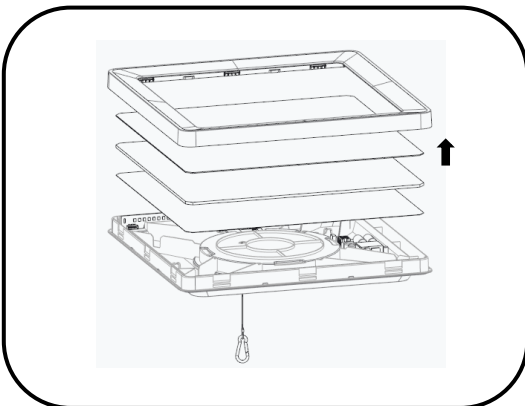
3



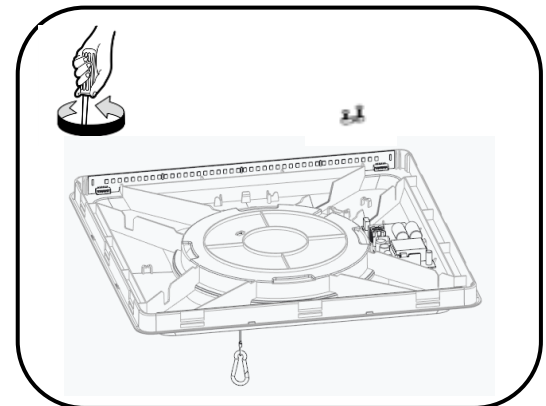
4



5



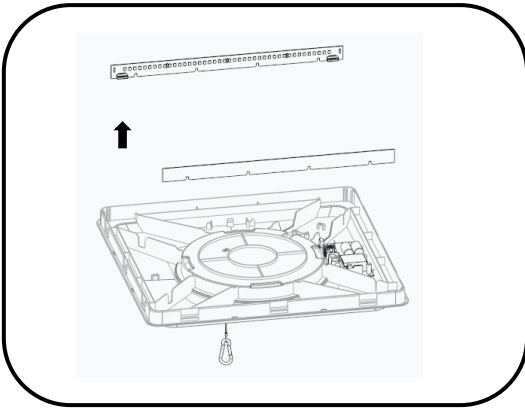
6



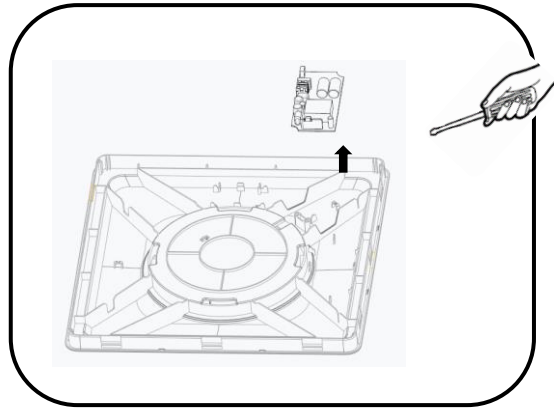
# L2 & Separate Control Gear Replacement procedure

## Steps– Square Panel Ceiling

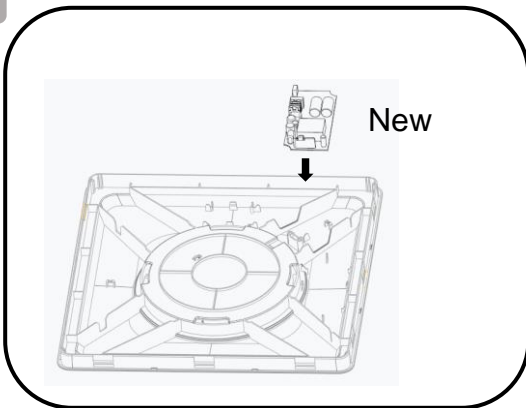
7



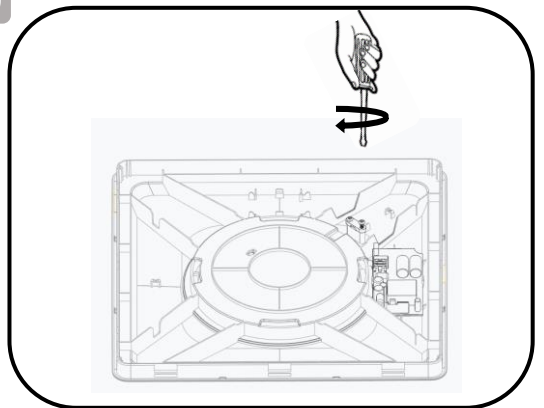
8



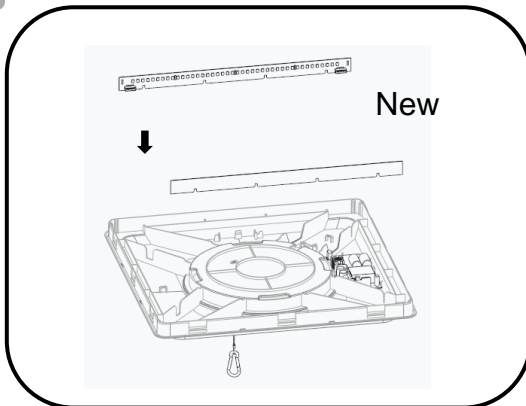
9



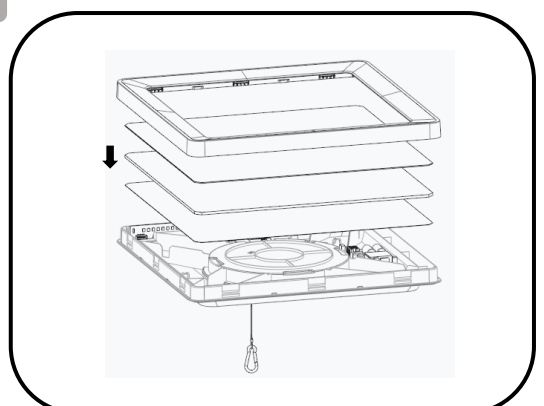
10



11



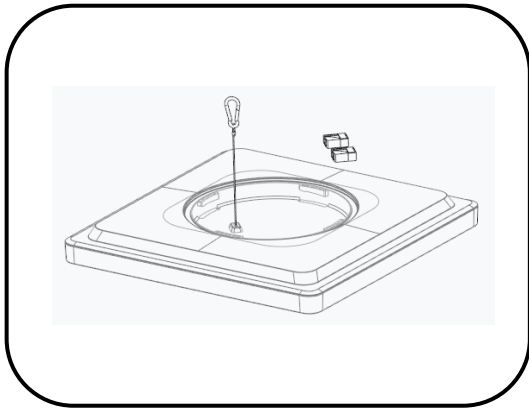
12



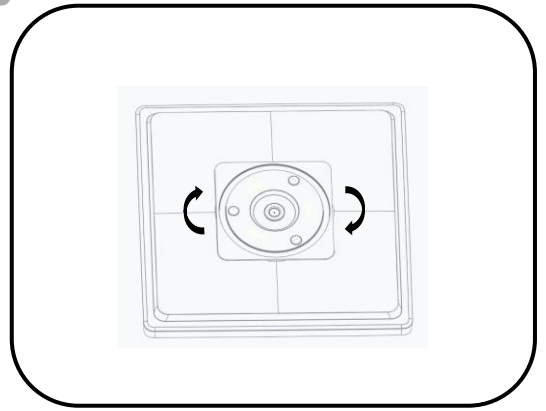
# L2 & Separate Control Gear Replacement procedure

## Steps– Square Panel Ceiling

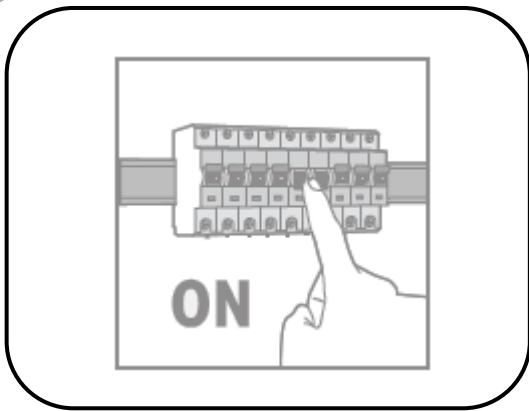
13



14



15

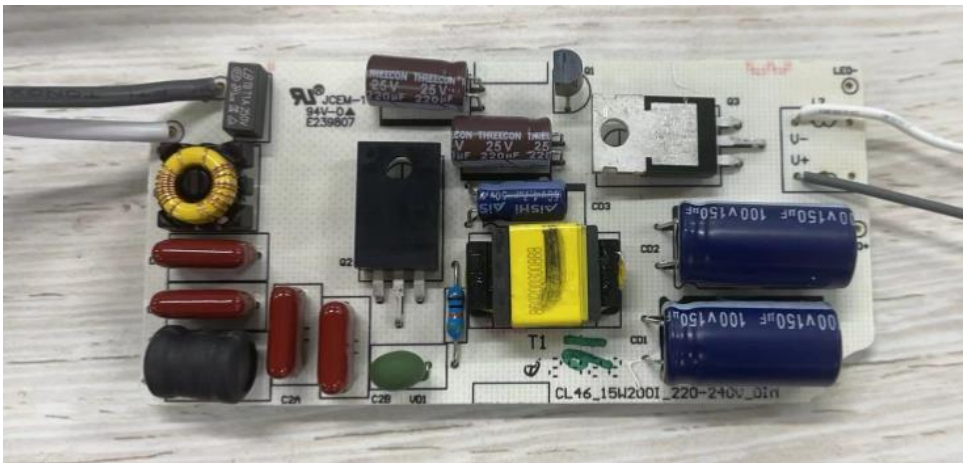


# Removability Introduction on Disposal at End of Life

## Additional Configuration Square Panel Ceiling

### Electrical connection of Separate Control Gear 12W

1



### Electrical connection of Separate Control Gear 15W

2

