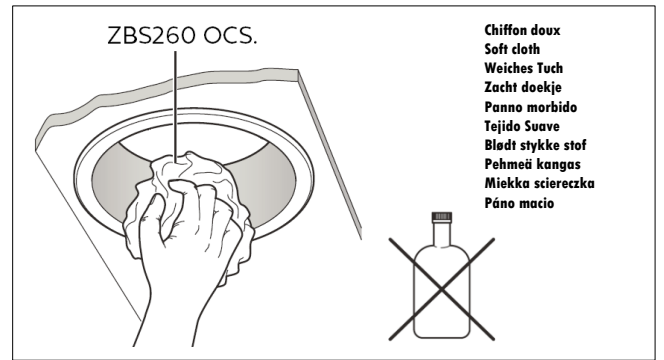
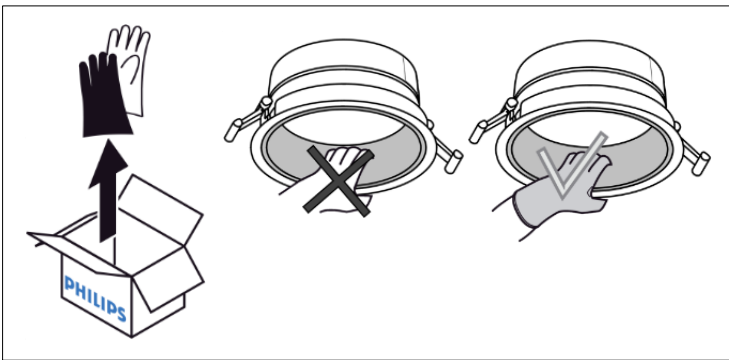
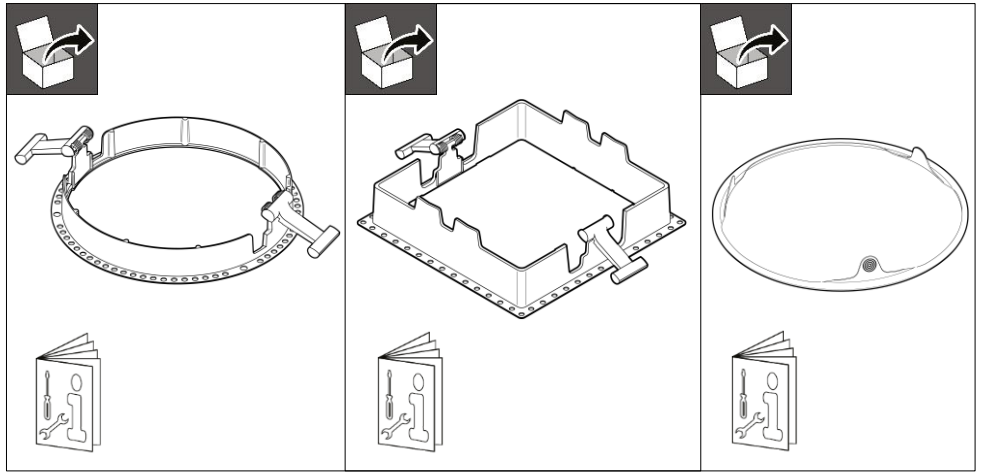


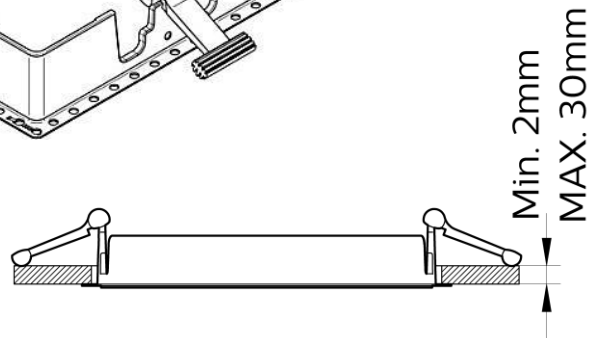
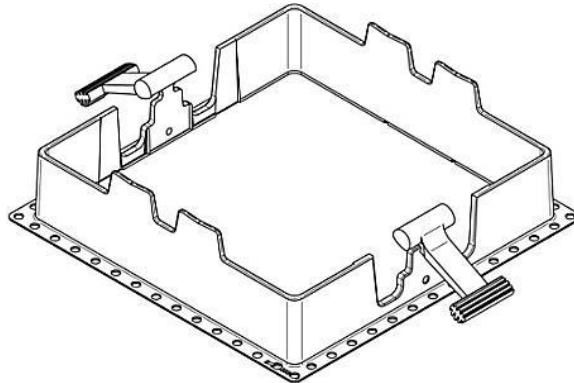
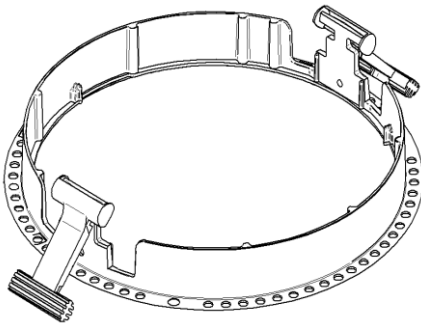
PHILIPS

LUXSPACE

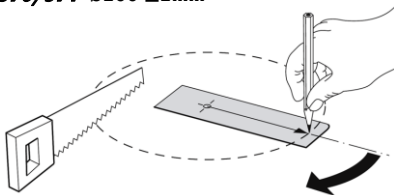
Accessories



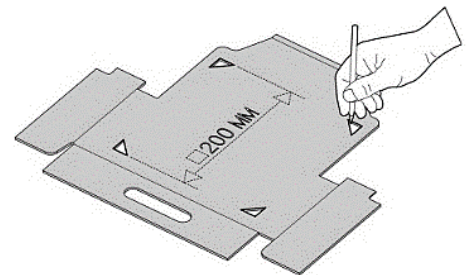
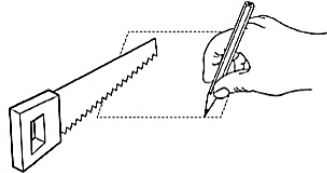
RIMLESS Accessory



DN560/561 $\varnothing 150 \pm 2\text{mm}$
DN570/571 $\varnothing 200 \pm 2\text{mm}$



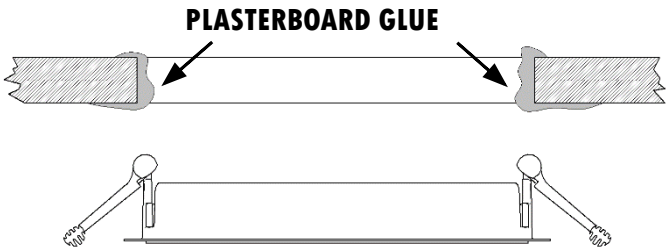
DN572B $\square 200 \pm 2\text{mm}$



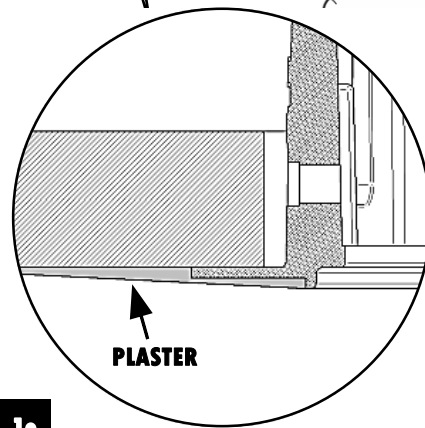
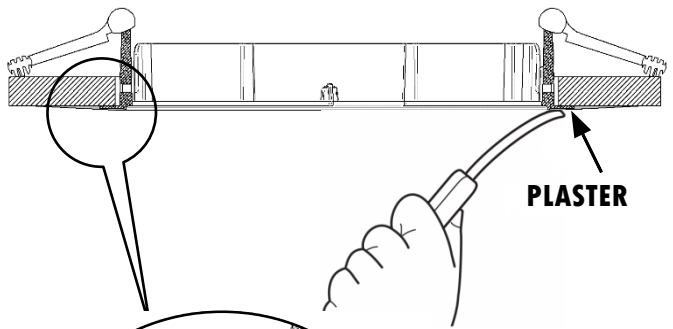
1a



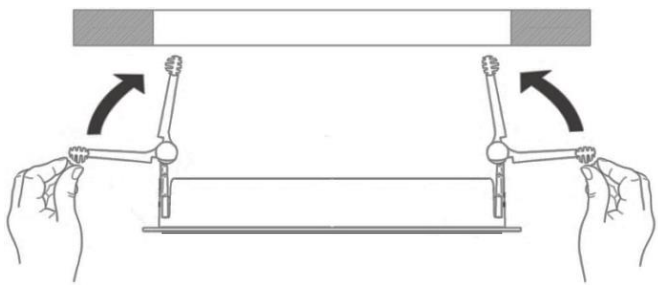
1b



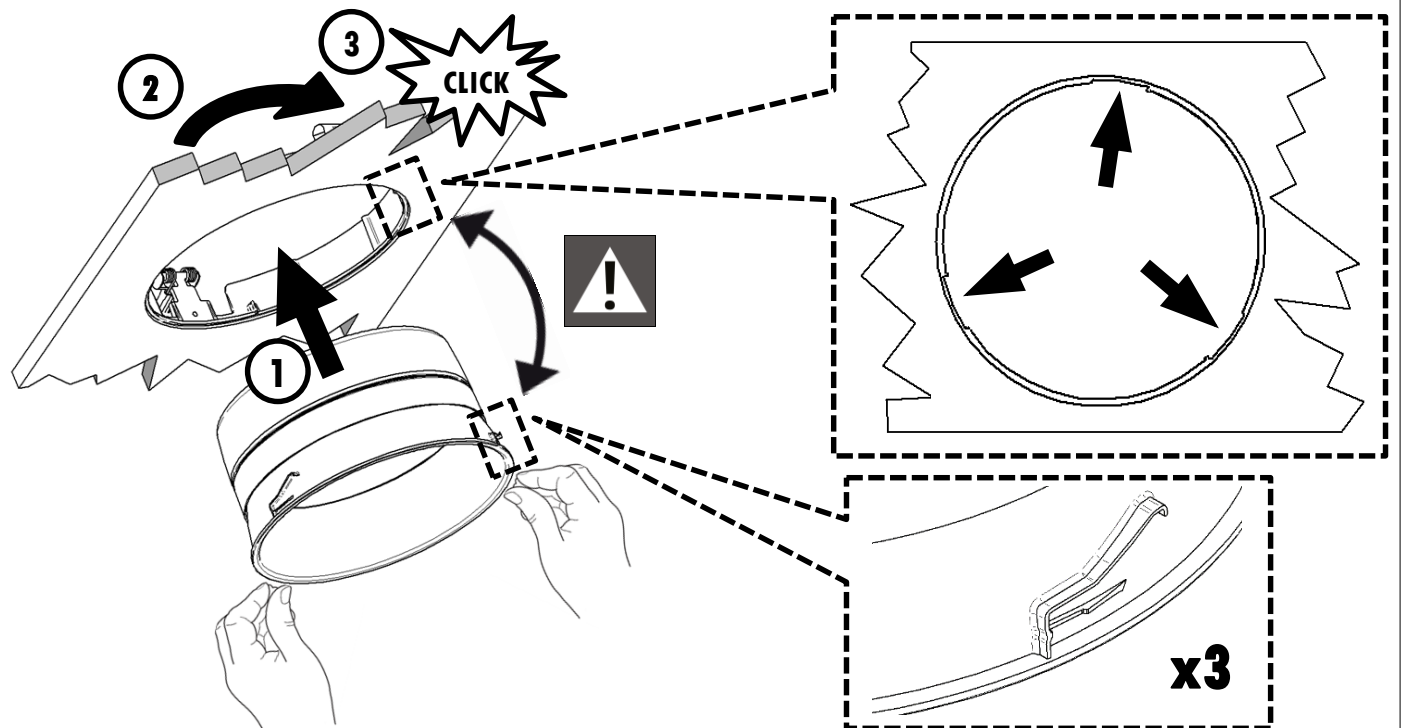
1c



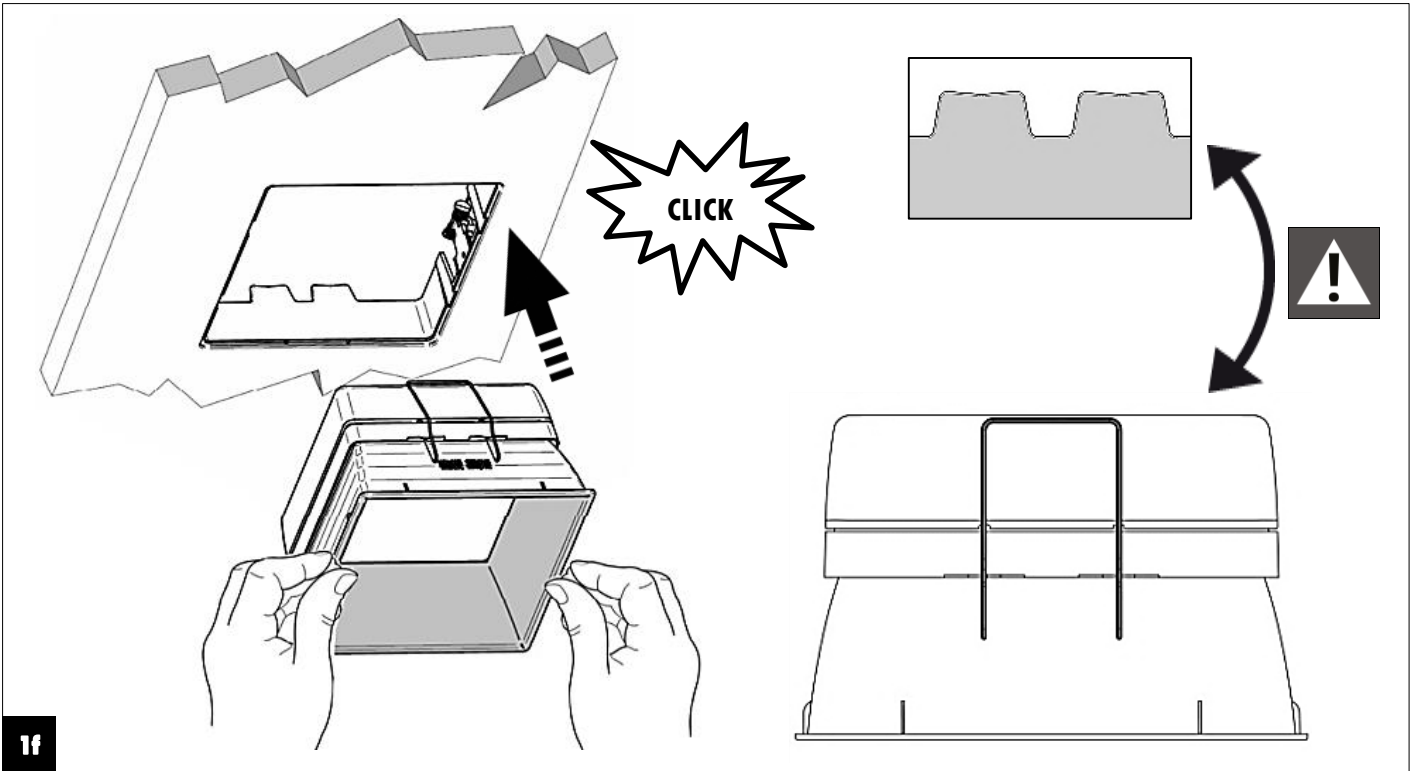
1e



1d



1f

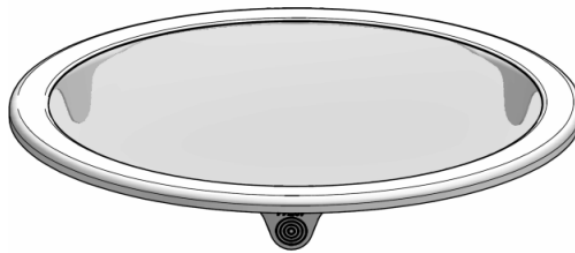


PG Accessory
PGO Accessory

DN560B / DN561B	LED8S
DN560B / DN561B	LED12S
DN560C / DN561C	LED8S
DN560C / DN561C	LED12S

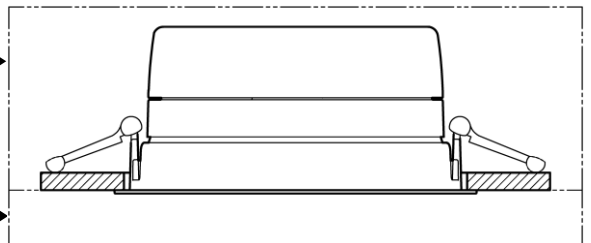
DN570B / DN571B	LED12S
DN570B / DN571B	LED20S
DN570B / DN571B	LED24S
DN570B / DN571B	LED40S

DN570C / DN571C	LED12S
DN570C / DN571C	LED20S
DN570C / DN571C	LED24S
DN570C / DN571C	LED40S

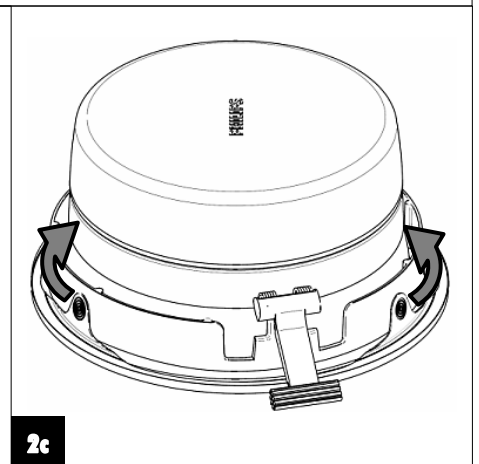
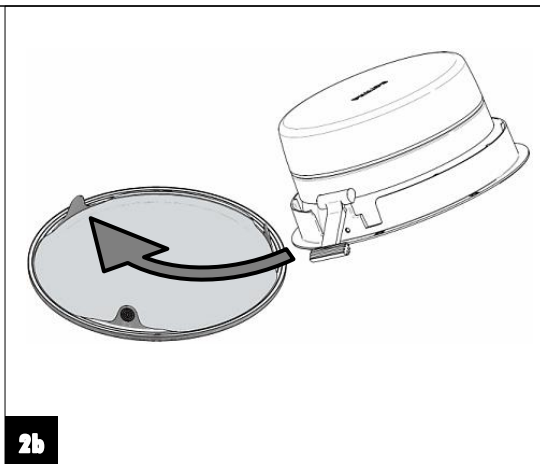
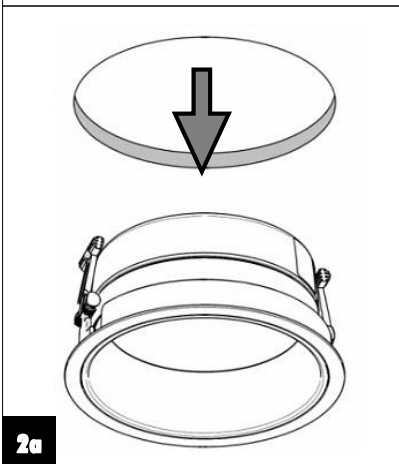


IP20 →

DN560B/561B
DN570B/571B IP54 →



! **DN570C/571C** IP20





© 2016 Philips Lighting Holding B.V

All rights reserved. Reproduction in whole or in part is prohibited without the prior written consent of the copyright owner.

The information presented in this document does not form part of any quotation or contract, is believed to be accurate and reliable and may be changed without notice. No liability will be accepted by the publisher for any consequence of its use.

Publication thereof does not convey nor imply any license under patent- or other industrial or intellectual property rights.

Philips Lighting Holding B.V.
The Netherlands