

PHILIPS

Current

LFC7510

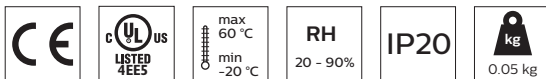
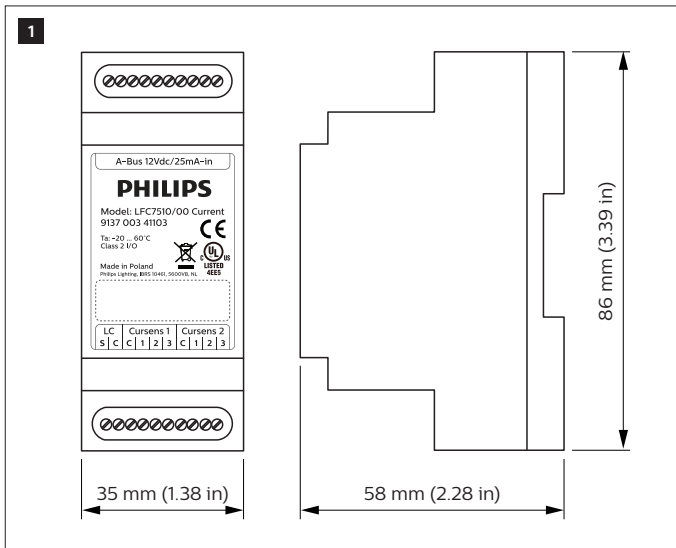


# Installation Instructions

Instructions d'installation  
Instrucciones de instalación

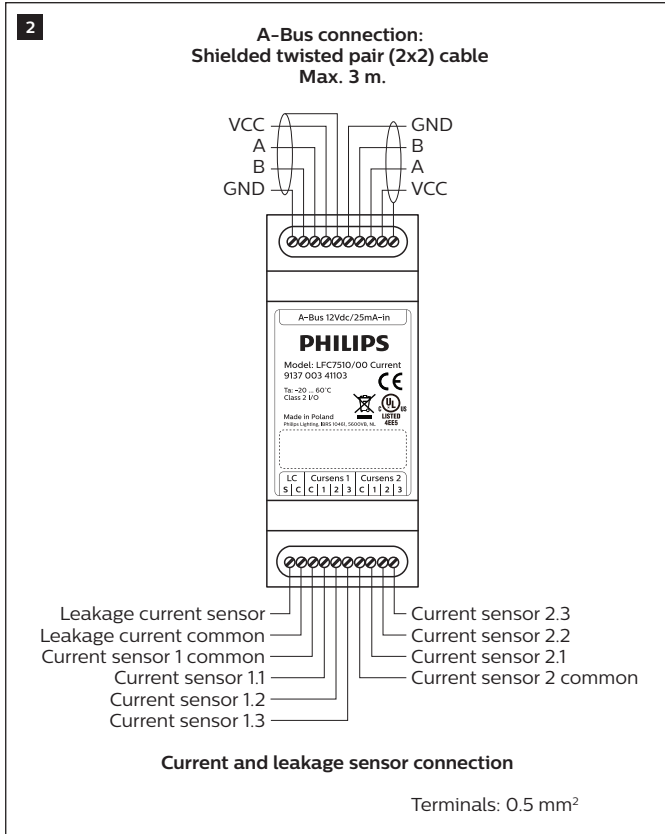
Istruzioni per l'installazione  
Installatie-instructies

Installationsanweisungen  
インストール手順  
إرشادات التركيب



4422 107 06882 22 November 2018

[www.philips.com/lighting](http://www.philips.com/lighting)



© 2018 Signify Holding. All rights reserved. Specifications are subject to change without notice. No representation or warranty as to the accuracy or completeness of the information included herein is given and any liability for any action in reliance thereon is disclaimed. Philips and the Philips Shield Emblem are registered trademarks of Koninklijke Philips N.V. All other trademarks are owned by Signify Holding or their respective owners.  
4422 107 06882 22 November 2018



[www.philips.com/lighting](http://www.philips.com/lighting)

PHILIPS

Current

LFC7510

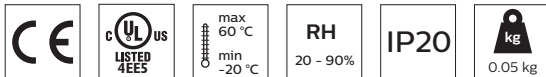
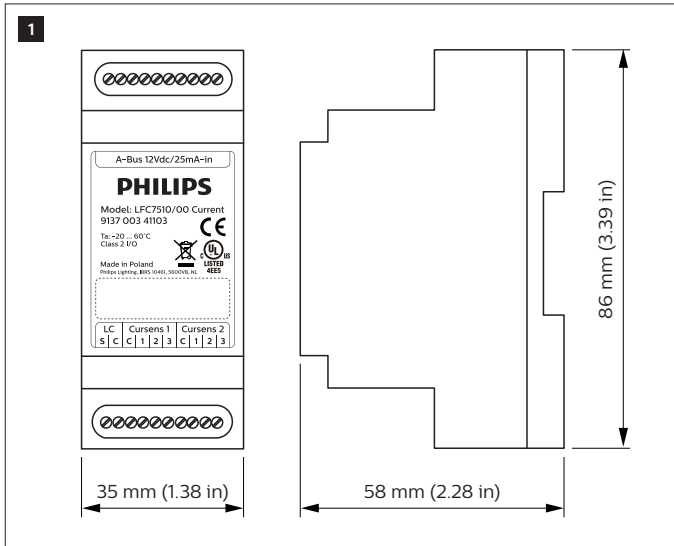


# Installation Instructions

Instructions d'installation  
Instrucciones de instalación

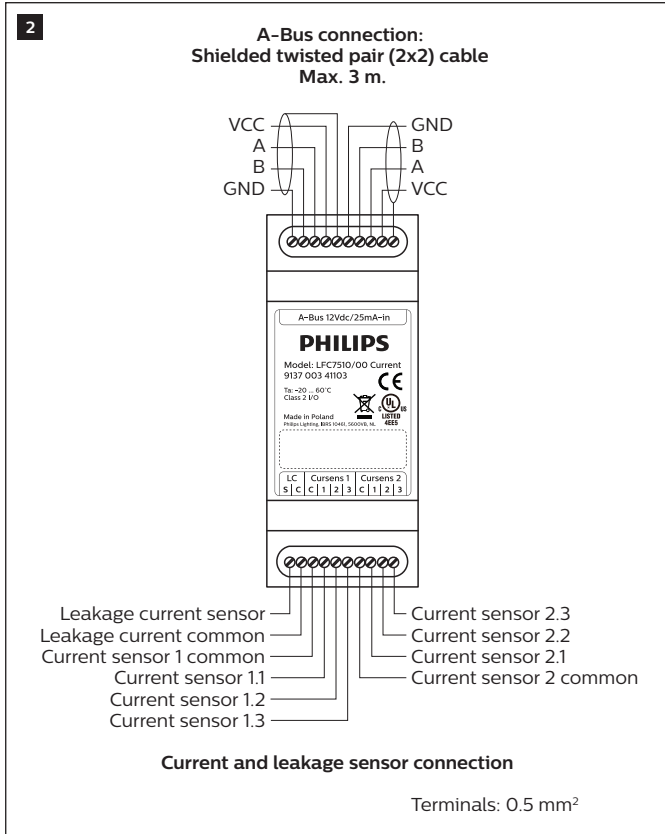
Istruzioni per l'installazione  
Installatie-instructies

Installationsanweisungen  
インストール手順  
إرشادات التركيب



4422 107 06882 22 November 2018

[www.philips.com/lighting](http://www.philips.com/lighting)



© 2018 Signify Holding. All rights reserved. Specifications are subject to change without notice. No representation or warranty as to the accuracy or completeness of the information included herein is given and any liability for any action in reliance thereon is disclaimed. Philips and the Philips Shield Emblem are registered trademarks of Koninklijke Philips N.V. All other trademarks are owned by Signify Holding or their respective owners.  
4422 107 06882 22 November 2018



[www.philips.com/lighting](http://www.philips.com/lighting)