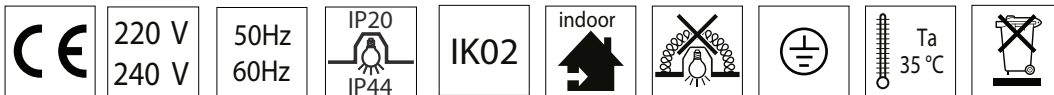
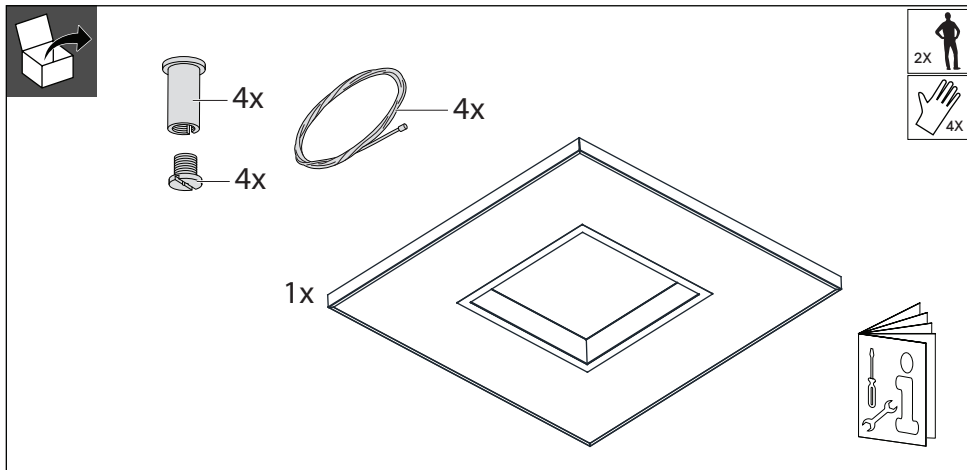



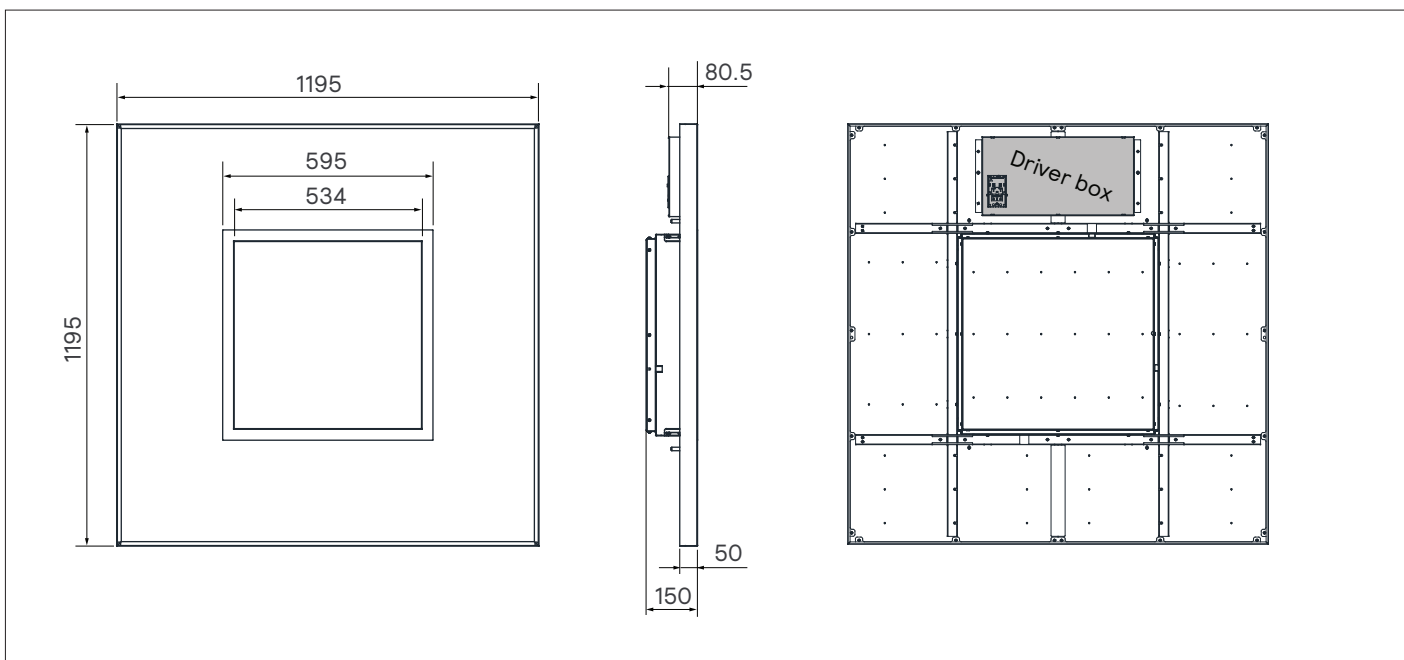
NatureConnect

by @signify

NatureConnect
skylight W120L120

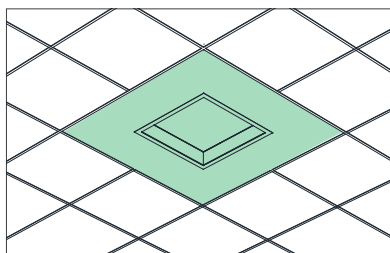


	Power	Current	Dimensions LxWxH	
NatureConnect skylight W120L120	150 W	0.7 A	1195x1195x150 mm	30 kg

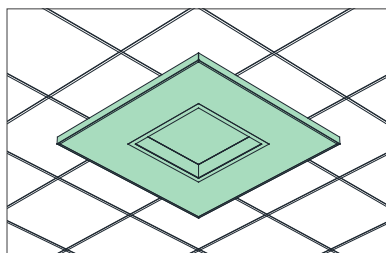


Three installation methods:

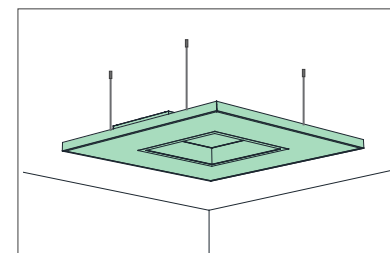
a. Suspended recessed



b. Suspended surface mounted



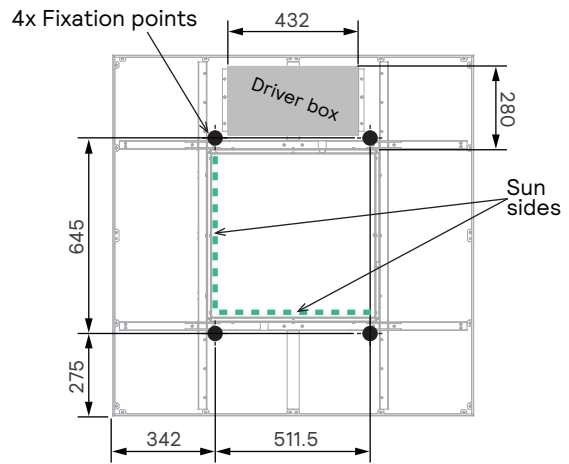
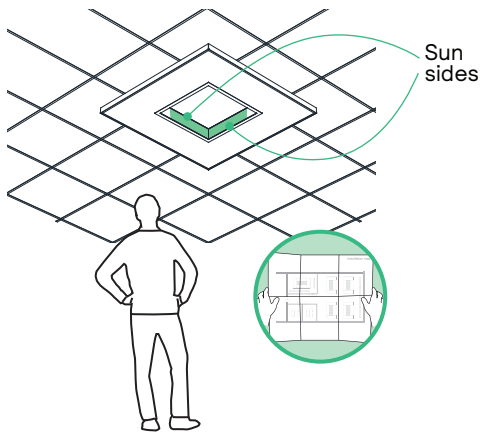
c. Suspended open ceiling



Always use gloves when installing luminaire.



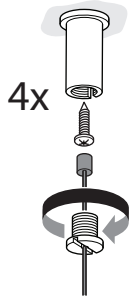
Determine orientation of the Skylight in the ceiling according to the lighting plan



1

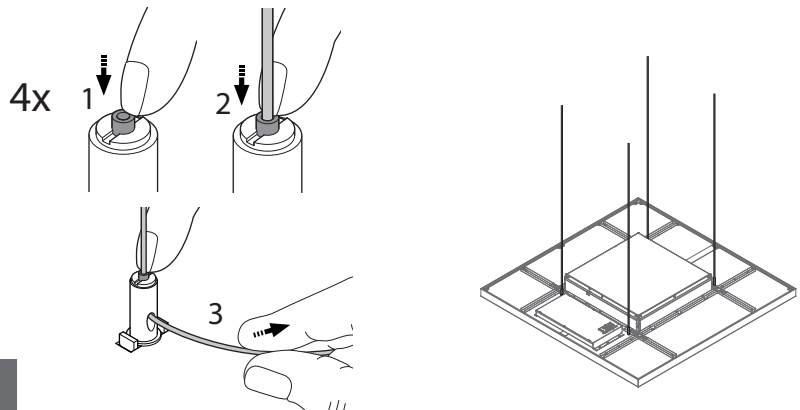


Fix the four steel cables to the ceiling according to the orientation of the luminaire



2

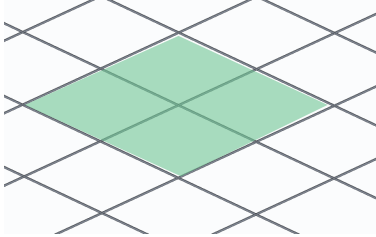
Insert the suspension cables in the four cable grippers on the luminaire



3

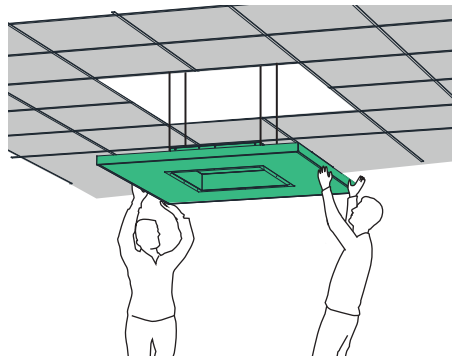
Suspended recessed in system ceiling

2x2 tiles opening in the ceiling

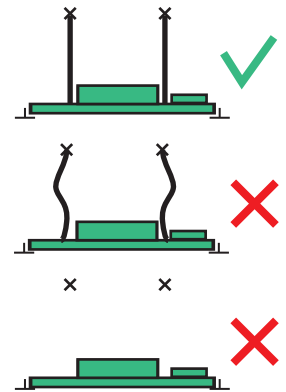


4a

Insert the luminaire through the opening

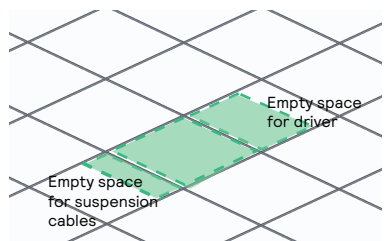


5a



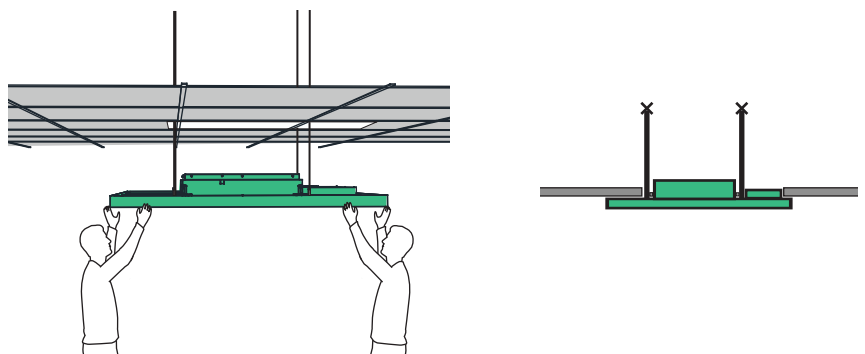
! No mechanical load on the ceiling

Suspended surface mounted in system ceiling



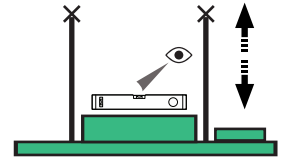
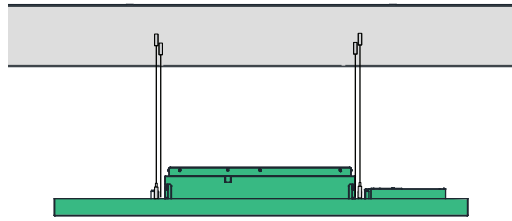
4b

Insert the middle part of the luminaire in the opening.



5b

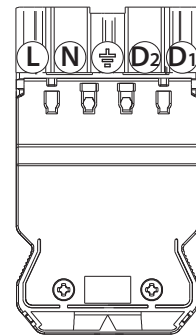
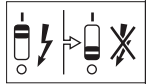
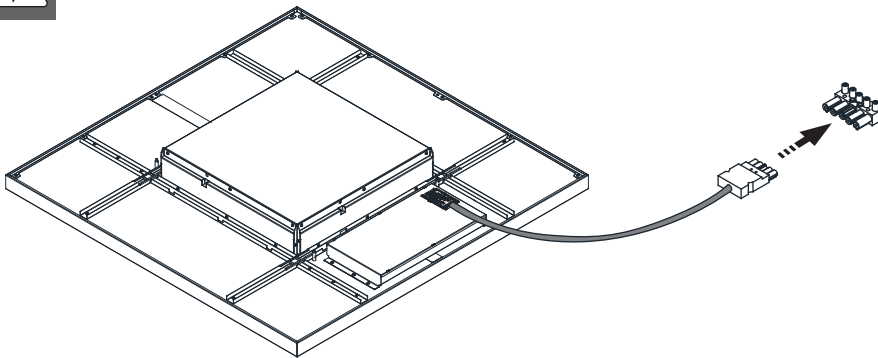
Suspended open ceiling



4c

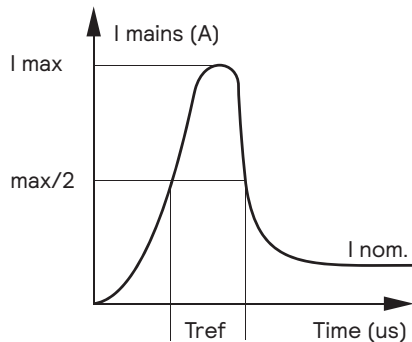


Connection to mains



connector GST18i5, male

Inrush current



Electrical characteristics

I_{max} (A)	50
T_{ref} (us)	330
MCB	Max n. of lumin.
B-10 A	3
B-16 A	6
C-10 A	6
C-16 A	10



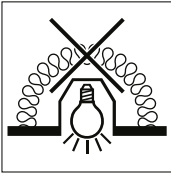
- The luminaire shall be installed by a qualified electrician and wired in accordance with the latest IEE electrical regulations or the national requirements.
- The external flexible cable contained in this luminaire shall only be replaced by the manufacturer or his service agent or a similar qualified person.
- The product is partially IPX0 & as such is not protected against water ingress & as such we strongly recommend that the environment in which the luminaire is to be installed is suitably checked.
- If the above advice is not taken and the luminaires are subject to water ingress, Signify cannot guarantee safe failure & product warranty will become void.
- During installation or maintaining the luminaire please use gloves to avoid spots on the cover.
- To remove dust and spots use the following:
 - Dust: use micro fiber cloths only
 - Fingerprints, etc.: use a cleaner for synthetic materials with antistatic properties.
- Luminaire has basic insulation between Low Voltage supply and control conductors.



- The luminaire shall, under no circumstance, be covered with thermal insulation matting or similar material.

INFORMATION ON MINIMUM CLEARANCE DISTANCES (for Australia and New Zealand)

NatureConnect LP911P NC2 SKYLIGHT A W120L120 is a Do-Not-Cover luminaire type.



Please note the following warnings for recessed application:

- **Australia and New Zealand**

WARNING – RISK OF OVERHEATING OR FIRE IF THE CLEARANCE DISTANCES ARE COMPROMISED.

Abbreviations (clearances):

1. HCB (Height clearance to building element)
Minimum distance as specified by the luminaire manufacturer between the top of the recessed luminaire and any building element above it.
2. MIC (Minimum insulation clearance)
Minimum distance as specified by the luminaire manufacturer between the top of the recessed luminaire and the building insulation above it.
3. SCB (Side clearance to building element)
Minimum distance between the side of the recessed luminaire and any building element as specified in AS/NZS 3000, or as specified by the luminaire manufacturer.
4. SCI (Side clearance to insulation)
Minimum distance as specified by the luminaire manufacturer between the recessed luminaire and any building insulation.

Minimum clearances requirements for LP911P NC2 SKYLIGHT A W120L120 luminaire:

**RISK OF FIRE — BUILDING INSULATION MUST NOT COVER
THIS LUMINAIRE**

HCB = 0 mm MIC = 10 mm SCB = 0 mm SCI = 0 mm

- **New Zealand (additional)**

WARNING — THIS LUMINAIRE IS NOT SUITABLE FOR INSTALLATION IN LOCATIONS WHERE THERMAL INSULATION IS PRESENT, OR MAY REASONABLY BE EXPECTED TO BE INSTALLED IN THE FUTURE, OR WHERE THERE IS A LIKELIHOOD OF OTHER COMBUSTIBLE MATERIAL, E.G. LEAVES OR VERMIN DEBRIS, ETC. COLLECTING ON OR AROUND THE LUMINAIRE. IT IS NOT SUITABLE FOR DOMESTIC INSTALLATIONS OR INSTALLATION IN RESIDENTIAL AREAS OF NON-DOMESTIC INSTALLATIONS (RESIDENTIAL INSTITUTIONS, HOTELS, BOARDING HOUSES, HOSPITALS, ACCOMMODATION HOUSES, MOTELS, HOSTELS AND THE LIKE).