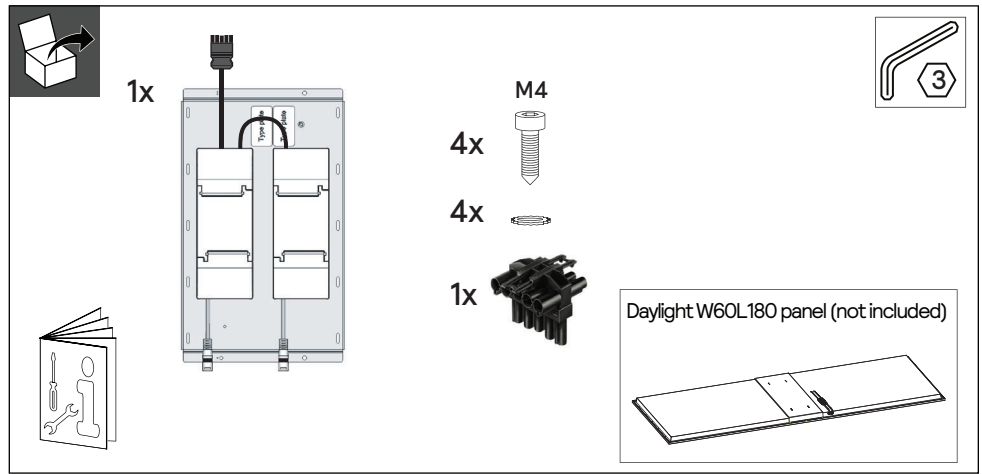


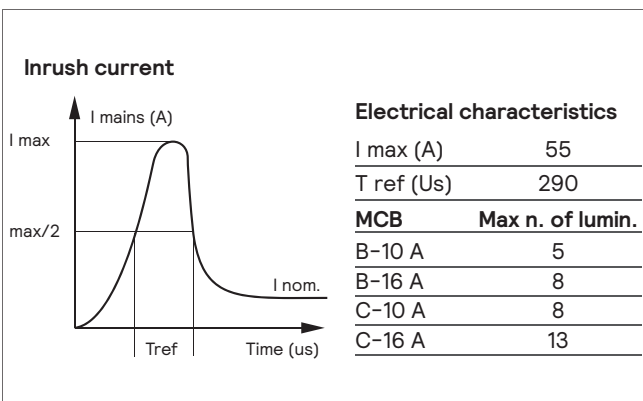
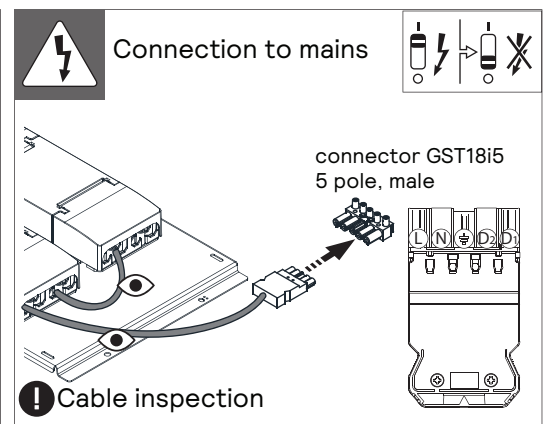
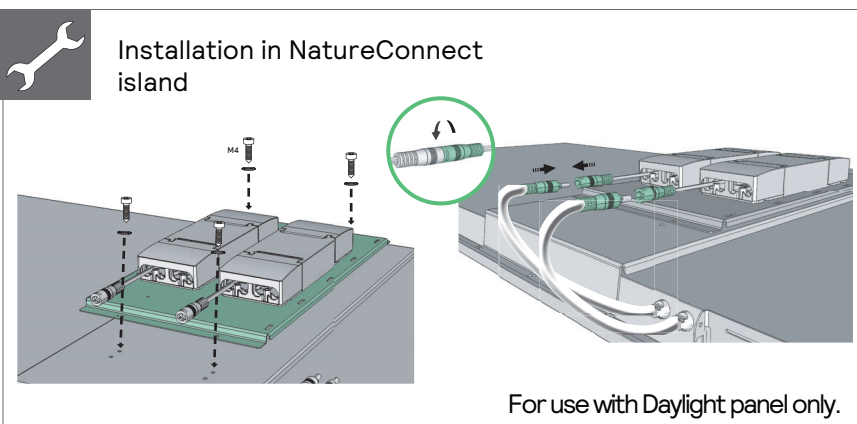
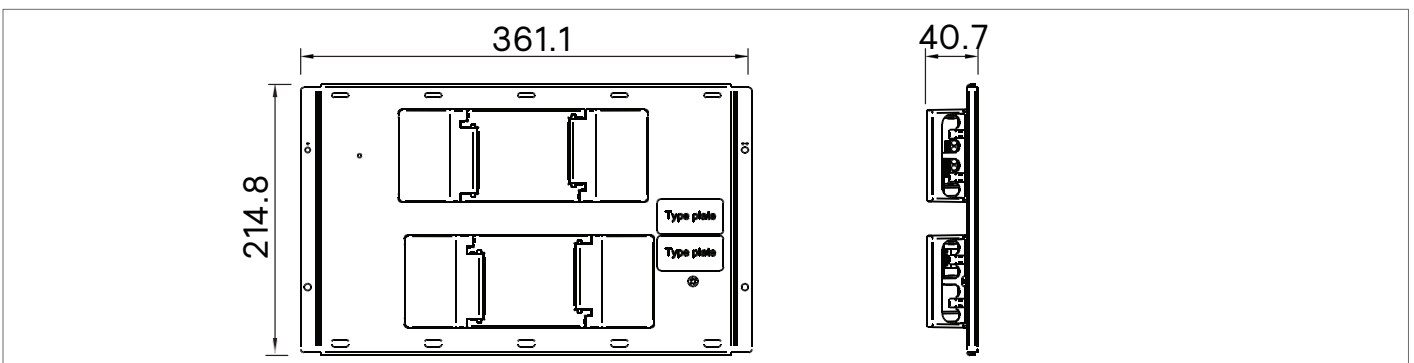
NatureConnect

by Signify

Daylight W60L180 driver



	Power (W)	Output current (A)	Voltage (V)	Dimensions LxWxH (mm)	kg
Daylight W60L180 driver	110	max. 2x 1.3	max. 60	361.1x214.8x40.7	1.5



ATTENTION
OBSERVE PRECAUTIONS
FOR HANDLING
ELECTROSTATIC
SENSITIVE
DEVICES

- The driver shall be installed by a qualified electrician and wired in accordance with the latest IEE electrical regulations or the national requirements.
- If the external flexible cable or cord of this luminaire is damaged, it shall be exclusively replaced by the manufacturer, his service agent or similar qualified person in order to avoid hazard.
- The product is IPX0 & as such is not protected against water ingress & as such we strongly recommend that the environment in which the luminaire is to be installed is suitably checked.
- If the above advice is not taken and the luminaires are subject to water ingress, Signify cannot guarantee safe failure & product warranty will become void.