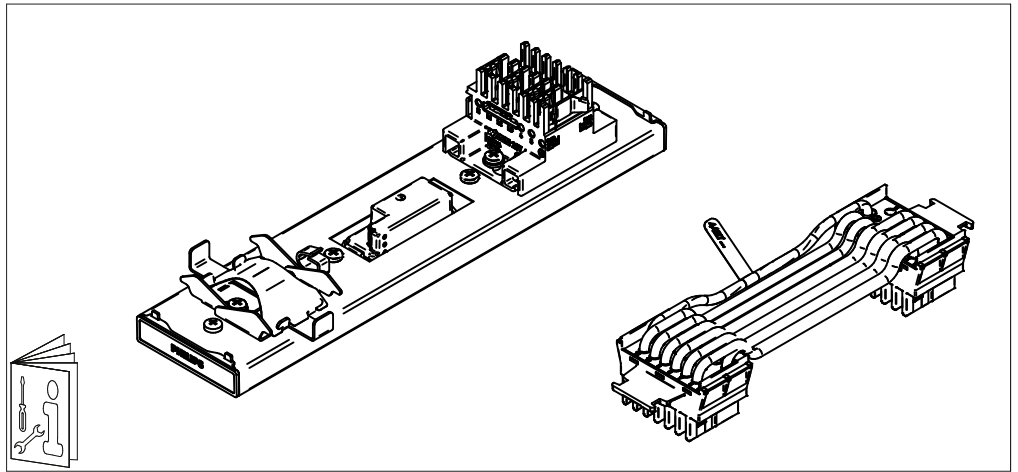


PHILIPS

Maxos Fusion

LL500E



220V
240V

50Hz
60Hz



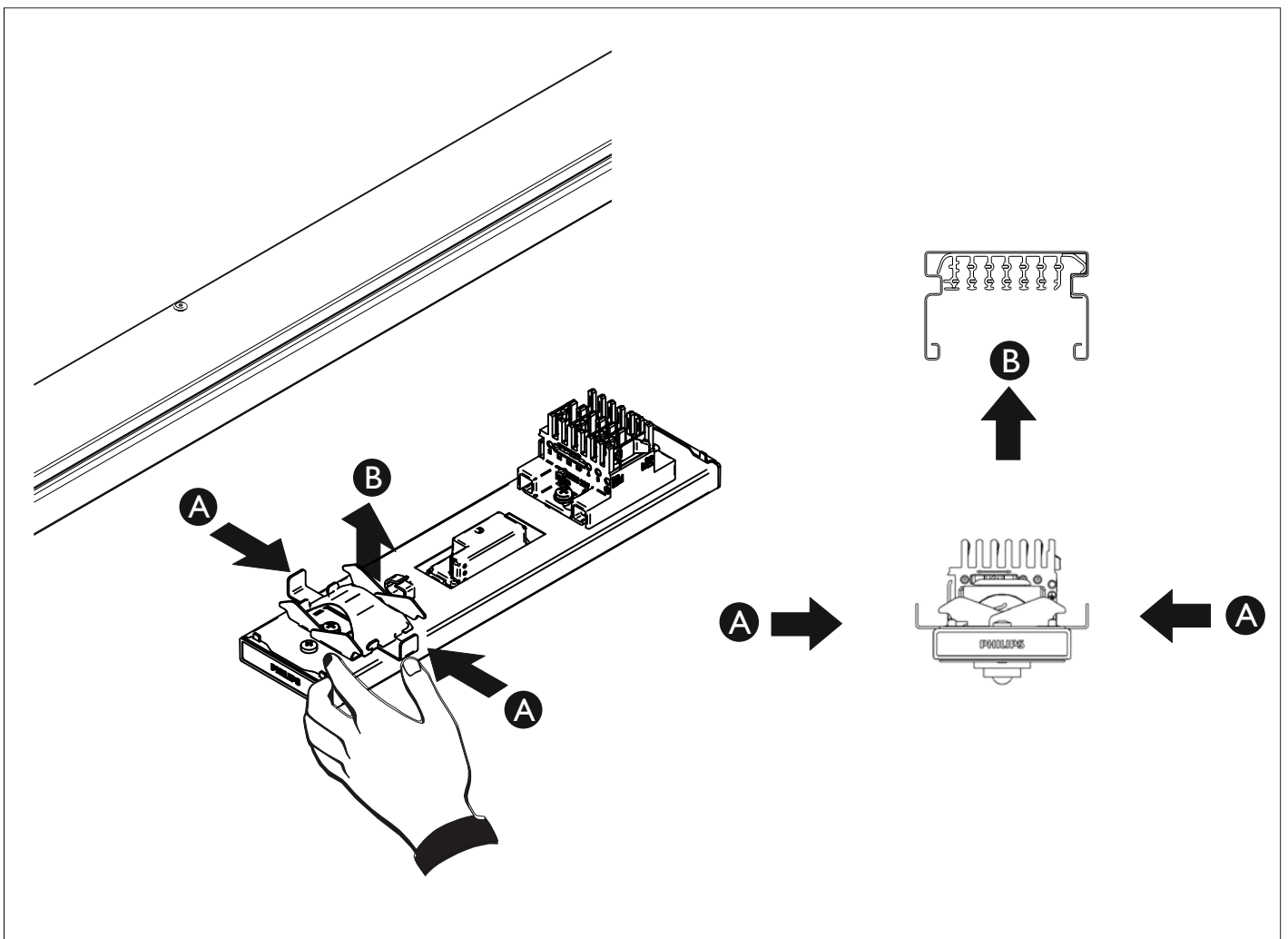
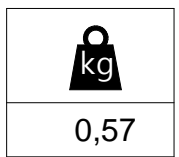
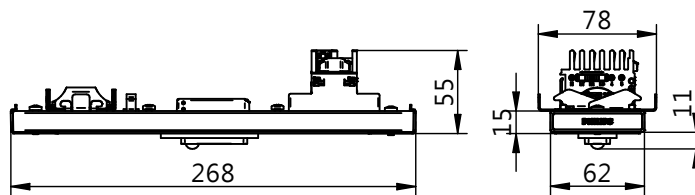
Max.
35°C
Min.
-20°C

IK02

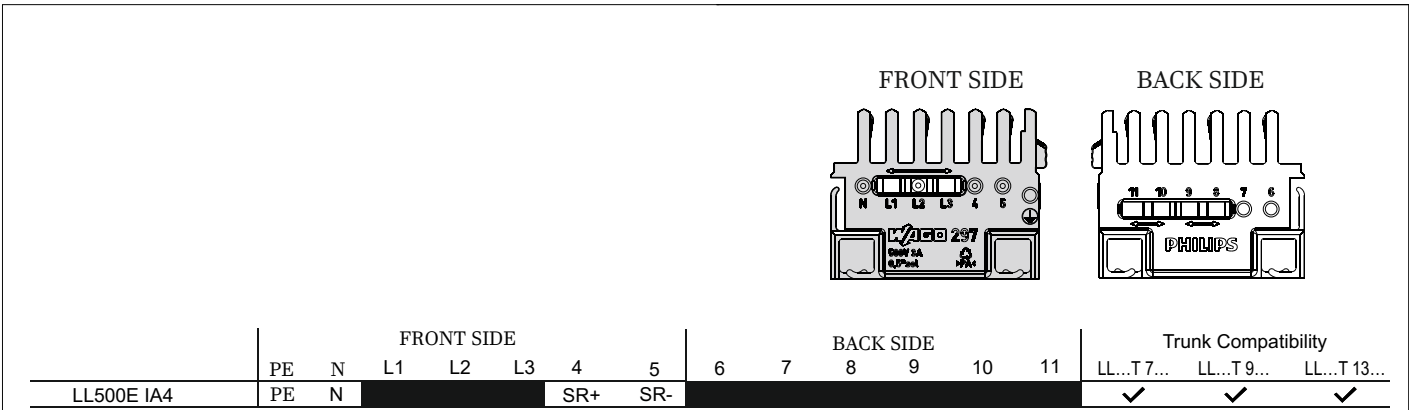
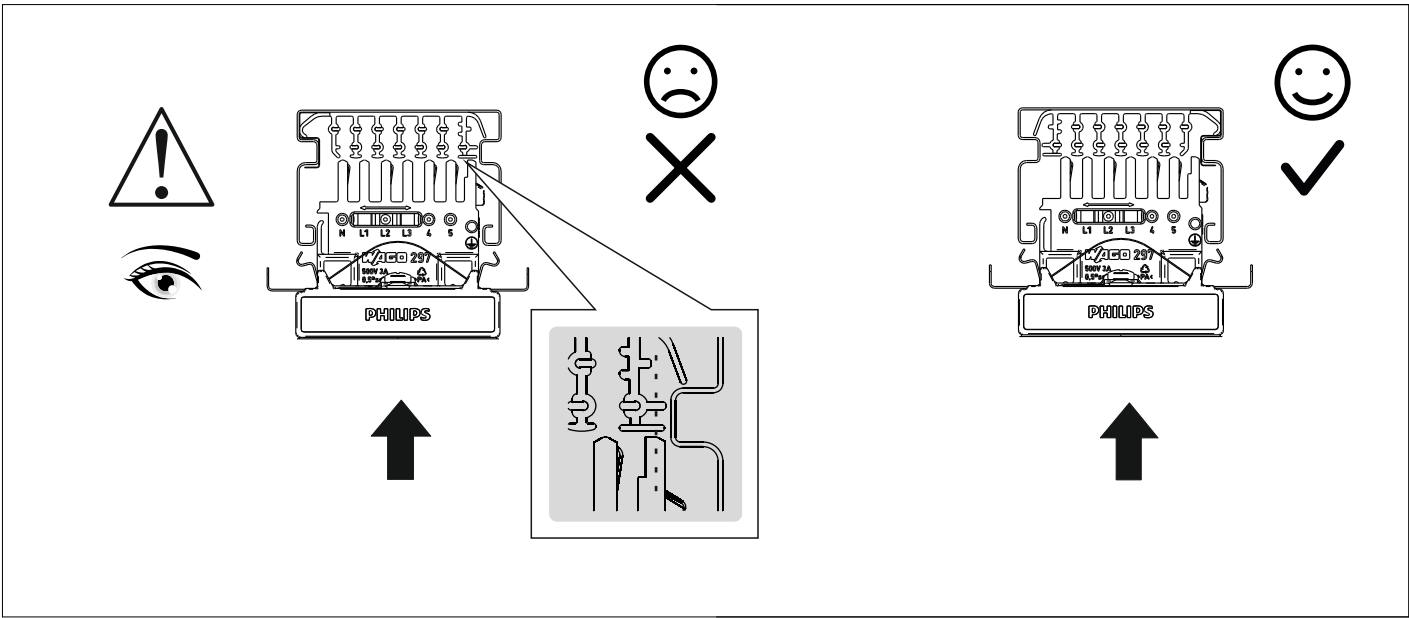
IP20



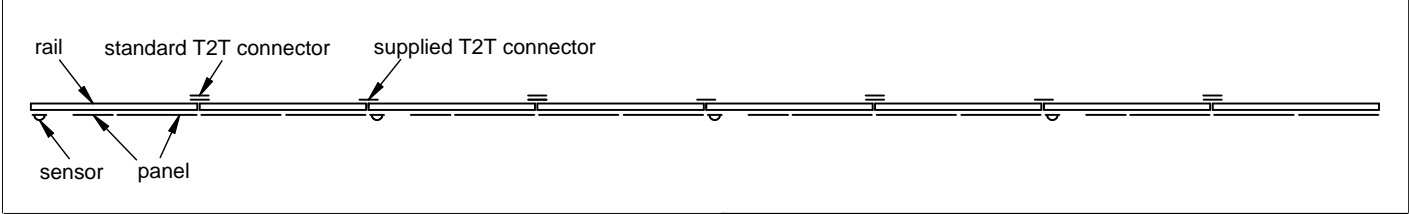
LL500E IA4
(with SNS210/w IA sensor)



442710465160
2022-11-19
© Signify Holding
All rights reserved



- for use with SR drivers
- one sensor can support Max 4 drivers. DALI line needs to be interrupted after max 4 drivers
- use the supplied T2T connector to electrically separate group of 1 sensor + 4 drivers with another group along the line



- Minor movement (person moving ≤ 0.9 m/s).
- Major movement (person moving ≥ 0.9 m/s)..

Height	Minor Movement		Major Movement	
	X1	Y1	X2	Y2
2.4 m	1.9 m	2.9 m	2.9 m	4.3 m
3 m	2.4 m	3.6 m	3.6 m	5.4 m

Note: Longer dimension of detection area (Y1, Y2) is parallel to longer dimension of EasyAir SNS210 .

