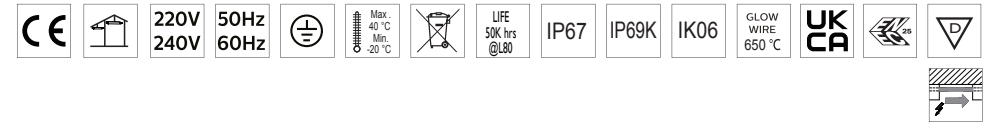
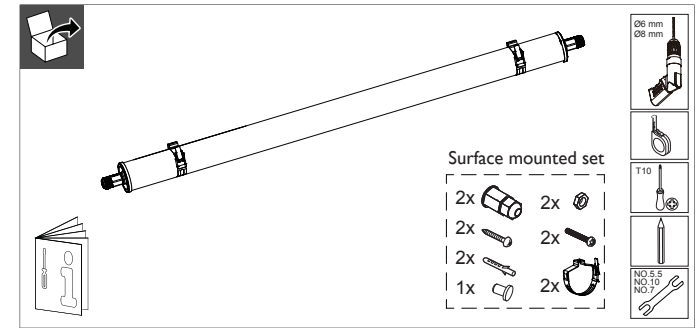
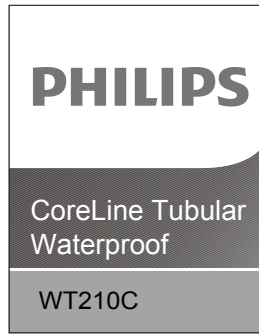
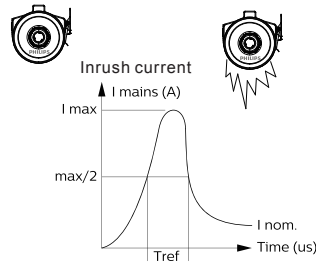


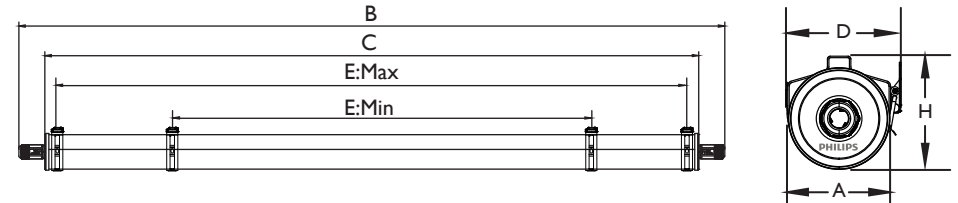
- Do not look directly at led light for a long time to avoid physical discomfort.
- The luminaire shall be installed by a qualified electrician and wired in accordance with the latest IEE electrical regulations or the national requirements.
- The light source of this luminaire is not replaceable when the light source reaches its end of life the whole luminaire shall be replaced.
- Above average concentration of sulfur affects the useful lifetime of the product. E.g: Light color changes from white to yellow.
- For use in environments where an accumulation of conductive dust on the luminaire may be expected.
- Do not install the luminaire under water.
- Do not install the luminaire in refrigeration house.
- This luminaire can be installed in ammonia environment, typically in livestock applications.
- Do not install the luminaire in the environment where vibration exists.
- For outdoor operation at a building: only when all its cables run indoor, with a maximum distance of 10 meters.
- Reference Norms: IP67 (DIN EN 60529), IP69K (ISO 20653:2013), IK06



	LED50S	LED70S	LED39S
I _{peak} [A]	20	40	25
T _{ref} [μs]	150	100	50
Max. Nr of products			
Drivers / MCB 16A type B [max.]	30	18	30
Drivers / MCB 10A type B [max.]	24	15	24
Drivers / MCB 16A type C [max.]	34	24	38
Drivers / MCB 10A type C [max.]	24	15	24



	System light output (lm)	Colour temperature (K)	Power (W)	Energy efficiency class of light source	kg
WT210C LED50S/840 PSU TWI PMMA L1200	5000	4000	39	D	1.2
WT210C LED70S/840 PSU TWI PMMA L1500	7000	4000	54	D	1.5
WT210C LED39S/840 PSU TWI PMMA L1500	3900	4000	28	D	1.5



This marking indicates that this product should not be disposed with other household wastes throughout the EU. To prevent possible harm to the environment or human health from uncontrolled waste disposal, recycle irresponsibly to promote the sustainable reuse of material resources. To return your used device, please use the return and collection systems or contact the retailer where the product was purchased. They can take this product forenvironmental safe recycling.

© 07/2022 Signify Holding. All rights reserved. This document contains information relating to the product portfolio of Signify which information may be subject to change. No representation or warranty as to the accuracy or completeness of the information included herein is given and any liability for any action in reliance thereon is disclaimed. The information presented in this document is not intended as any commercial offer and does not form part of any quotation or contract. Philips and the Philips Shield Emblem are registered trademarks of Koninklijke Philips N.V.. All other trademarks are owned by Signify Holding or their respective owners.

Signify Holding.
The Netherlands



Luminaire type	Dimensions (mm)						
	A	B	C	D	H	E:Min	E:Max
WT210C LED50S/840 PSU TWI PMMA L1200	Φ69	1340	1234	78	77	700	950
WT210C LED70S/840 PSU TWI PMMA L1500		1640	1534	78	77	1000	1250
WT210C LED39S/840 PSU TWI PMMA L1500		1640	1534	78	77	1000	1250

Order separate accessories	
Suspension mounting set (Indoor) I2NC/Description 911401867784 WT210Z SW2 EOC short: 95610099 2x [screw] 2x [washer] 2x [nut] 2x [clip] 2x [bracket] 2x [clip]	Suspension mounting set (Indoor/Outdoor) I2NC/Description: 911401867884 WT210Z SC EOC short: 95611799 2x [bracket] 2x [clip]

Printed in China
Data subject to change without notice
Keep for future reference: www.philips.com/lighting

