

A4说明书 80克双胶纸 正反面黑色印刷

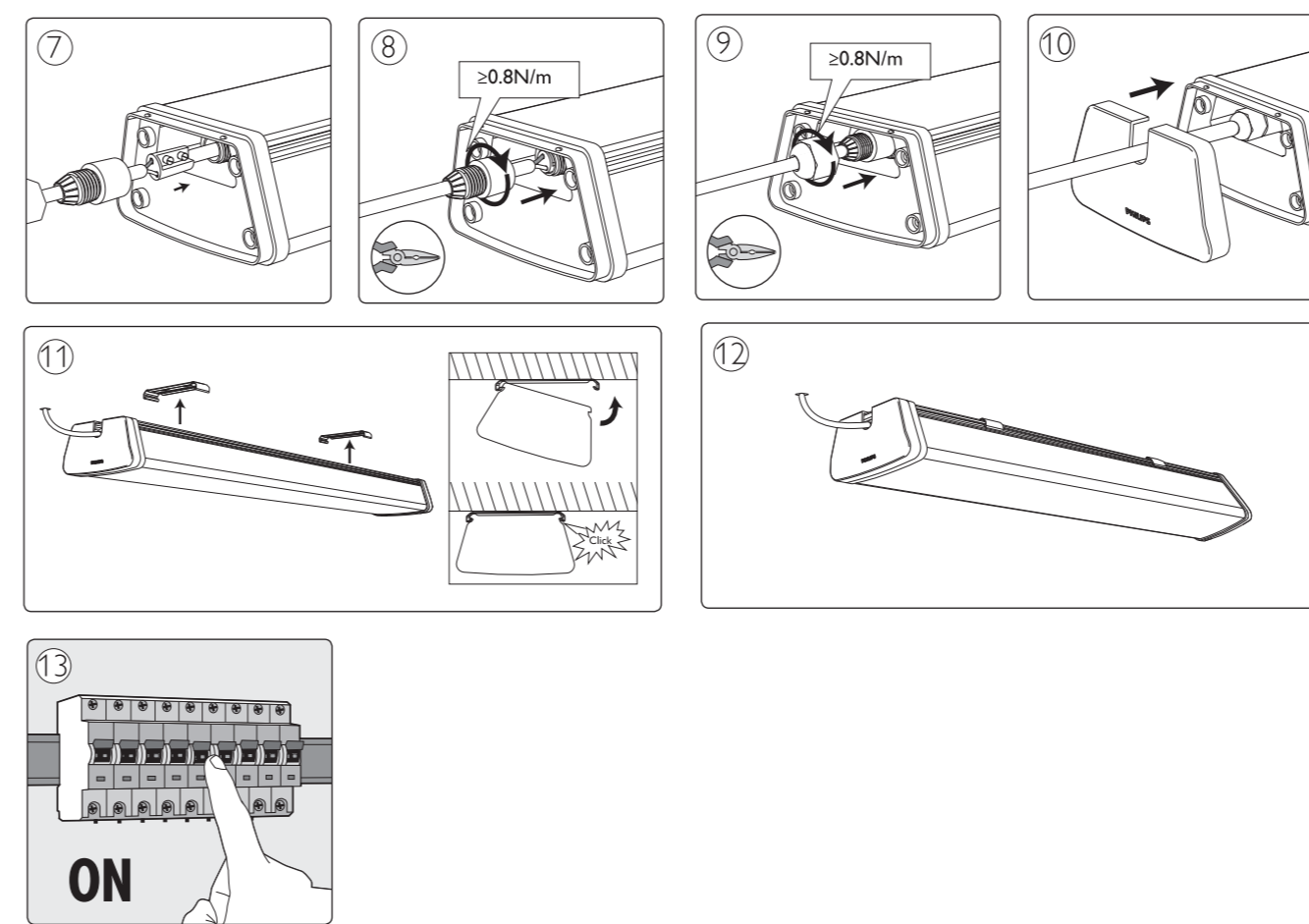
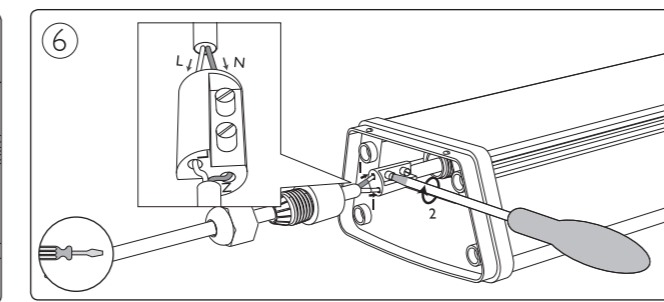
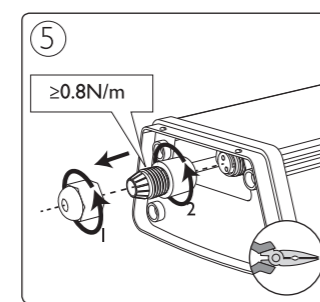
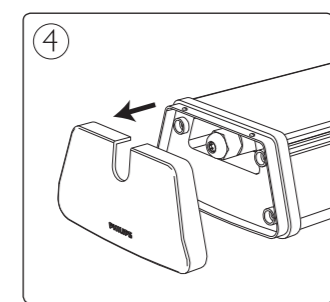
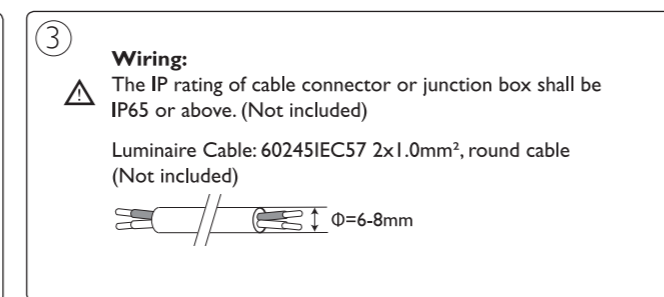
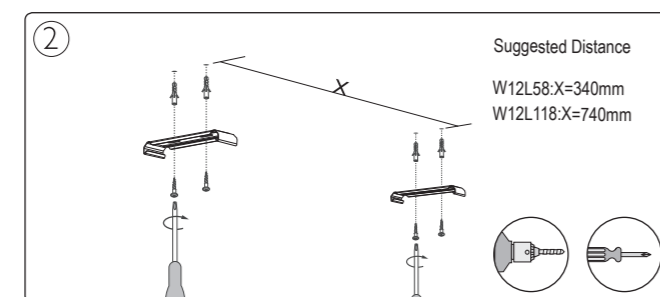
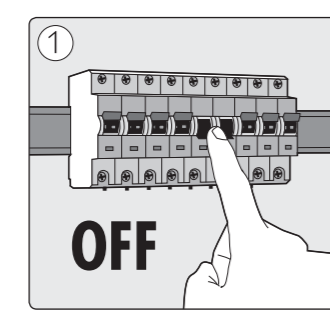
PHILIPS

Projectline
WP

Accessories included
2x 4x 4x

CE UK CA 220V/240V 50Hz/60Hz LEDs Max. 35°C Min. -10°C 15,000

Type	System lumen (Lm)	CCT	P(W)	Energy efficiency class of light source	L	kg
Projectline WP W12L58	2200lm	2700K	24W	F	575	0.75
Projectline WP W12L58	2350lm	4000K	24W	F	575	0.75
Projectline WP W12L118	5000lm	2700K	50W	F	1175	1.33
Projectline WP W12L118	5300lm	4000K	50W	F	1175	1.33



! - The luminaire shall be installed by a qualified electrician and wired in accordance with the latest IEE electrical regulations or the national requirements.
- The LED driver is not serviceable and not replaceable.
- The light source of this luminaire is not replaceable when the light source reaches its end of life. the whole luminaire shall be replaced.
- Luminaire must not be used or stored in corrosive environments where hazardous materials such as sulphur, chlorine, phthalates, etc. are present.

ATTENTION
OBSERVE PRECAUTIONS
FOR HANDLING
ELECTROSTATIC
SENSITIVE
DEVICES